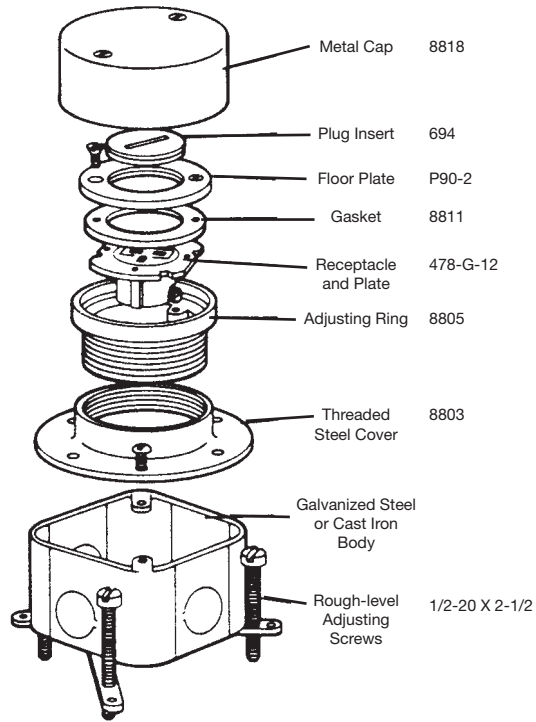


For Series 78, 88 and 98, 671 or 672 Steel City Floor Boxes



Floor Box Assembly with Floor Plate



692



695

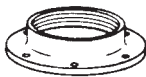
Floor Plate Plug Inserts

Cat. No.	Size or Description	Std. Ctn.
690-SC	1/2" – 14 NPS thread	4
691-SC	3/4" – 14 NPS thread	4
692-SC	1" – 11-1/2 NPS thread	4
693-SC	1-1/4" – 11-1/2 NPS thread (for use with P90-CP)	4
694	2" – 20 UN thread	4
695	1/2" – 2"	4
696-SC	3/4" – 2"	4

Catalog Numbers are for brass. For aluminum, add AL after catalog number.



8805



8803



8818

Floor Box Body Parts

Cat. No.	Description	Std. Ctn.
8805	Brass adjusting ring	4
8803	Threaded steel body cover of '78' and '88' Series	4
8818	Metal protective cap	4

2-5/8" – 20 UN 2A Thread





Gasket for Floor Plate Assembly

Cat. No.	For Use With	Std. Ctn.
8811	P-90 Series Floor Plates	4



Receptacle Plate for Short Strap Single Receptacle

Cat. No.	For Use With	Std. Ctn.
889	Series 78, 88, 98, 671, 672 Boxes	4



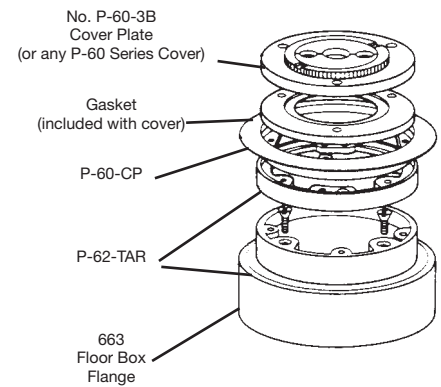
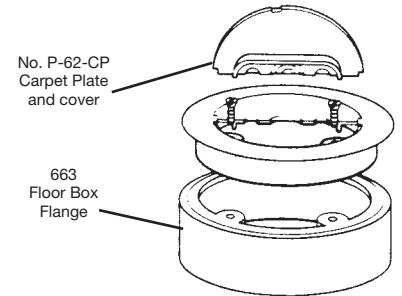
Extension Collar

Cat. No.	Description	Std. Ctn.
8805-E	Provides an extension of Floor Box throat upwards 1-1/8"; for extreme depths (7 cu. in.)	4

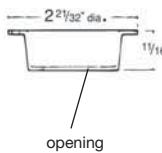
2-5/8" — 20 UN 2A Thread

Sample Assemblies

For Carpet:



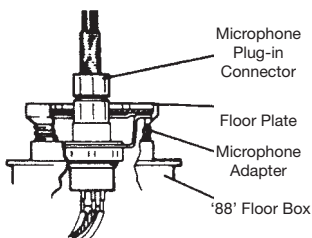
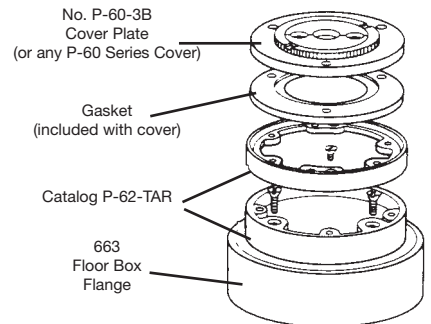
489-MA
1-1/4" dia.



Microphone Adapter for Floor Boxes

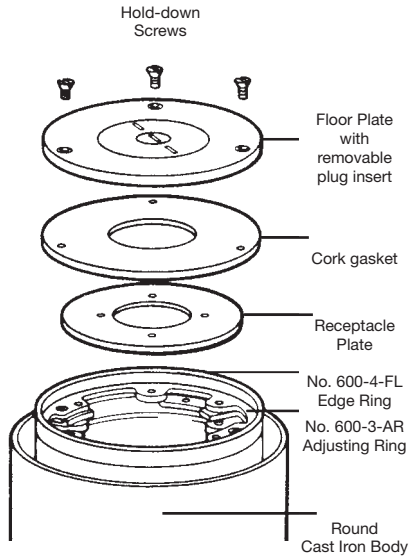
Cat. No.	Description	Std. Ctn.
489-MA	27-ga. galvanized steel with 1-1/4" dia. opening for standard microphone jacks: for Steel City Floor Box Series 78, 88, 98, and 671	4

For Tile:

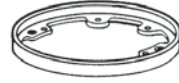


For Mounting Microphone Jacks in Floor Boxes
The Microphone Adapter installs easily in the Steel City Floor Box Tops and accommodates the microphone connector and locknut. The adapter is recessed to hold the microphone receptacle in position below the floor plate. Standard Floor Box Floor Plates, with removable 2" insert permits access to the receptacle (jack) for the microphone plug.





Trim Rings for 600 Series



Cat. No.	Description	Std. Ctn.
68P-FL-AL	Aluminum	4
68P-FL	Brass	4

Floor Plate Plug Inserts



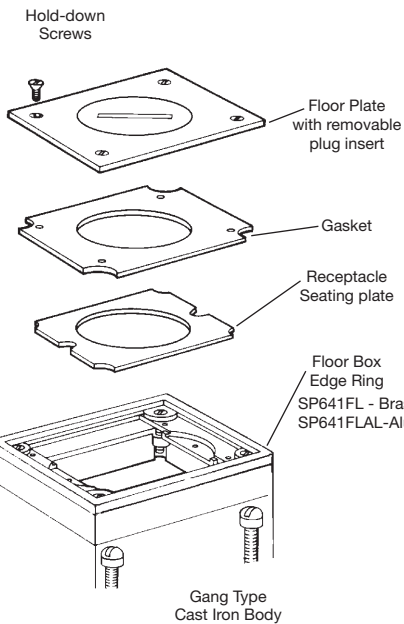
Cat. No.	Size or Description	Std. Ctn.
697 *	2-5/8"-20-UN 2A thread	4
698 *	1-7/16" for Duplex P-60-DU	4
697-AL *	2-5/8"-20-UN 2A thread	4
698-AL*	1-7/16" for Duplex P-60-DU	4

For standard plug inserts 1/2" thru 2".

* Not CSA certified



Gaskets for Floor Plate Assemblies



Cat. No.	For use With	Std. Ctn.
630-SC *	P-60 Series Floor Plate assemblies (except duplex)	4
631 *	P-60-DR, P-60-DU, P-60-DC-AL, Floor Plate assemblies	4
SP-P-60-DS-P3 *	P-60-DS Floor Plate assembly	1

* Not CSA certified



Seating Plates for Receptacles—Steel

Cat. No.	For use With	Std. Ctn.
640 *	P-64-2, P-64-1/2-2, P-64-3/4-2 Floor Plate assemblies	4

* Not CSA certified

