

## Flush Power & Communications

### FPT4 Series

The FPT4 Series provides everything you look for in a flush poke through — capacity, durability, flexibility, accessibility and aesthetics:

#### Capacity

- Four standard configurations:
  - 4 power receptacles + 4 communications devices ("4 x 4")
  - 2 power receptacles + 6 communications devices
  - 8 communications devices
  - 1 locking receptacle + 2 communications devices
- Core Drill Size: 4"

#### Durability

- Solid brass or aluminum covers protect devices from damage and debris when not in use — no exposed plastic components!
- Lid eliminates easily damaged, hard-to-use locking screws

#### Accessibility

- Full access to communications compartment through the cover without exposing power compartments — even after it's installed in the floor!
- "Straight-through" wiring of communications cabling for easy installation and changes

#### Flexibility

- Configurable design to meet any project requirements:
  - 4 standard configurations for power and communications devices
  - 20A receptacles can be wired as isolated ground (orange labels provided)
  - Communications plates available to accommodate data jacks from many manufacturers
  - Accepts Extron MAAP plates for A/V components
- Threaded conduit hubs enable all communications cabling to be enclosed in a single conduit
  - Integral 1" hub on the 4 x 4 — no extra parts needed!
  - Optional hubs available for other configurations
- Junction box features (5) 1/2" and (5) 3/4" knockouts (27 cubic inch capacity)

#### Aesthetics

- The only 4" core poke through for power and communications with the entire cover made of solid brass — features an aesthetic brushed finish!
- Solid aluminum covers also available with brushed finish or powder-coated finishes in black, gray, brown and beige to match any décor — the most colors in the industry!



4 Power +  
4 Communications  
Page 53



2 Power +  
6 Communications  
Page 54



8 Communications  
Page 54



1 Locking Receptacle  
+ 2 Communications  
Page 55



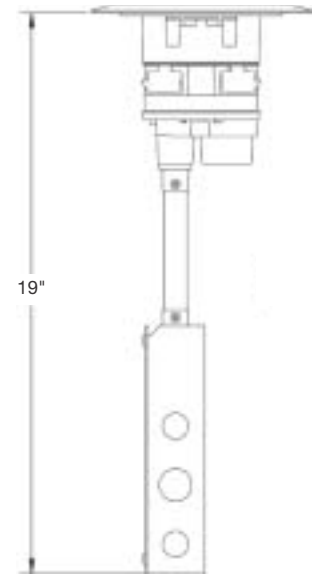
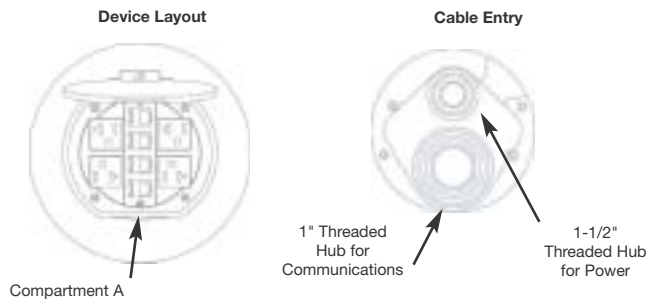
## Flush Power & Communications

### FPT4 Series (cont.)

#### Poke Through: 4 Power & 4 Communications

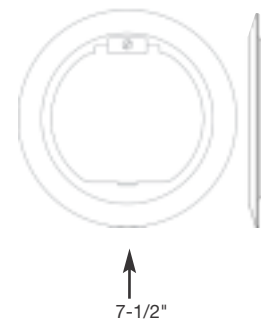
| Cat. Number    | Description                       | Std. Qty. |
|----------------|-----------------------------------|-----------|
| FPT4-4P-4C-BRS | Base with Brass Cover             | 1         |
| FPT4-4P-4C-ALM | Base with Aluminum Cover          | 1         |
| FPT4-4P-4C-BLK | Base with Black Cover             | 1         |
| FPT4-4P-4C     | Base (cover purchased separately) | 1         |

- Four 20A receptacles, two circuits, six 12 AWG wires, prewired, pigtail ends in junction box (can be wired as isolated ground, labels provided)
- Keystone Communications Device Plate with four Keystone Category 5e Data Jacks — see page 74 for optional Communications Device Plates for Compartment A
- Integral 1" threaded conduit hub for communication wiring (cast iron)



#### Poke Through Covers

| Cat. Number  | Description  | Std. Qty. |
|--------------|--|-----------|
| FPT4-CVR-BRS | Brushed Brass  | 4         |
| FPT4-CVR-ALM | Brushed Aluminum   | 4         |
| FPT4-CVR-BLK | Aluminum with Black Powder Coat Finish                                   | 4         |
| FPT4-CVR-GRY | Cover, FPT4 Series Poke Through — Aluminum with Gray Powder Coat Finish  | 4         |
| FPT4-CVR-BGE | Aluminum with Beige Powder Coat Finish                                   | 4         |
| FPT4-CVR-BRN | Cover, FPT4 Series Poke Through — Aluminum with Brown Powder Coat Finish | 4         |



- Forged solid brass and aluminum covers
- Lid closes easily without the need for locking screws

Brushed Metal Finishes

Powder Coat Finishes



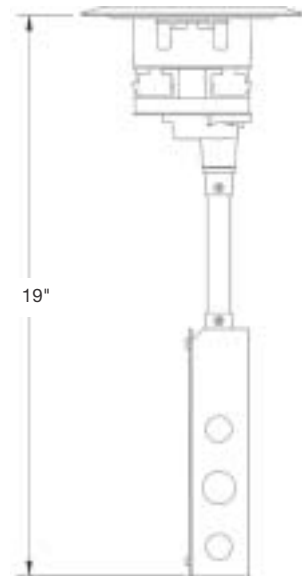
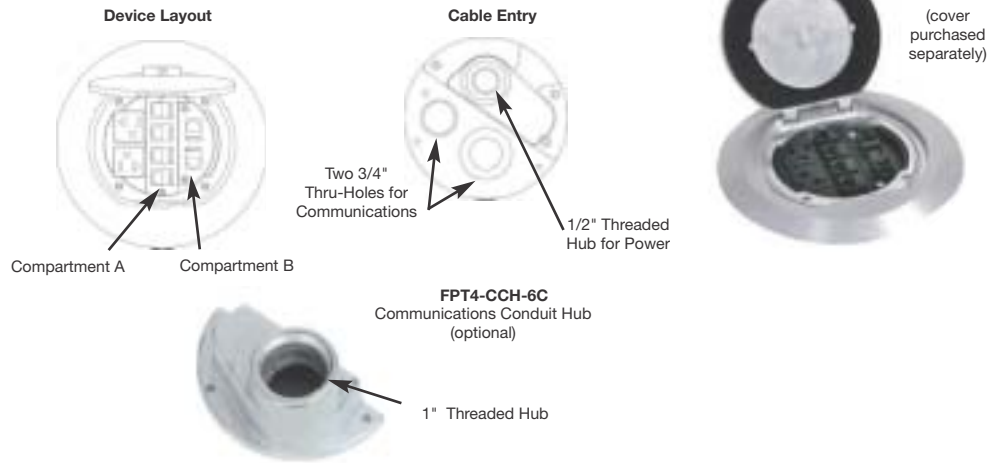
## Flush Power & Communications

### FPT4 Series (cont.)

#### Poke Through: 2 Power & 6 Communications

| Cat. Number<br>UPC Number | Description  | Std. Qty. |
|---------------------------|--|-----------|
| FPT4-2P-6C                | Poke Through Base Unit Only (cover purchased separately)               | 1         |
| FPT4-CCH-6C               | Optional 1" Threaded Conduit Hub for Communications Wiring (cast iron) | 1         |

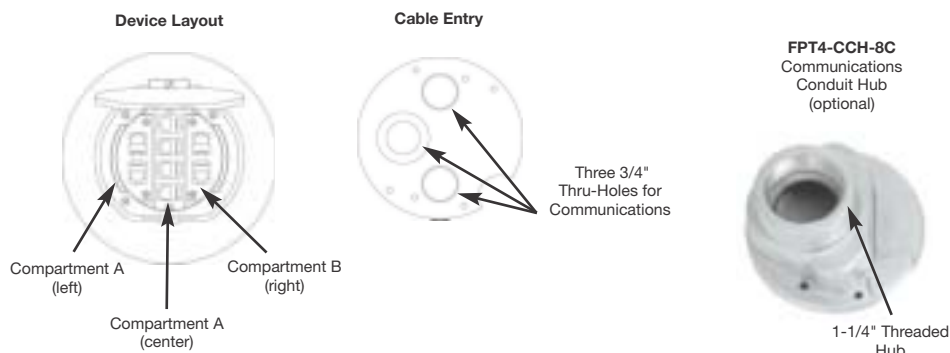
- Two 20A receptacles, one circuit, three 12 AWG wires, prewired, pigtail ends in junction box (can be wired as isolated ground, labels provided)
- Includes Keystone Communications Device Plates with six Keystone Category 5e Data Jacks — see page 74 for optional Communications Device Plates for Compartment A and Compartment B



#### Poke Through: 8 Communications

| Cat. Number | Description  | Std. Qty. |
|-------------|--|-----------|
| FPT4-8C     | Poke Through Base (cover purchased separately)                             | 1         |
| FPT4-CCH-8C | Optional 1-1/4" Threaded Conduit Hub for Communications Wiring (cast iron) | 4         |

- Keystone Communications Device Plates with eight Keystone Category 5e Data Jacks — see page 74 for optional Communications Device Plates for Compartment A and Compartment B
- No junction box



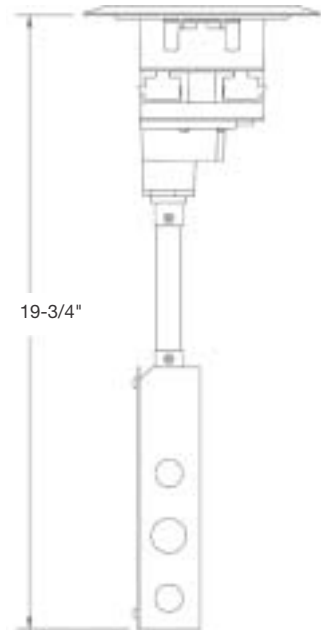
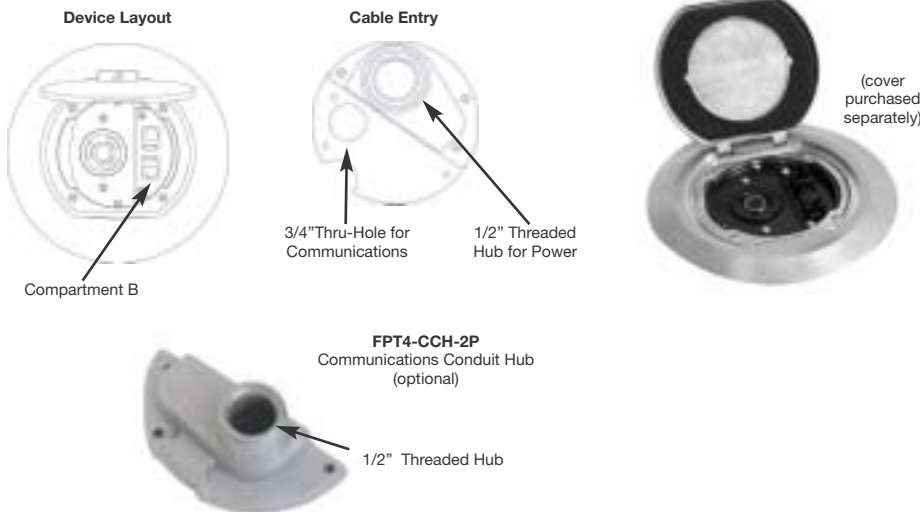
## Flush Power & Communications

### FPT4 Series (cont.)

#### Poke Through: 1 Locking Receptacle & 2 Communications

| Cat. Number   | Description  | Std. Qty. |
|---------------|--|-----------|
| FPT4-1TL21-2C | Poke Through Base, 20A/125V Locking Receptacle, 2 Communications Receptacles | 1         |
| FPT4-1TL22-2C | Poke Through Base, 20A/250V Locking Receptacle, 2 Communications Receptacles | 1         |
| FPT4-1TL31-2C | Poke Through Base, 30A/125V Locking Receptacle, 2 Communications Receptacles | 1         |
| FPT4-1TL32-2C | Poke Through Base, 30A/250V Locking Receptacle, 2 Communications Receptacles | 1         |
| FPT4-CCH-2P   | Optional 1/2" Threaded Conduit Hub for Communications Wiring (cast iron)     | 4         |

- 20A receptacle: pre-wired, three 12 AWG wires, pigtail ends in junction box
- 30A receptacle: pre-wired, three 10 AWG wires, pigtail ends in junction box
- Cover purchased separately
- Includes Keystone Communications Device Plates with two Keystone Category 5e Data Jacks — see page 74 for optional Communications Device Plates for Compartment B



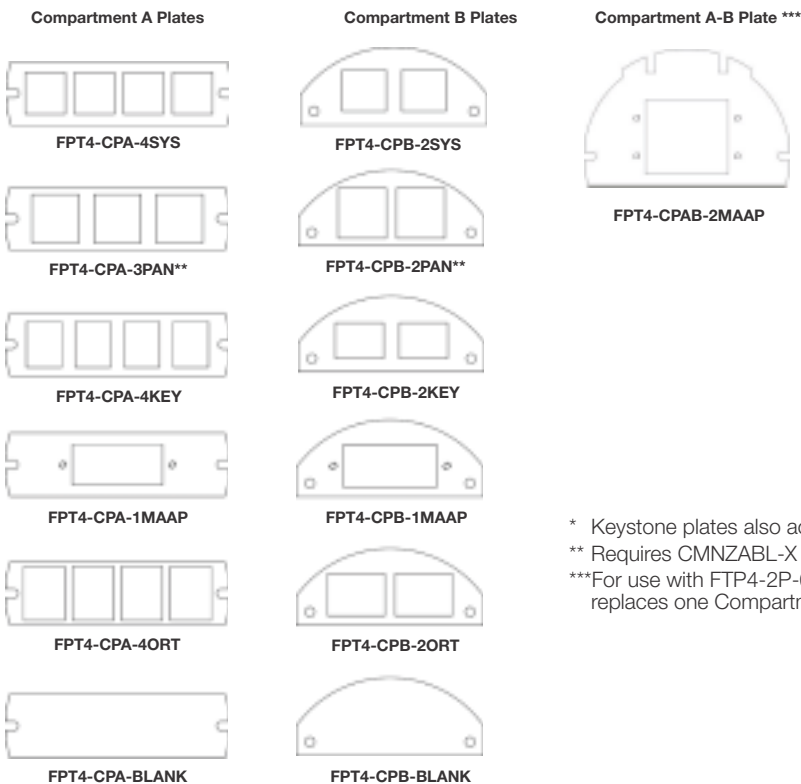
## Flush Power & Communications

### FPT4 Series (cont.)

#### Optional Communications Device Plates

| Cat. Number     | Application                      | Compartment     | Std. Qty. |
|-----------------|----------------------------------|-----------------|-----------|
| FPT4-CPA-4KEY   | 4 Keystone Jacks                 | Compartment A*  | 4         |
| FPT4-CPA-4SYS   | 4 Systemax® Jacks                | Compartment A   | 4         |
| FPT4-CPA-3PAN   | 3 Panduit® Jacks                 | Compartment A** | 4         |
| FPT4-CPA-1MAAP  | Extron® MAAP Plate, Single Space | Compartment A   | 4         |
| FPT4-CPA-4ORT   | 4 Ortronics® Jacks               | Compartment A   | 4         |
| FPT4-CPA-BLANK  | Blank                            | Compartment A   | 4         |
| FPT4-CPB-2KEY   | 2 Keystone Jacks                 | Compartment B*  | 4         |
| FPT4-CPB-2SYS   | 2 Systemax® Jacks                | Compartment B   | 4         |
| FPT4-CPB-2PAN   | 2 Panduit® Jacks                 | Compartment B** | 4         |
| FPT4-CPB-1MAAP  | Extron® MAAP Plate, Single Space | Compartment B   | 4         |
| FPT4-CPB-2ORT   | 2 Ortronics® Jacks               | Compartment B   | 4         |
| FPT4-CPB-BLANK  | Blank                            | Compartment B   | 4         |
| FPT4-CPAB-2MAAP | Extron® MAAP Plate, Double Space | Compartment A-B | 4         |

— Device Plate only; no jacks included



\* Keystone plates also accept Leviton® and Hubbell® devices

\*\* Requires CMNZABL-X adapter from PANDUIT to mount PANDUIT® MiniCom jacks

\*\*\*For use with FPT4-2P-6C and FPT4-8C Series only; replaces one Compartment A plate and one Compartment B plate



#### Replacement Power Insert — 2 Receptacles

| Cat. Number | Description   | Std. Qty. |
|-------------|---|-----------|
| FPT4-2P-RPL | Replacement Power Insert with 18" Wire Whip — Two 20A Receptacles | 4         |

— For use with FPT4-4P-4C and FPT4-2P-6C Series Poke Through Systems



## Flush Power & Communications

### FPT3 Series

This aesthetic, easy-to-use poke through provides an ideal power and data solution — great for new construction or upgrading existing 3" core installations.

#### Features & Benefits

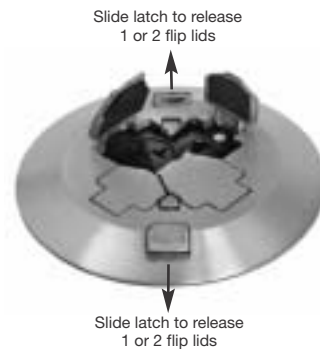
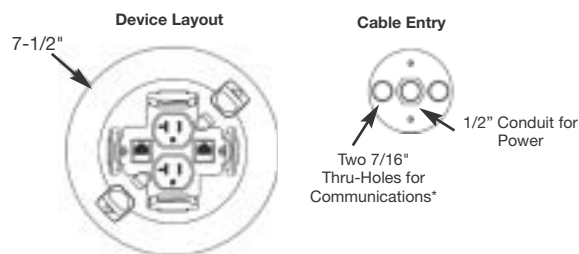
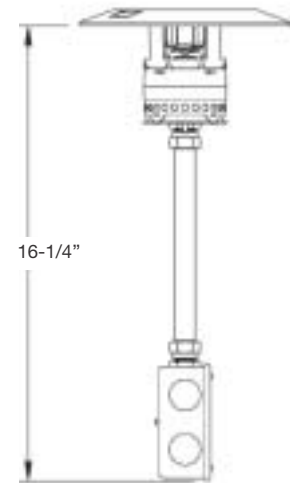
- Capacity: 1 duplex receptacle and 2 data jacks (included)
- Core drill Size: 3"
- Durable solid brass or aluminum covers protect devices from damage and debris when not in use — no exposed plastic components!
- Brushed brass and aluminum finishes provide superior aesthetics
- Powder-coated aluminum covers are available in black, gray, brown and beige to match any décor — the most colors in the industry!
- Slide latches enable tool-less access to individual receptacles — eliminates the need for hard-to-use locking screws
- Accepts Keystone, Leviton or Hubbell data jacks
- Junction box features (3) 1/2" and (4) 3/4" knockouts (13 cubic inch capacity)



### Poke Through: 2 Power & 2 Communications

| Cat. Number    | Description   | Std. Qty. |
|----------------|---|-----------|
| FPT3-2P-2C-BRS | FPT3 Series Poke Through Assembly: Base Unit with Brushed Brass Cover           | 1         |
| FPT3-2P-2C-ALM | FPT3 Series Poke Through Assembly: Base Unit with Brushed Aluminum Cover        | 1         |
| FPT3-2P-2C-BLK | FPT3 Series Poke Through Assembly: Base Unit with Black Powder Coat Cover       | 1         |
| FPT3-2P-2C     | FPT3 Series Poke Through Base Unit Only: Cover purchased separately (see below) | 1         |

- Includes (1) 20A duplex receptacle, pre-wired, pigtail ends in junction box
- Includes (2) Leviton® Cat-5e data jacks



### Poke Through Covers

| Cat. Number  | Description                            | Std. Qty. |
|--------------|--|-----------|
| FPT3-CVR-BRS | Sold Brass, Brushed Finish             | 4         |
| FPT3-CVR-ALM | Solid Aluminum, Brushed Finish         | 4         |
| FPT3-CVR-BLK | Aluminum with Black Powder Coat Finish | 4         |
| FPT3-CVR-GRY | Aluminum with Gray Powder Coat Finish  | 4         |
| FPT3-CVR-BGE | Aluminum with Beige Powder Coat Finish | 4         |
| FPT3-CVR-BRN | Aluminum with Brown Powder Coat Finish | 4         |

— See page 53 to view typical brushed metal and powder coat finishes



## Flush Power & Communications

### FPT Series

Steel City's popular FPT Poke Through Series provides an economical solution for installing a duplex receptacle in an existing floor — right where you need it.

#### Features & Benefits

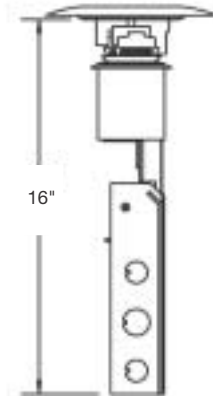
- Capacity: 1 duplex receptacle
- Core Drill Size: 3"
- Brushed brass and aluminum covers provide superior aesthetics and durability
- Non-metallic covers are available in black, gray, beige and brown
- Non-metallic covers include openings for 3 communications cables
- Integral junction box features (5) 1/2" and (5) 3/4" knockouts (27 cubic inch capacity)



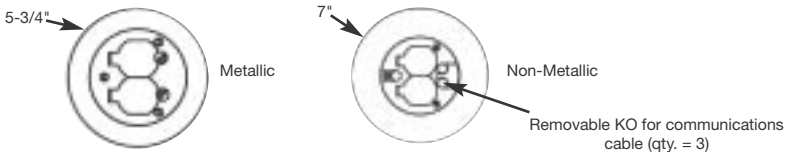
### Poke Through: 2 Power

| Cat. Number   | Description   | Std. Qty. |
|---------------|---|-----------|
| FPT449        | Base Unit with Solid Brass Cover                          | 1         |
| FPT450        | Base Unit with Solid Aluminum Cover                       | 1         |
| FPT445-SW-BLK | Base Unit with Black Non-Metallic Cover                   | 1         |
| FPT445-SW-GRY | Base Unit with Gray Non-Metallic Cover                    | 1         |
| FPT445-SW-BGE | Base Unit with Beige Non-Metallic Cover                   | 1         |
| FPT445-SW-BRN | Base Unit with Brown Non-Metallic Cover                   | 1         |
| FPT400B       | Base Unit Only (no duplex):<br>Cover purchased separately | 1         |

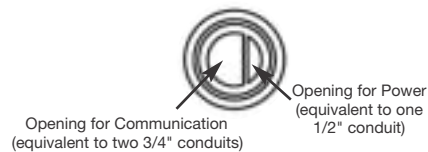
— Assembled units include (1) 20A duplex receptacle, pre-wired with pig-tail ends in junction box



#### Device Layout



#### Cable Entry



### Poke Through Covers

| Cat. Number   | Description                                     | Std. Qty. |
|---------------|---|-----------|
| FPT-CACP      | Solid Brass, Brushed Finish, 5-3/4" Diameter    | 10        |
| FPT-CACP-AL   | Solid Aluminum, Brushed Finish, 5-3/4" Diameter | 10        |
| FPT441-SW-BLK | Black, Non-Metallic, 7" Diameter                | 10        |
| FPT441-SW-GRY | Gray, Non-Metallic, 7" Diameter                 | 10        |
| FPT441-SW-BGE | Beige, Non-Metallic, 7" Diameter                | 10        |
| FPT441-SW-BRN | Brown, Non-Metallic, 7" Diameter                | 10        |

— Non-metallic covers feature 3 openings for communications cables

#### Brushed Metal Finishes



FPT-CACP

FPT-CACP-AL

#### Non-Metallic Colors and Finishes



FPT-441-SW-BLK

FPT-441-SW-GRY

FPT-441-SW-BGE

FPT-441-SW-BRN



# Modular Poke-Through System

**Steel City®**

## Furniture Feed

### FFPT4 Series

With limitations on the number of holes that can be drilled in a floor, it is important to maximize the capacity of each location. The FFPT4 Series provides high capacity for both power wiring and communications cabling when feeding modular furniture — in a single core drill location!

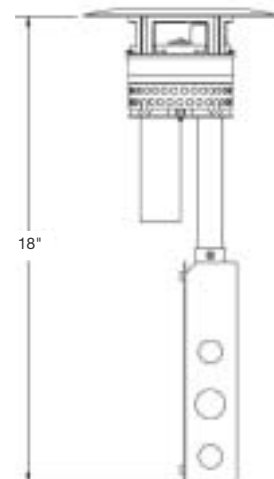
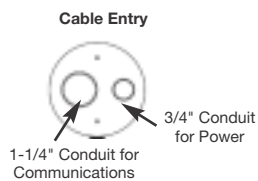
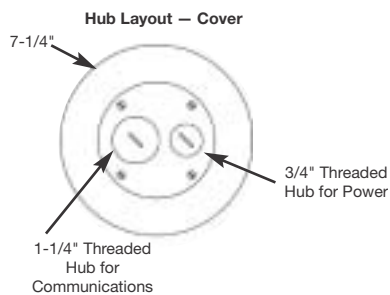
#### Features & Benefits

- Capacity: 3/4" hub for power wiring and 1-1/4" hub for communications cabling (plugs included)
- Core Drill Size: 4"
- Solid brass and aluminum finishes provide superior aesthetics and durability
- Powder-coated aluminum covers are available in black, gray, brown and beige to match any décor — the most colors in the industry!
- Integral junction box features (5) 1/2" and (5) 3/4" knockouts (27 cubic inch capacity)



## Poke Through

| Cat. Number | Description                              | Std. Qty. |
|-------------|--|-----------|
| FFPT4-BRS   | Base Unit with Brushed Brass Cover       | 1         |
| FFPT4-ALM   | Base Unit with Brushed Aluminum Cover    | 1         |
| FFPT4-BLK   | Base Unit with Black Powder Coat Cover   | 1         |
| FFPT4       | Cover purchased separately (see page 60) | 1         |



## Furniture Feed

### FFPT4 Series (cont.)

#### Poke Through Covers

| Cat. Number   | Description                            | Std. Qty. |
|---------------|--|-----------|
| FFPT4-CVR-BRS | Solid Brass, Brushed Finish            | 4         |
| FFPT4-CVR-ALM | Solid Aluminum, Brushed Finish         | 4         |
| FFPT4-CVR-BLK | Aluminum with Black Powder Coat Finish | 4         |
| FFPT4-CVR-GRY | Aluminum with Gray Powder Coat Finish  | 4         |
| FFPT4-CVR-BGE | Aluminum with Beige Powder Coat Finish | 4         |
| FFPT4-CVR-BRN | Aluminum with Brown Powder Coat Finish | 4         |

— See page 53 to view typical brushed metal and powder coat colors and finishes



#### Replacement Plug Kits

| Cat. Number   | Description   | Std. Qty. |
|---------------|---|-----------|
| FFPT4-RPK-BRS | FFPT4 Replacement Plug Kit — Solid Brass, Brushed Finish            | 4         |
| FFPT4-RPK-ALM | FFPT4 Replacement Plug Kit — Solid Aluminum, Brushed Finish         | 4         |
| FFPT4-RPK-BLK | FFPT4 Replacement Plug Kit — Aluminum with Black Powder Coat Finish | 4         |
| FFPT4-RPK-GRY | FFPT4 Replacement Plug Kit — Aluminum with Gray Powder Coat Finish  | 4         |
| FFPT4-RPK-BGE | FFPT4 Replacement Plug Kit — Aluminum with Beige Powder Coat Finish | 4         |
| FFPT4-RPK-BRN | FFPT4 Replacement Plug Kit — Aluminum with Brown Powder Coat Finish | 4         |

— Replacement plug kit includes (1) 3/4" plug and (1) 1-1/4" plug



# Modular Poke-Through System

# Steel City®

## Furniture Feed

### FFPT3 Series

When feeding large bundles of communications cables through a fire-rated floor, the FFPT3 Series provides a high-capacity, straight-through wiring solution. It can also be used for power wiring.

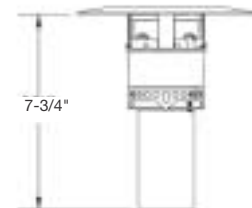
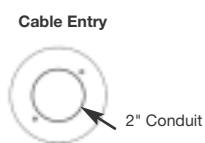
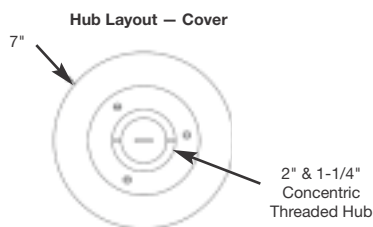
#### Features & Benefits

- Capacity: Concentric 1-1/4" and 2" hub for power or communications wiring (plugs included)
- Core Drill Size: 3"
- Solid brass and aluminum finishes provide superior aesthetics and durability
- Powder-coated aluminum covers are available in black, gray, brown and beige to match any décor — the most colors in the industry!
- Junction box not included



## Poke Through

| Cat. Number | Description  | Std. Qty. |
|-------------|--|-----------|
| FFPT3-BRS   | Base Unit with Brushed Brass Cover                       | 1         |
| FFPT3-ALM   | Base Unit with Brushed Aluminum Cover                    | 1         |
| FFPT3-BLK   | Base Unit with Black Powder Coat Cover                   | 1         |
| FFPT3       | Base Unit Only: Cover purchased separately (see page 62) | 1         |



## Furniture Feed

### FFPT3 Series (cont.)

#### Poke Through Covers

| Cat. Number   | Description                                    | Std. Qty. |
|---------------|--|-----------|
| FFPT3-CVR-BRS | Cover — Solid Brass, Brushed Finish            | 4         |
| FFPT3-CVR-ALM | Cover — Solid Aluminum, Brushed Finish         | 4         |
| FFPT3-CVR-BLK | Cover — Aluminum with Black Powder Coat Finish | 4         |
| FFPT3-CVR-GRY | Cover — Aluminum with Gray Powder Coat Finish  | 4         |
| FFPT3-CVR-BGE | Cover — Aluminum with Beige Powder Coat Finish | 4         |
| FFPT3-CVR-BRN | Cover — Aluminum with Brown Powder Coat Finish | 4         |

— See page 57 to view typical brushed metal and powder coat colors and finishes



#### Replacement Plug Kits

| Cat. Number   | Description   | Std. Qty. |
|---------------|---|-----------|
| FFPT3-RPK-BRS | Replacement Plug Kit — Solid Brass, Brushed Finish            | 4         |
| FFPT3-RPK-ALM | Replacement Plug Kit — Solid Aluminum, Brushed Finish         | 4         |
| FFPT3-RPK-BLK | Replacement Plug Kit — Aluminum with Black Powder Coat Finish | 4         |
| FFPT3-RPK-GRY | Replacement Plug Kit — Aluminum with Gray Powder Coat Finish  | 4         |
| FFPT3-RPK-BGE | Replacement Plug Kit — Aluminum with Beige Powder Coat Finish | 4         |
| FFPT3-RPK-BRN | Replacement Plug Kit — Aluminum with Brown Powder Coat Finish | 4         |

— Replacement plug kit includes (1) concentric 2" & 1-1/4" plug



# Modular Poke-Through System

**Steel City**<sup>®</sup>

## Furniture Feed

### FPT Furniture Feed Series

With three conduit hubs for power and communications and an integral junction box, the FPT Series provides a flexible, cost-effective furniture feed solution.

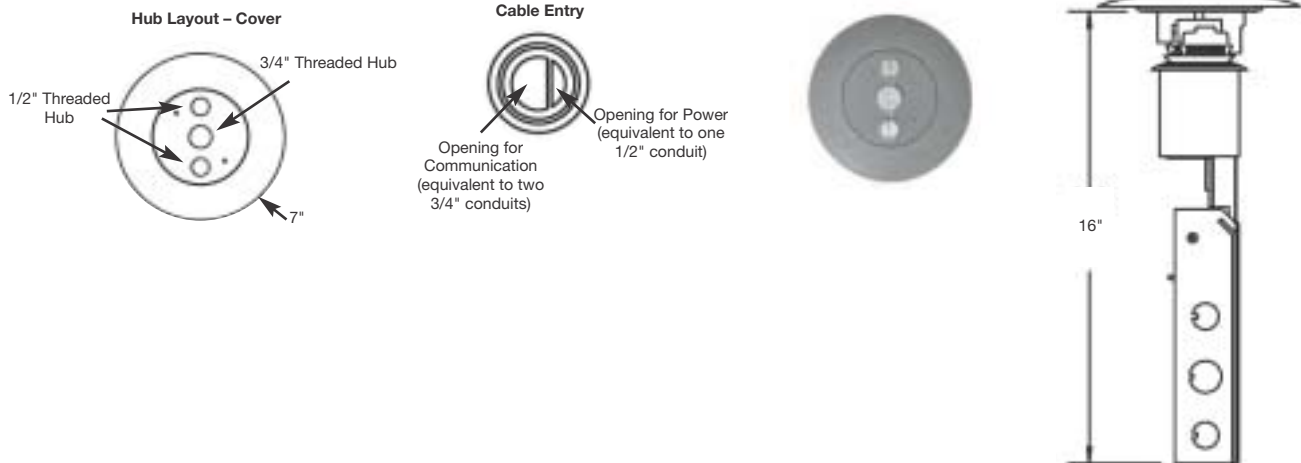
#### Features & Benefits

- Capacity: (2) 1/2" hubs and (1) 3/4" hub for power and data (plugs included)
- Core Drill Size: 3"
- Non-metallic covers are available in black, gray, beige and brown
- Provided with Steel City die cast fittings for flexible metal conduit: (2) 1/2" and (1) 3/4"
- Integral junction box features (5) 1/2" and (5) 3/4" knockouts (27 cubic inch capacity)



### Poke Through

| Cat. Number   | Description                             | Std. Qty. |
|---------------|---|-----------|
| FPT448-SW-BLK | Base Unit with Black Non-Metallic Cover | 1         |
| FPT448-SW-GRY | Base Unit with Gray Non-Metallic Cover  | 1         |
| FPT448-SW-BGE | Base Unit with Beige Non-Metallic Cover | 1         |
| FPT448-SW-BRN | Base Unit with Brown Non-Metallic Cover | 1         |
| FPT400B       | Cover purchased separately (see below)  | 1         |



### Poke Through Covers

| Cat. Number   | Description                              | Std. Qty. |
|---------------|--|-----------|
| FPT442-SW-BLK | Cover — Black, Non-Metallic, 7" Diameter | 10        |
| FPT442-SW-GRY | Cover — Gray, Non-Metallic, 7" Diameter  | 10        |
| FPT442-SW-BGE | Cover — Beige, Non-Metallic, 7" Diameter | 10        |
| FPT442-SW-BRN | Cover — Brown, Non-Metallic, 7" Diameter | 10        |

— See page 53 to view typical non-metallic cover colors and finishes



## Above Floor Pedestals

### FPT Pedestal Series

By mounting all outlets above floor level and at a 90° angle to the floor, the FPT Pedestal Series protects power receptacles and communications devices from dirt and debris. An overhanging housing provides additional protection for the outlets.

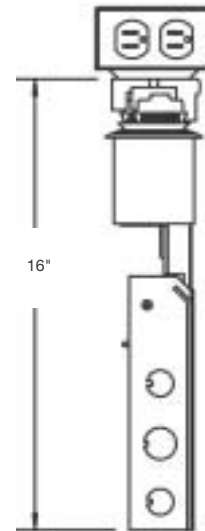
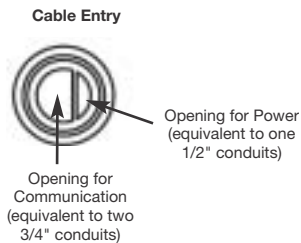
#### Features & Benefits

- Pedestals available in 2 compartment and 4 compartment for power and communications applications
- Core Drill Size: 3"
- Housings and device plates feature a brushed aluminum finish
- Integral junction box features (5) 1/2" and (5) 3/4" knockouts (27 cubic inch capacity)



### Poke Through

| Cat. Number | Description   | Std. Qty. |
|-------------|---|-----------|
| FPT401A     | FPT Pedestal, accepts 2 device plates, poke through base unit purchased separately (2-5/8" high, 4" wide, 4-7/8" deep)  | 10        |
| FPT421      | FPT Pedestal, accepts 4 device plates, poke through base unit purchased separately, (2-5/8" high, 4" wide, 4-7/8" deep) | 5         |
| FPT400B     | FPT Poke Through Base Unit Only   | 1         |



### Device Plates & Accessories

| Cat. Number | Description   | Std. Qty. |
|-------------|---|-----------|
| FPT424      | Duplex device plate, aluminum with anodized finish                          | 50        |
| FPT425      | Blank device plate, aluminum with anodized finish                           | 50        |
| OPOD4-WH    | 4-port "106" duplex adapter for keystone jacks (for use with FPT-424 plate) | 100       |
| FPT408A     | Voltage divider for FPT-401A pedestal                                       | 10        |
| FPT422A     | Voltage divider for FPT-421 pedestal  | 10        |
| FPT416      | Adapter for conduit stub ups  | 50        |



## FPT4 Poke Through

| Cat. Number     | Description  | Std. Qty. |
|-----------------|--|-----------|
| FPT4-4P-4C-C    | Base Unit Only, 4 20A Power Receptacles, 4 Communications Devices        | 1         |
| FPT4-2P-6C-C    | Base Unit Only, 2 20A Power Receptacles, 6 Communications Devices        | 1         |
| FPT4-8C-C       | Base Unit Only, 8 Communications Devices                                 | 1         |
| FPT4-1TL21-2C-C | Base Unit Only, 20A/125V Twist Lock Receptacle, 2 Communications Devices | 1         |
| FPT4-1TL22-2C-C | Base Unit Only, 20A/250V Twist Lock Receptacle, 2 Communications Devices | 1         |
| FPT4-1TL31-2C-C | Base Unit Only, 30A/125V Twist Lock Receptacle, 2 Communications Devices | 1         |
| FPT4-1TL32-2C-C | Base Unit Only, 30A/250V Twist Lock Receptacle, 2 Communications         | 1         |

- Covers purchased separately, see page 53
- All base units include appropriate communications conduit hub
- All base units include appropriate Keystone Communications Device Plate and Category 5e Keystone Data Jacks, see page 74 for additional device plates
- Power junction box not included



## FPT3 Poke Through

| Cat. Number  | Description   | Std. Qty. |
|--------------|---|-----------|
| FPT3-2P-2C-C | Base Unit Only, 1 20A Duplex Receptacle, 2 Communications | 1         |

- Covers purchased separately, see page 57
- Includes (1) 20A duplex receptacle, pre-wired
- Includes (2) Cat-5e data jacks
- Power junction box not included



## Technical Specifications

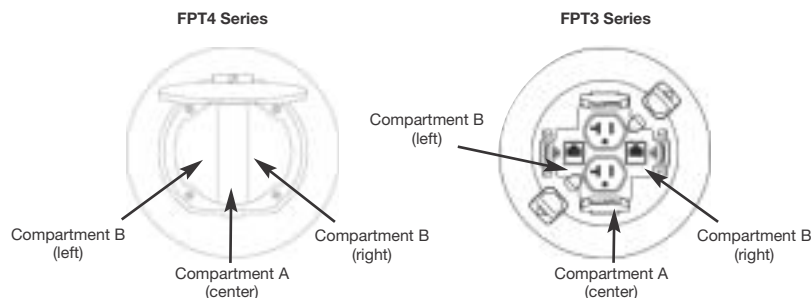
### Fire Rating and Concrete Thickness Min./Max. (all series)

- For use in 1, 1-1/2 and 2-hour rated floors
- 1-Hour Rated Floor
  - 2-1/4" minimum concrete over steel decking
  - 3" minimum concrete for reinforced slab
  - 7-1/2" maximum concrete thickness
- 2-Hour Rated Floor
  - 3-1/4" minimum concrete over steel decking
  - 4" minimum concrete for reinforced slab
  - 7-1/2" maximum concrete thickness

### Poke Through Systems - Flush Power & Communications

Maximum Allowable Copper Cross-Sectional Area for Communications Cabling

| Poke Through Series | Compartment B (Left) | Compartment A (Center) | Compartment B (Right) |
|---------------------|----------------------|------------------------|-----------------------|
| FPT4-4P-4C          | Power                | .01630 sq. in.         | Power                 |
| FPT4-2P-6C          | Power                | .01630 sq. in.         | .01536 sq. in.        |
| FPT4-8C             | .01536 sq. in.       | .01630 sq. in.         | .01536 sq. in.        |
| FPT4-1TL-2C         | Power                | Power                  | .01536 sq. in.        |
| FPT3-2P-2C          | .00321 sq. in.       | Power                  | .00321 sq. in.        |



### Materials

- **FPT4 Series**
  - Covers: Solid Brass or Aluminum
  - Conduit Hubs: Cast Iron
  - Base: Die-Cast Zinc, Galvanized Steel & Intumescent Fire-Stop Material
  - Junction Box: Galvanized Steel
- **FPT3 Series**
  - Covers: Solid Brass or Aluminum
  - Base: Die-Cast Zinc, Galvanized Steel & Intumescent Fire-Stop Material
  - Junction Box: Galvanized Steel
- **FPT Flush/Furniture Feed/Pedestal Series**
  - Covers: Solid Brass or Aluminum, Non-Metallic — Polycarbonate
  - Base: Phenolic, Galvanized Steel & Intumescent Fire-Stop Material
  - Junction Box: Galvanized Steel
- **FFPT4 Series**
  - Covers: Solid Brass or Aluminum
  - Base: Die-Cast Zinc, Galvanized Steel & Intumescent Fire-Stop Material
  - Junction Box: Galvanized Steel
- **FFPT3 Series**
  - Covers: Solid Brass or Aluminum
  - Base: Die-Cast Zinc, Galvanized Steel & Intumescent Fire-Stop Material

### Installation Spacing

- Minimum of 2 ft. on center
- Not more than one poke through per 65 sq. ft. of floor area in each span

### Maximum Allowable Copper Cross-Sectional Area for Communications Cabling — Furniture Feed Poke Through Systems

- **FFPT4 Series**
  - 3/4" Hub for Power: .08192 sq. in.
  - 1-1/4" Hub for Communications: .07168 sq. in.
- **FFPT3 Series**
  - 2" Hub for Power or Communications: .1024 sq. in.

Cross-Sectional Area for Common Copper Conductors

|        |                |
|--------|----------------|
| 24 AWG | .00032 sq. in. |
| 22 AWG | .00050 sq. in. |
| 14 AWG | .00323 sq. in. |
| 12 AWG | .00512 sq. in. |
| 10 AWG | .00615 sq. in. |
| 8 AWG  | .01296 sq. in. |

Solid or stranded wires

### RPT Series

The RPT Series has been superseded by the FPT4 Series:

| RPT Series | FPT4 Series |
|------------|-------------|
| RPT-4P-2RJ | FPT4-4P-4C  |
| RPT-2P-4RJ | FPT4-2P-6C  |
| RPT-6RJ    | FPT4-8C     |





## More Options Means The T&B Steel City® Poke-Through System Fits In Everywhere Today. And Tomorrow.

With more materials, colors, and port combinations to choose from, the T&B Steel City® Poke-Through System gives you the flexibility you need to meet the demands of changing office environments now and in the future. Our Poke-Through accepts both flush-profile covers and above-floor assemblies. The Steel City® Poke-Through's design also makes retrofitting a snap.

Choose from a wide variety of metallic and non-metallic covers and service head fittings to perfectly suit your particular application. Whether using a pre-wired power version or a combination service fitting, the Steel City® Poke-Through System will make installation quick and easy and offer the maximum flexibility to adapt to your changing needs.

## Features Of The T&B Steel City® Poke-Through System.

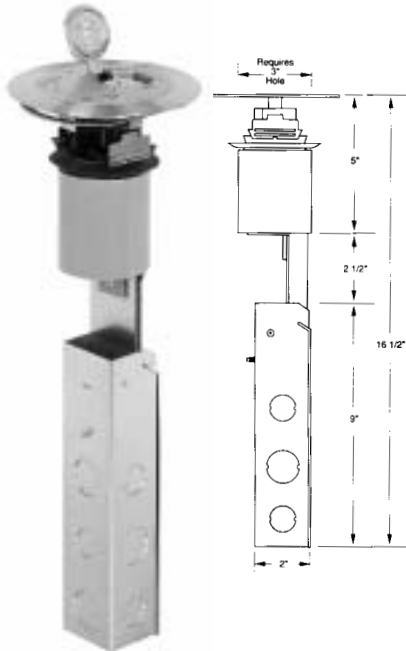
- Stainless steel retaining clips prevent rotating, loosening and backing out of lower unit.
- Factory assembled junction box allows "drop-in" installation, significantly reducing labor and installation time.
- 27 cu. in. junction box capacity allows up to 12 #12 AWG conductors.
- Junction box designed with five 1/2" and five 3/4" KOs provide flexibility when installing lower unit. Bottom 3/4" KO allows field adaptability to any floor thickness with use of standard conduit and fittings.
- Low voltage channel equivalent to 1-1/4" conduit capacity provide the largest capacity for low voltage cables in the industry. Low voltage channel will accept up to one 50 pair, 24 AWG cable.
- Elastomer ring provides cold smoke protection at installation.
- Universal mounting system unit allows changes to service fittings without removing lower unit.
- Non-metallic flush covers available in five designer colors. Furnished with duplex flip lids and three data ports.
- Non-metallic furniture feed covers provided with two 1/2" and one 3/4" tapped hub and fittings. Available in five designer colors.
- Metallic flush covers available in brushed aluminum and polished brass. Furnished with locking flip lids for use with power or voice/data devices.
- Low profile Designer Series service fittings (DLP- Series) available in single and double power configurations along with combinations providing both power and communications. Available in gray, ivory or beige.
- Built-in slide covers (DLP- Series) protect and enhance the pedestal's appearance while opening easily.
- Communication compartment lid flips open when in use and close when not in use (DLP- covers only).
- Standard metallic service fittings made from cast aluminum with a brushed aluminum finish. Available in single, two and four gang configurations.
- Brushed aluminum face plates are ordered separately, allowing customization for particular applications. See page 70 for full description of available service plates.



## Poke-Through System Components

| Cat. No.                  | Description  | Std. Ctn. |
|---------------------------|--|-----------|
| FPT445-SW-BRS             | Base with FPT441-BRS cover; prewired 20A duplex recept.  | 1         |
| FPT445-SW-GRY             | Base with FPT441-GRY cover; prewired 20A duplex recept.  | 1         |
| FPT445-SW-BRN             | Base with FPT441-BRN cover; prewired 20A duplex recept.  | 1         |
| FPT445-SW-BLK             | Base with FPT441-BLK cover; prewired 20A duplex recept.  | 1         |
| FPT445-SW-IVY             | Base with FPT441-IVY cover; prewired 20A duplex recept.  | 1         |
| FPT448-SW-BRS             | Base with FPT442-BRS cover                               | 1         |
| FPT448-SW-GRY             | Base with FPT442-GRY cover                               | 1         |
| FPT448-SW-BRN             | Base with FPT442-BRN cover                               | 1         |
| FPT448-SW-BLK             | Base with FPT442-BLK cover                               | 1         |
| FPT449                    | Base with FPT-CACP cover; prewired 20A duplex recept.    | 1         |
| FPT450                    | Base with FPT-CACP-AL cover; prewired 20A duplex recept. | 1         |
| FPT-H6-CRT <sup>(1)</sup> | 6-Circuit Furniture Whip Poke-Thru                       | 1         |

<sup>(1)</sup> 3/4" and 1" KO for power and data respectively. Junction box has abundant room for splicing (71.5 cu.in.). For use in 3"-6" thick concrete slab or 1-1/2"-3" concrete topped steel deck.



FPT-400B



FPT-H6-CRT

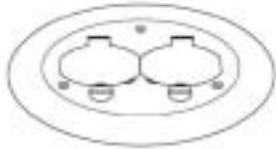


FPT400 DATA  
(Cover not included)

## FTP Poke-Through Base Units

| Cat. No.    | Description                              | Std. Ctn. |
|-------------|--|-----------|
| FPT400B     | Lower Unit for 3" Core—No Cover Included | 1         |
| FPT400-DATA | Data Only Poke-Thru                      | 1         |

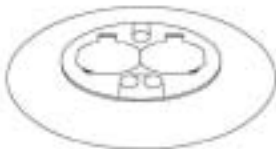




**FPT-CACP  
FPT-CACP-AL**  
Metallic Covers  
5-3/4" Dia.



**FPT-3/4-2-CACP**  
Metallic Covers  
5-3/4" Dia.



**FPT441 Series**  
Non-Metallic Covers  
7" Dia.



**FPT442 Series**  
Non-Metallic Covers  
(Two 1/2" Hubs & One 3/4" Hub)  
7" Dia.

## Metallic Covers for FPT Poke-Through

| Cat. No.        | Description   | Std. Ctn. |
|-----------------|---|-----------|
| FPT442          | Flush Top for Furniture Whip—(1) 1" KO & (1) 3/4" KO Duplex, Alum. Metallic | 10        |
| FPT-CACP        | Brass Metallic Flush Cover –Duplex  | 10        |
| FPT-CACP-AL     | Aluminum Metallic Flush Cover –Duplex                                       | 10        |
| FPT-3/4-2-CACP  | Brass Metallic Cover with 3/4" and 2" plugs                                 | 10        |
| FPT-CACP-AL-1/2 | Aluminum Metallic Flush Cover - 1/2 plug                                    | 10        |

## Non-Metallic Covers for FPT Poke-Through

| Cat. No.      | Description                                | Std. Ctn. |
|---------------|--|-----------|
| FPT441-SW-BRS | Brass Color Flush Cover–Duplex, Data Ports | 10        |
| FPT441-SW-GRY | Gray Color Flush Cover–Duplex, Data Ports  | 10        |
| FPT441-SW-BRN | Brown Color Flush Cover–Duplex, Data Ports | 10        |
| FPT441-SW-BLK | Black Color Flush Cover–Duplex, Data Ports | 10        |
| FPT441-SW-IVY | Ivory Color Flush Cover–Duplex, Data Ports | 10        |
| FPT442-SW-BRS | Brass Color Flush Cover–Conduit Cover      | 10        |
| FPT442-SW-GRY | Gray Color Flush Cover–Conduit Cover       | 10        |
| FPT442-SW-BRN | Brown Color Flush Cover–Conduit Cover      | 10        |
| FPT442-SW-BLK | Black Color Flush Cover–Conduit Cover      | 10        |
| FPT442-SW-IVY | Ivory Color Flush Cover–Conduit Cover      | 10        |

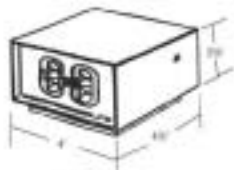
## FPT Poke-Through Accessories

| Cat. No. | Description   | Std. Ctn. |
|----------|---|-----------|
| FPT410A  | Brass Color Non-metallic Flush Cover–Duplex, Data Ports | 10        |
| FPT415   | Gray Color Non-metallic Flush Cover–Duplex, Data Ports  | 10        |

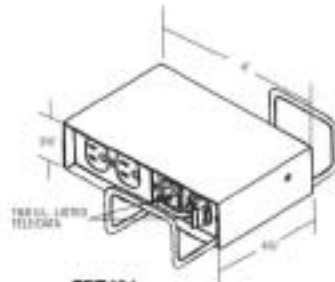


## Above-Floor Service Fittings

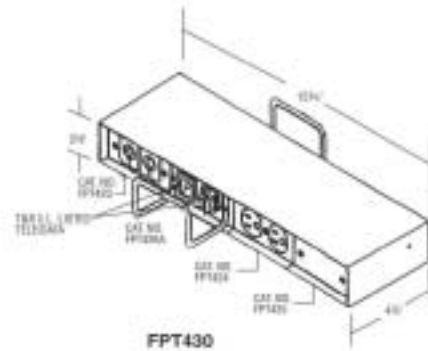
| Cat. No. | Description                            | Std. | Ctn. |
|----------|--|------|------|
| FPT401A  | Single Unit – accepts two face plates  |      | 10   |
| FPT421   | Double Unit – accepts four face plates |      | 5    |
| FPT430   | Quad Unit – accepts eight face plates  |      | 1    |



**FPT401A**  
(Shown with FPT 424 Faceplate)



**FPT421**



**FPT430**

## Faceplates for Service Fittings

| Cat. No. | Description                                       | Std. Ctn. |
|----------|---|-----------|
| FPT423   | Communication Faceplate                           | 50        |
| FPT424   | Power, Std. Duplex Faceplate                      | 50        |
| FPT425   | Blank Faceplate                                   | 50        |
| FPT426   | Combination Faceplate – token ring data and voice | 10        |
| FPT427   | Radiator kit for 50PR Telephone Cable             | 10        |
| FPT428   | Single Jack Faceplate                             | 50        |
| FPT429   | Double Jack Faceplate                             | 50        |

## Accessories for Service Fittings

| Cat. No. | Description                  | Std. Ctn. |
|----------|------------------------------|-----------|
| FPT408A  | Communication Faceplate      | 50        |
| FPT422A  | Power, Std. Duplex Faceplate | 50        |
| FPT416   | Blank Faceplate              | 50        |

