



## 68-P Non-Metallic Floor Box

The 68-P floor box provides flush service for power or communications and data. The non-metallic floor box is used in concrete floors and is suitable for carpet, tile, or wood applications.

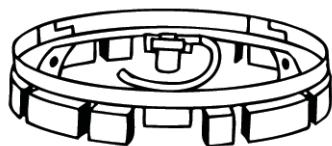
- High-strength rigid PVC construction, non corrosive
- Easy installation with no leveling required—use cut the box level with the concrete after the pour
- Compatible with standard schedule PVC conduit (1", 3/4" and 1/2", reducers included)

## 68-P Round Non-Metallic Floor Box

Cat. No.	Dimensions			After Pour Adj.	Maximum Capacity (cu. in.)	Standard Conduit Tapping	Covers and Carpet Plates	Wiring Device	Std. Ctn.
	A	B	C						
68-P	5-5/32"	6"	6-3/8"	None	100	4-3/4" 2-1"	P60 P68 Series	Single Duplex or Data/Voice	8

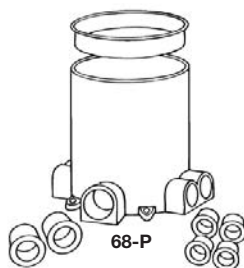
Minimum is 3 inches cubic in capacity is 17 cubic inches per inch of box height.

**Note:** Must use 68-PAR to attach cover plates to 68-P floor box.



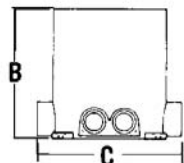
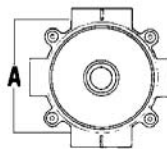
68-PAR

Non-metallic adjusting ring includes pigtail and clips. Supplied as a kit. Parts can not be sold separately.



The Non-Metallic Floor Box is prepackaged with concrete cap and six hub plugs.

3/4" Wall Thickness



## Adjusting Ring for 68-P Floor Box

Cat. No.	Description	Std. Ctn.
68-PAR*	Non-metallic adjusting ring P60/P68	8

\*Required for all 68-P floorbox installations



68-P-FL/68P-FL-AL

Tile trim rings are available in brass or aluminum for flush installation of metallic plates in linoleum, wood or carpeted floors. Must be used to mount P60 series plates. (not required for P-68 covers, P60-CACP, or P60-3/4-2-CACP)

## Metallic Tile Trims for 68-P Floor Box

Cat. No.	Description	Std. Ctn.
68P-FL *	Tile trim ring, brass	4
68P-FL-AL *	Tile trim ring, Aluminum	4

\*Required to attach P60 Series cover plates to 68-P floor box.



## Steel City® 6-Inch Extension for 68P Floor Box

Cat. No.	Description	Std. Ctn.
68P-EXT	6" Extension for 68P Floor Box *	4
68P-EXT-DIV	Voltage Dividers for 68P-EXT *	4
68-P	Round PVC Floor Box for Concrete Applications	8

\*For use with Steel City round PVC floor box only, catalogue number 68-P



# Non-Metallic Floor Box

# Steel City®



**P60-CACP**

One piece, solid brass duplex plate with screw-lock lids. 5-3/4" O.D. Mounting holes on a 3-3/8" Dia.



**P64-3/4-2-CACP**

One piece, solid brass communications carpet plate. 5-3/4" O.D. Mounting holes on a 3-3/8" Dia.



**P60-CACP-GFCI**



**P60-CP**



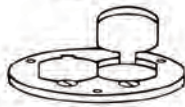
**P-60-2\***  
2" Dia. Plug Size



**P-60-DU\***  
Duplex  
1 1/8" Plugs



**P-60-DR\***  
Duplex Lift Lid



**P-60-DS\***  
Hinged Lift Lids



**P-60-GFCI\***



\* Also includes steel seating plate for receptacles.



1-13/32" Dia. Opening

**Non-metallic, single receptacle plate (SRC) with matching carpet plate and cover. 6" O.D.**



**Non-metallic floor service cover (FSC) with 1" NPS screw plug plus accommodates most above floor service fittings with matching carpet plate. 6" O.D.**



**Non-metallic, duplex/voice data receptacle plates (DRC) with matching carpet plate and cover. 6" O.D.**

## Metallic Carpet Plates for 68-P Floor Box

Cat. No.	Description	Std. Ctn.
<b>P60-CACP</b>	One piece duplex cover & carpet flange, brass	4
<b>P60C-3/4-2-CACP</b>	One piece cover & carpet flange with 3/4" and 2" plugs, brass	4
<b>P60-CACP-GFCI *</b>	One piece GFCI cover and carpet flange, brass	4
<b>P-60-CP *</b>	Carpet flange, brass	4

\*Requires 68P-FL or 68P-FL-AL to attach covers to 68-P floor box. For aluminum covers, add-AL after catalog number.

- Polished brass finish.
- Furnished complete with 8-32 x 1" brass screws.

## Metallic Cover Plates for 68-P Floor Boxes

Cat. No.	Description	Std. Ctn.
<b>P-60-1/2</b>	Brass cover plate 1/2" NPS plug size	4
<b>P-60-3/4</b>	Brass cover plate 3/4" NPS plug size	4
<b>P-60-1</b>	Brass cover plate 1" NPS plug size	4
<b>P-60-1-1/4</b>	Brass cover plate 1-1/4" NPS plug size	4
<b>P-60-2</b>	Brass cover plate 2" diameter plug size	4
<b>P-60-2-5/8</b>	Brass cover plate 2-5/8" diameter plug size	4
<b>P-60-1/2-2</b>	Brass cover plate 1/2" - 2" diameter plug size	4
<b>P-60-3/4-2</b>	Brass cover plate 3/4" - 2" diameter plug size	4
<b>P-60-DR</b>	Brass cover plate with duplex lift lid	4
<b>P-60-DS</b>	Brass cover for duplex with individual lift lids	4
<b>P-60-DU</b>	Brass cover plate with 2 - 1-7/16" plugs for duplex	4
<b>P-60-GFCI</b>	Brass cover plate for GFCI devices	4

\*Note: 68P-FL or 68P-FL-AL required to attach cover plates to 68-P floor box. For aluminum covers, add-AL after catalog number.

- Polished brass finish.
- Furnished complete with sealing gasket and 8-32 x 7/16" brass screws.

## Non-Metallic Carpet Plates for 68-P Floor Box

Cat. No.	Description	Color	Std. Ctn.
<b>P-68-SRC-GRY</b>	Carpet plate & cover for single receptacle	Gray	4
<b>P-68-SRC-BRN</b>	Carpet plate & cover for single receptacle	Brown	4
<b>P-68-SRC-BGE</b>	Carpet plate & cover for single receptacle	Beige	4
<b>P-68-FSC-GRY</b>	Carpet plate & cover with 1" NPS screw plug	Gray	4
<b>P-68-FSC-BRN</b>	Carpet plate & cover with 1" NPS screw plug	Brown	4
<b>P-68-FSC-BGE</b>	Carpet plate & cover with 1" NPS screw plug	Beige	4
<b>P-68-DRC-GRY</b>	Carpet plate & cover for duplex receptacle	Gray	4
<b>P-68-DRC-BRN</b>	Carpet plate & cover for duplex receptacle	Brown	4
<b>P-68-DRC-BGE</b>	Carpet plate & cover for duplex receptacle	Beige	4





## 68P® Dual Voltage Kits

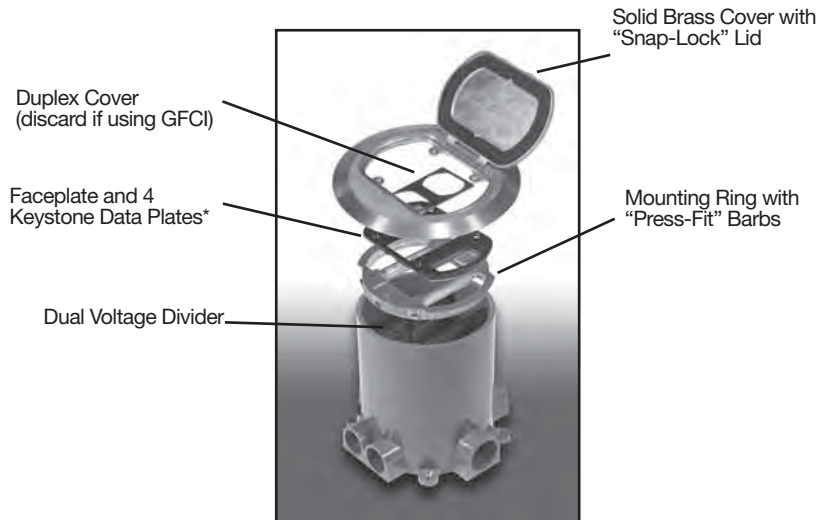
The 68P Dual Voltage Kit is designed to be used with the 68P non-metallic round floor box. It accommodates one standard duplex or GFCI style receptacle, and four data/communication jacks.

The 68P Dual Voltage Kit utilizes the T&B exclusive “one-step” installation method. No glue required! The mounting ring comes equipped with barbs that allow the installer to “press-fit” in place.

### Features:

- Voltage divider has easy-cut score lines to accommodate concrete depths of 3 to 6 inches.
- Faceplate has removable data plates and can accommodate GFCI or standard duplex receptacles.
- Easily change out data plates after installation, unlike the competition.
- Includes everything required for a standard installation (68P floor box, data jacks and receptacles not included).

### Kit Includes



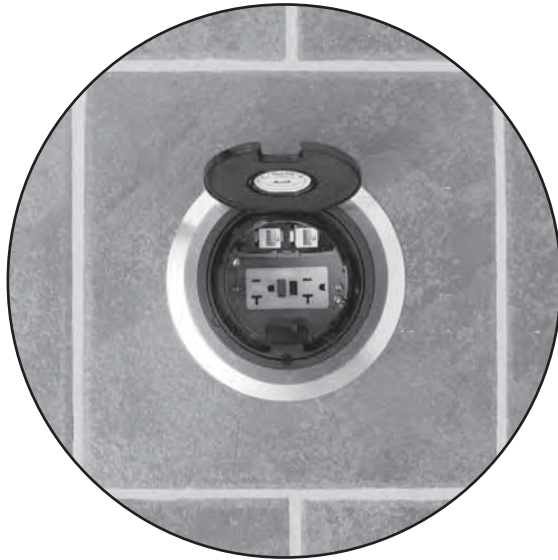
### 68P Dual Voltage Kits

Cat. No.	Description	Std. Ctn.
68P-DV-KIT-BRS	Dual voltage divider kit with MopTite Brass Cover	1
68P-DV-KIT-AL	Dual voltage divider kit with MopTite Aluminum Cover	1
68P-DV-DP-ORT	Ortronics data plate to accommodate 2 jacks	10
68P-DV-DP-AVA	Avaya data plate to accommodate 4 jacks	10
68P-DV-DP-PAN	Panduit data plate to accommodate 2 jacks	10
68P-DV-DP	Standard data plate to accommodate 4 Keystone jacks	10

\*Keystone Data Plates come standard with the kit. Other style data plates are available from T&B and can be ordered separately.



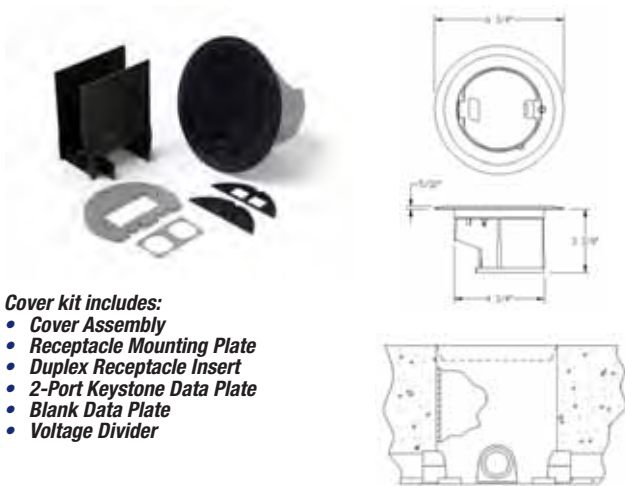
The 68P Floor Box is not included in kit. Order separately. (see page 38)



## 68R Recessed Covers

Plug in power and communication cords, and then close the lid to hide unsightly plugs and receptacles below the floor!

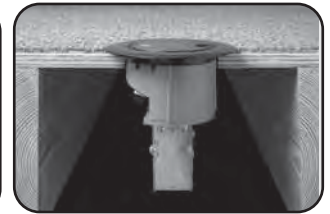
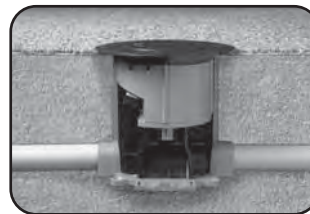
- Unique cover provides aesthetic recessed service with cost-effective box options for concrete, wood sub-floor and raised floor applications (appropriate box purchased separately)
- Patented lid can be rotated to expose a small opening for cords, enabling the lid to close flush with the floor while in use
- Cover accepts one duplex or GFCI receptacle — no special device plates required (receptacle purchased separately)
- Cover accepts up to two communications jacks — includes one 2-port keystone data plate and one blank data plate for custom cut-outs or power-only applications (communications jacks purchased separately)
- Non-metallic covers are available in black, gray, beige and brown. Black covers are available with an optional brass or aluminum flange
- Two set screws lock the cover in place — no gluing required



- Cover kit includes:**
- Cover Assembly
  - Receptacle Mounting Plate
  - Duplex Receptacle Insert
  - 2-Port Keystone Data Plate
  - Blank Data Plate
  - Voltage Divider

### Concrete Applications

### Wood Sub-Floor/Raised Floor Applications



### Important Application Note:

When using the 68R Recessed Cover with the 68P floor box for concrete applications, the entire box depth (6") is required. Prior to concrete pour, level the top of the box with the screed line of the concrete.

## 68R Recessed Covers

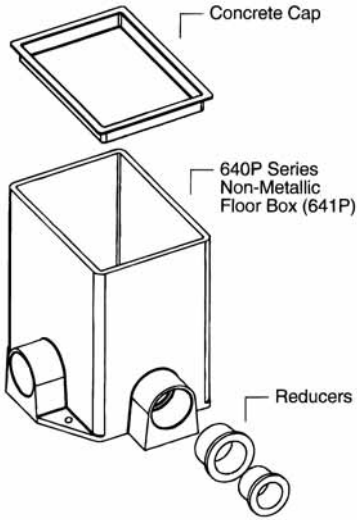
Cat. Number	Description	Std. Pkg. Qty.
68R-CST-BLK	Non-Metallic Recessed Floor Box Cover Kit, Black	4
68R-CST-GRY	Non-Metallic Recessed Floor Box Cover Kit, Gray	4
68R-CST-BGE	Non-Metallic Recessed Floor Box Cover Kit, Beige	4
68R-CST-BRN	Non-Metallic Recessed Floor Box Cover Kit, Brown	4
68R-CST-BRS	Non-Metallic Recessed Floor Box Cover Kit, Black with Brass Flange	4
68R-CST-ALM	Non-Metallic Recessed Floor Box Cover Kit, Black with Aluminum Flange	4
68-P	Round PVC Floor Box for Concrete Applications	8
BC1104-L*	3" x 2" Metal Switch Box, 3-1/2" Deep, for Nonmetallic Sheathed Cable	50
BC1104-LRB*	3" x 2" Metal Switch Box, 3-1/2" Deep, for Nonmetallic Sheathed Cable	50

68R Cover Kits include cover, housing, duplex/GFCI receptacle mounting plate, 2-port keystone data plate, blank data plate and voltage divider

\*Example only — use any appropriate CSA certified IBERVILLE® 3" x 2" metal switch box with mounting ears when using 68R covers for wood sub-floor/raised floor applications.



## 640P Series Non-Metallic Floor Boxes



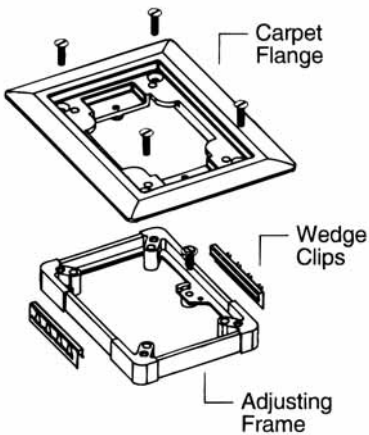
### Features

- Significant savings over metal
- Die-cast adjusting ring with unique “snap-on” feature which eliminates gluing.
- Reduced installation time; no leveling required.
- Compatibility with standard schedule PVD conduit; 1", 3/4" and 1/2".
- Removable adjusting ring accepts wide variety of service accessories.
- One-piece housing unit with pre-molded conduit holes.
- 640P Series Floor Boxes utilize both plastic and brass carpet (P64 series) plates and covers.
- Available in one, two, and three gang versions. Two and three gang boxes provided with partitions in corresponding activation kits.
- Min. concrete pour 2-1/2".

### 640P Series Non-Metallic Floor Boxes

Cat. No.	Dimensions			Max Volume	Description	Std. Ctn.
	Length	Width	Height			
641P	4"	5-3/8"	6"	85.0 cu.in.	One Gang Box	1
642P	7"	5-3/8"	6"	85.0 cu.in.*	Two Gang Box	1
643P	10-3/8"	5-3/8"	6"	85.0 cu.in.*	Three Gang Box	1

\* Per gang



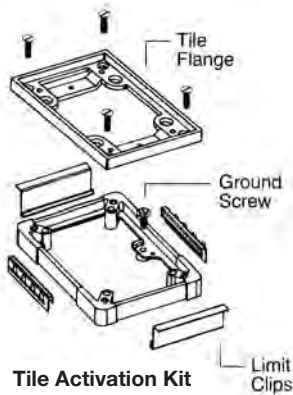
**Carpet Activation Kit**

### Carpet Activations for 640P Series

Cat. No.	Description	Color	Std. Ctn.
641P-CACA	One-Gang Carpet Trim	Aluminum	4
641P-CACB	One-Gang Carpet Trim	Brass	4
641P-CAC-BGE	One-Gang Carpet Trim	Non-Metallic Beige	4
641P-CAC-BLK	One-Gang Carpet Trim	Non-Metallic Black	4
641P-CAC-GRY	One-Gang Carpet Trim	Non-Metallic Gray	4
642P-CACA	Two-Gang Carpet Trim	Aluminum	4
642P-CACB	Two-Gang Carpet Trim	Brass	4
642P-CAC-BGE	Two-Gang Carpet Trim	Non-Metallic Beige	4
642P-CAC-BLK	Two-Gang Carpet Trim	Non-Metallic Black	4
642P-CAC-GRY	Two-Gang Carpet Trim	Non-Metallic Gray	4
643P-CACA	Three-Gang Carpet Trim	Aluminum	4
643P-CACB	Three-Gang Carpet Trim	Brass	4
643P-CAC-BGE	Three-Gang Carpet Trim	Non-Metallic Beige	4
643P-CAC-BLK	Three-Gang Carpet Trim	Non-Metallic Black	4
643P-CAC-GRY	Three-Gang Carpet Trim	Non-Metallic Gray	4

Interior voltage dividers are supplied with all two and three gang activation kits.

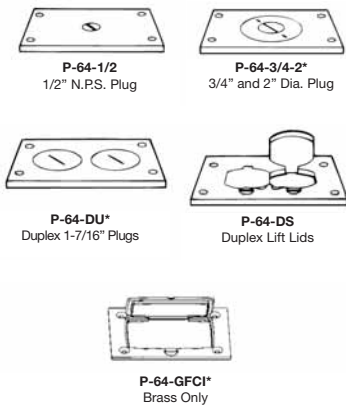




## Tile Activations for 640P Series

Cat. No.	Description	Color	Std. Ctn.
641P-TACA	One-Gang Tile Trim	Aluminum	4
641P-TACB	One-Gang Tile Trim	Brass	4
641P-TAC-BGE	Non-Metallic	Beige	4
641P-TAC-BLK	Non-Metallic	Black	4
641P-TAC-GRY	Non-Metallic	Gray	4
642P-TACA	Two-Gang Tile Trim	Aluminum	4
642P-TACB	Two-Gang Tile Trim	Brass	4
642P-TAC-BGE	Non-Metallic	Beige	4
642P-TAC-BLK	Non-Metallic	Black	4
642P-TAC-GRY	Non-Metallic	Gray	4
643P-TACA	Three-Gang Tile Trim	Aluminum	4
643P-TACB	Three-Gang Tile Trim	Brass	4
643P-TAC-BGE	Non-Metallic	Beige	4
643P-TAC-BLK	Non-Metallic	Black	4
643P-TAC-GRY	Non-Metallic	Gray	4

Interior Voltage dividers are supplied with all two and three gang activation kits

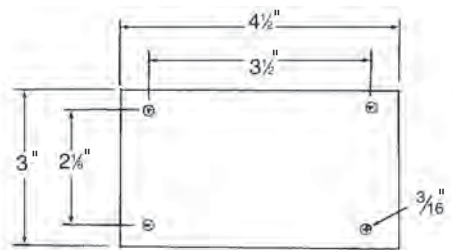


## Metallic Cover Plates for 640P Series

Cat. No.	Description	Color	Std. Ctn.
P-64-1/2	1/2" N.P.S. Plug	Brass	4
P-64-3/4	3/4" N.P.S. Plug	Brass	4
P-64-1	1" N.P.S. Plug	Brass	4
P-64-1-1/4	1-1/4" N.P.S. Plug	Brass	4
P-64-2	2" Plug	Brass	4
P-64-1/2-2	1/2" and 2" Plug	Brass	4
P-64-3/4-2	3/4" and 2" Plug	Brass	4
P-64-2-5/8	Cover plate 2-5/8" UN plug	Brass	4
P-64-DU	Cover plate duplex 1-7/16" plug	Brass	4
P-64-DS	Cover plate duplex lift lids	Brass	4
P-64-GFCI	Cover plate GFCI flip lid	Brass	4

\* Plaque assise en acier incluse pour installation des prises

- Polished brass finish
- Furnished complete with sealing gasket and 8-32 x 7/16" brass screws
- 3" x 4-1/2" outside dimension
- For brushed aluminum, add AL after catalog number
- All covers meet mop tight requirements



## Non-Metallic Cover Plates for 640P Series



Cat. No.	Description	Color	Std. Ctn.
P64P-URC-BLK	Universal Cover	Black	4
P64P-URC-GRY	Universal Cover	Gray	4
P64P-URC-BGE	Universal Cover	Beige	4
P64P-BP-BLK	Blank Cover	Black	4
P64P-BP-GRY	Blank Cover	Gray	4
P64P-BP-BGE	Blank Cover	Beige	4

