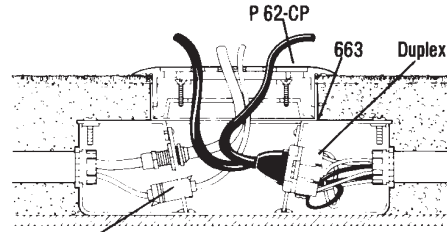


**663-SC**

- Multiple service floor box that delivers power, communications and data from standard conduit with no exposed service fittings
- Ideal for workstations that require power, communications and data service



Communications Connector

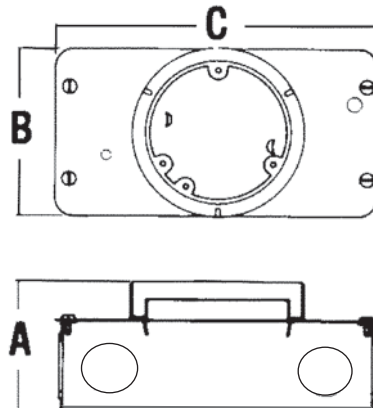
- Stamped steel, concrete tight, semi-adjustable
- Electrogalvanized body and hardware
- Shipped complete with expendable cap to prevent ingress of concrete
- Blank and duplex face plates can be mounted at either end of the box
- Does not include duplex faceplate; faceplate is included with P 62-CP and P 60-3B cover plates
- Uses P 62 and P 60 Series covers\* (See page 11)

**Caution:** to abandon 663 you must use a P60 series brass cover plate.

## 663 Series Floor Box

Cat. No.	Dimensions			Before Pour Adj.	After Pour Adj.	Maximum Capacity (cu. in.)	Conduit KO's		Covers and Carpet Plates	Wiring Device	Std. Ctn.
	A	B	C				Sides	Bottom			
663-SC	3-5/8"	4-11/16"	8-13/16"	None	3/4" 90 Total	25 per Gang	2—1-1/4" 4—3/4"	None	P-62 Series P-60 Series	Duplex and/or Data/Voice	4

\* P 62-TAR is required when using P 60 series covers.





P-60-3B

- Polished brass finish with non-metallic bronze insert
- Plastic insert has one 7/8" cutout and two 1/2" cutouts
- Furnished complete with sealing gasket, 8-32 x 7/16" brass screws and one P 60-Q device plates
- High strength polycarbonate
- Split cover sections have access notch for screwdriver lift

## Covers, Carpet Plates and Adjusting Rings for 663 Floor Box

Cat. No.	Description	Std. Ctn.
P-60-3B* <sup>1</sup>	Cover plate—includes 1 - P60Q	4
P-62-CP-AS* <sup>2</sup>	Polycarbonate cover and carpet plate (charcoal)—includes 1 - P60Q	4
P-62-CP-BRN* <sup>2</sup>	Polycarbonate cover and carpet plate (brown)—includes 1 - P60Q	4
P-62-CP-G* <sup>2</sup>	Polycarbonate cover and carpet plate (gold)—includes 1 - P60Q	4
P-60-CP	Carpet plate (polished brass)	4
P-60-CP-AL	Carpet plate (aluminum)	4
P-62-TAR	Flange and adjusting ring for 663	4
P-62-TAR-AL	Flange and adjusting ring (aluminum) for 663	4

\* For use as cover only when box is in service.

<sup>1</sup> When not in use replace P603B Grommet with 697 Plug.

<sup>2</sup> When not in use the P62CP Series Cover should be replaced by P60CP, P60, and P62 Series Covers.

**Caution: These covers are not to be used in high traffic areas.**



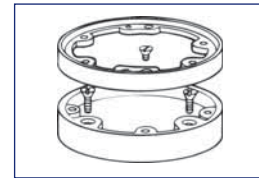
P-62-CP

- Molded support ribs for extra strength
- Furnished with one 7/8" cutout and two 1/2" cutouts and P 60-Q device plate
- 5-5/8" outside diameter
- Furnished with 3-12-24 x 1" screws



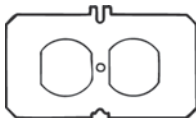
P-60-CP

- Polished brass finish
- Furnished complete with 8-32 x 1" brass screws
- P 62-TAR is required when used on 663 floor box
- 5-11/16" outside diameter



P-62-TAR

- Gives 3/4" adjustment when mounted on 663 floor box
- Accepts P-60-3B, P-60-CP, and all P 60 Series cover plates



P 60 Q

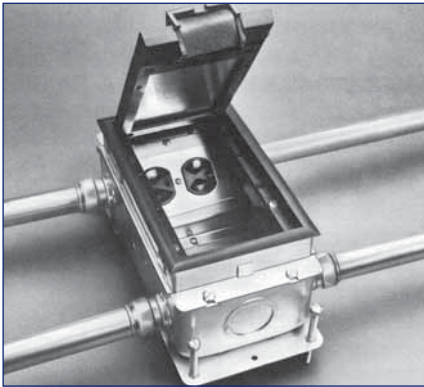


P 60-QB

## Face Plates for 663 Floor Box

Cat. No.	Description	Std. Ctn.
P-60-Q	Duplex receptacle plate for 663 floor box	4
P-60-QB	Blank plate for 663 floor box	4





## Multiple Service Floor Boxes for Power, Communications and Data

Multiple Service floor boxes that deliver power, communications and data from standard conduit with no exposed service fittings. Result: Open office planning flexibility. Ideal for the modern office with workstations that have power, communications and data equipment. Power receptacles and low voltage connections can be enclosed underfloor in either steel or cast iron bodies. Galvanized 14-gauge steel boxes are provided with knockouts from 3/4" to 1-1/4".

Cast iron bodies have threaded openings for 3/4" and 1" conduit. Hinged floor plate offers easy access to devices and is steel reinforced for superior load bearing characteristics.

### Hinged Floor Plate

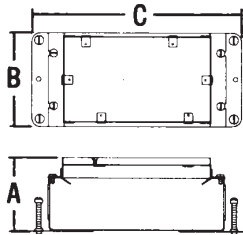
- Carpet covering eliminates unsightly service fittings and metal floor plates
- Power cords, low voltage cables run through retractable exit
- Power and communications/data can be disconnected quickly
- Second duplex receptacle may be installed for additional power needs
- Blank partitions also available

### Wide Access

- Easy to use
- Wide 3" x 6" opening facilitates activation

### Leveling Screws

- Quick leveling to desired concrete depth
- Box top flush with finished slab
- After pour adjustment of floor flange: 3/4" from box top.



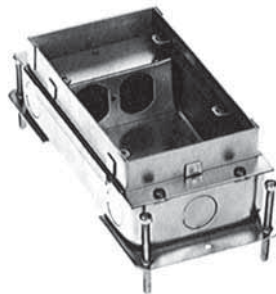
**Caution:** When using the center side KO's, Cat. No. 664-RP must be assembled to the box prior to installing the conduit.

## Engineering Data

Cat. No.	Dimensions			Before Pour Adj.	After Pour Adj.	Max. Capacity (cu. in.)	Std. Conduit Tapping		Max. Conduit Tapping		Conduit KO's		Covers and Carpet Plates	Wiring Device
	A	B	C				w/bushing	w/o bushing	Sides	Bottom				
664-SC	3-3/4"	4-11/16"	10-1/4"	2-1/2"	3/4"	24 per Gang 90 Total	—	—	—	(4) 1"-1-1/4" (4) 3/4"	None	664-CST Series	Duplex and/or	
664-CI	3-3/4"	5-5/32"	9-15/16"	2-1/2"	3/4"	24 per Gang 90 Total	(4) 3/4" (4)-1"	1"	1-1/2"			664-CST Series	Data/Voice	
664-S	2-7/8"	4-11/16"	10-1/4"	1-1/2"	3/4"	16.5 per Gang 70 Total				(6) 3/4"	None	664-CST Series	Plate	



664-SC



664-S

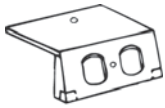


664-CI

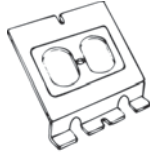


# Concealed Service Floor Boxes

**Steel City**<sup>®</sup>



664-S-RP

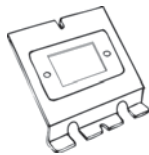


664-RP

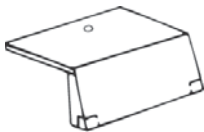
- Duplex receptacle face plate for 664 Series floor box for additional power service
- Does not include duplex receptacle. Can be placed at either end of floor box



664-BP



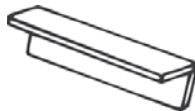
664-GP



664-S-BP

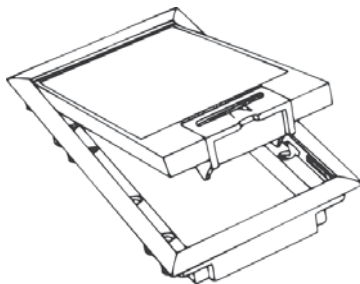


664-WT



664-S-WT

- Wire tunnel for protecting electrical connections between the two duplex receptacles when the box is used for power/power application



664-CST

## Receptacle Face Plate

Cat. No.	Description	Std. Ctn.
664-S-RP	For use with 664-S	4
664-RP	For use with 664-SC and 664-CI	4

**Caution:** When using the center side KOs, all 664 plates must be assembled to the box prior to installing the conduit.

## Device Plates

Cat. No.	Description	Std. Ctn.
664-BP	Blank plate for use with 664-SC & 664-CI	4
664-GP	GFCI receptacle plate	4
664-S-BP	Blank plate for use with 664-S	4

## Wire Tunnel

Cat. No.	Description	Std. Ctn.
664-S-WT *	For use with 664-S	4
664-WT *	For use with 664-SC and 664-CI	4

\* Not CSA certified

## Carpet Plate - Scrubwater Tight

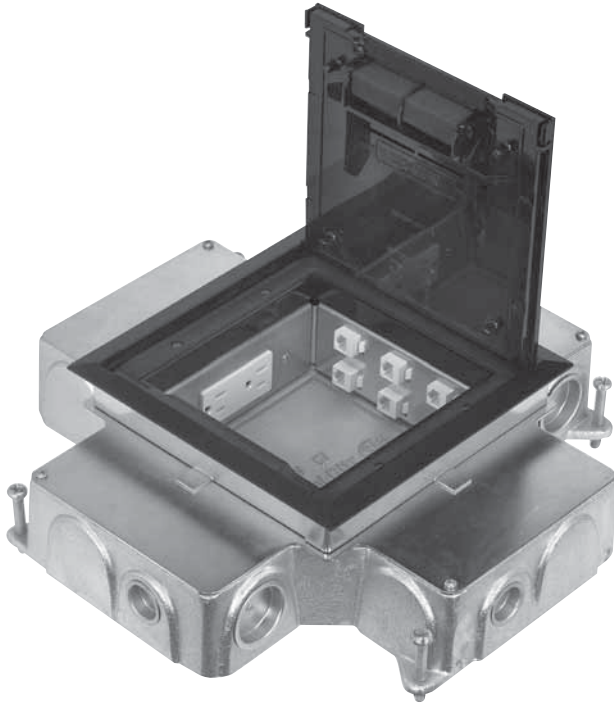
Cat. No.	Description	Std. Ctn.
664-CST-SW-GRY	Gray	1
664-CST-SW-BRN	Brown	1
664-CST-SW-BGE	Beige	1
664-CST-SW-BLK	Black	1

## Load Test Data

Cat. No.	Load (lb)	Deflection	Notes
664CST	1000	.153	No Permanent Deflection Cover Remains Undamaged
	1250	.167	
	1500	.181	
	1750	.209	
	2000	.245	Slight Permanent Deflection Maximum Load to Failure
	2250	.290	
	2460		



## 665 Cast Iron Floor Box



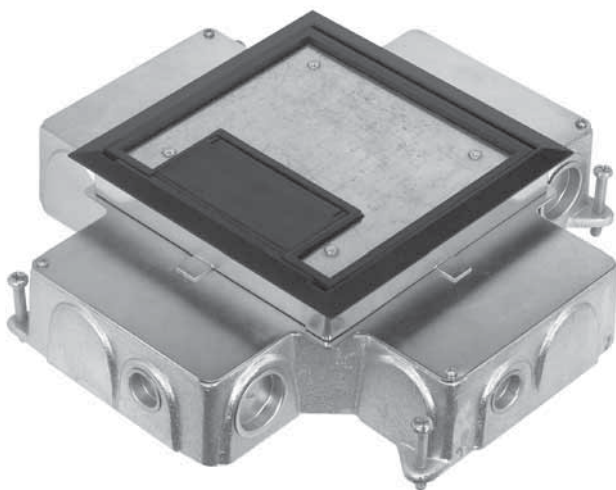
*Cover opened with single-gang GFCI plate and Keystone Jack plate installed.*

The Steel City® 665 Cast Iron Floor Box provides a high capacity power and data solution for ground floor installations. This 4-gang recessed service floor box is ideal for slab-on-grade applications. Removable voltage dividers allow users to customize wiring configurations by feeding two or more adjacent compartments with a single conduit. Aesthetic covers feature a recess to accept floor covering to match the surrounding floor.

- Cast iron construction for slab-on-grade applications
- 4-Gang, recessed service for high capacity, aesthetic floor box solution
- Removable voltage dividers between compartments allow a single conduit to feed two or more adjacent compartments
- Heavy duty non-metallic covers with steel reinforcement plates are available in a wide variety of colors to match any decor.
- Separate cord door in the cover latches firmly in the open position to prevent damage to cables
- MopTite™ covers meet UL scrubwater exclusion requirements for carpet, tile and wood
- Largest cubic inch capacity of any cast iron recessed 4-gang floor box
- Inline 1-1/4" hubs allow high capacity straight runs for communication wiring

### Material:

Box – Cast Iron  
Cover – Polycarbonate with Steel Reinforcement Plate

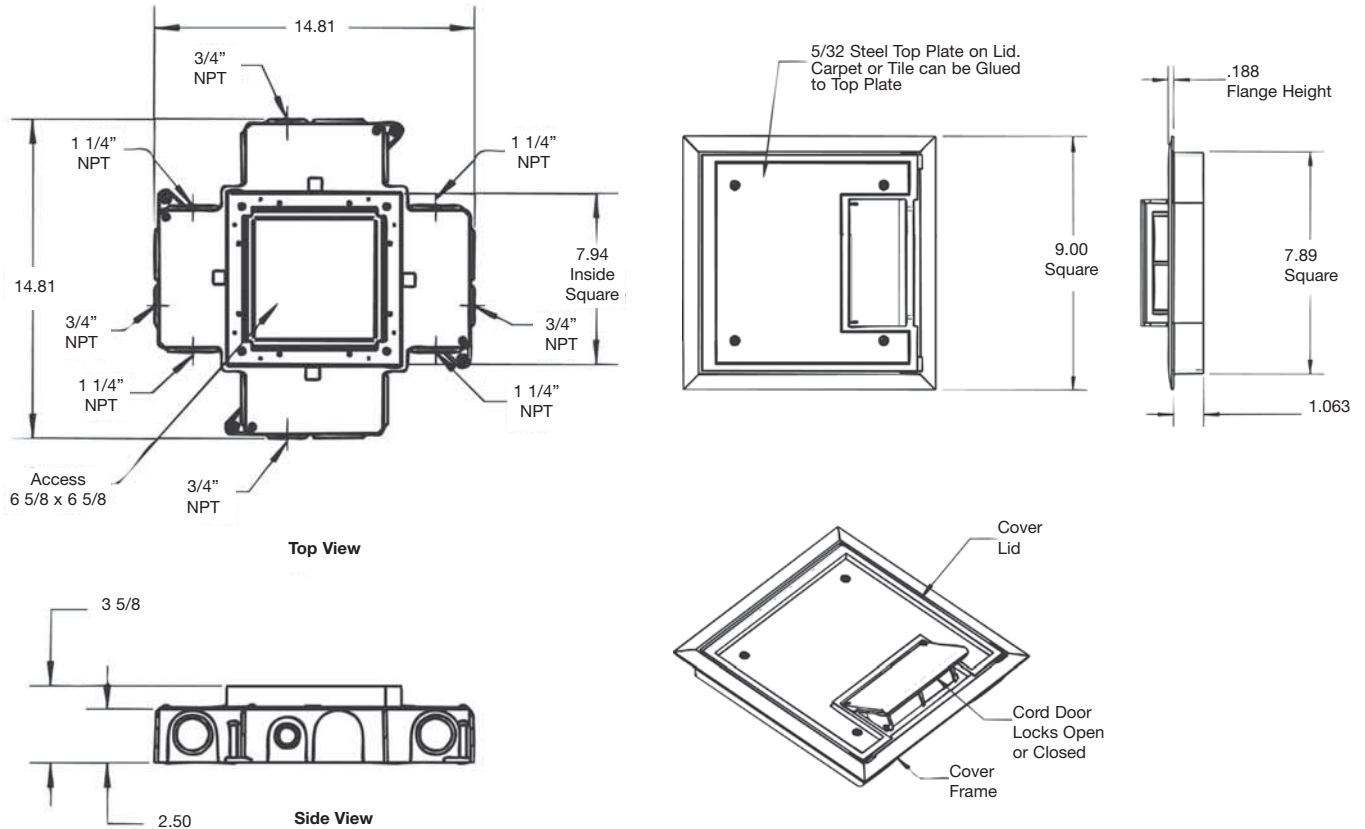


*Cover shown closed.*



# Concealed Service Floor Boxes

**Steel City®**



## 665 Cast Iron Floor Box

Cat. Number	Description	Std. Pkg. Qty.
665-CI	Cast Iron Floor Box	1
665-CST-SW-BGE	Cover, Scrubwater Tight, Beige	4
665-CST-SW-BLK	Cover, Scrubwater Tight, Black	4
665-CST-SW-BRN	Cover, Scrubwater Tight, Brown	4
665-CST-SW-GRY	Cover, Scrubwater Tight, Gray	4
665-RP	Single Gang Duplex Plate	4
665-GP	Single Gang GFCI Plate	4
665-BP	Blank Plate	4
665-6RJ	Data Plate - 6 Keystone Jacks	4



665-RP



665-GP



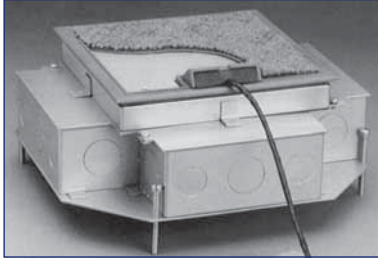
665-BP



665-6RJ



## 665-SC Series Concealed Service Floor Box



- The "665" line is an extension of the industry leading "664" series; our concealed service line now allows the customer to install up to four device panels in one box
- Through the use of a unique non-metallic wire tunnel the installer can easily partition his power, voice/data requirements
- The 665SC utilizes the same quality "CST" cover the industry has come to expect from the leader in concealed service floor boxes
- Four 2-1/2" levelling screws provided with all boxes.

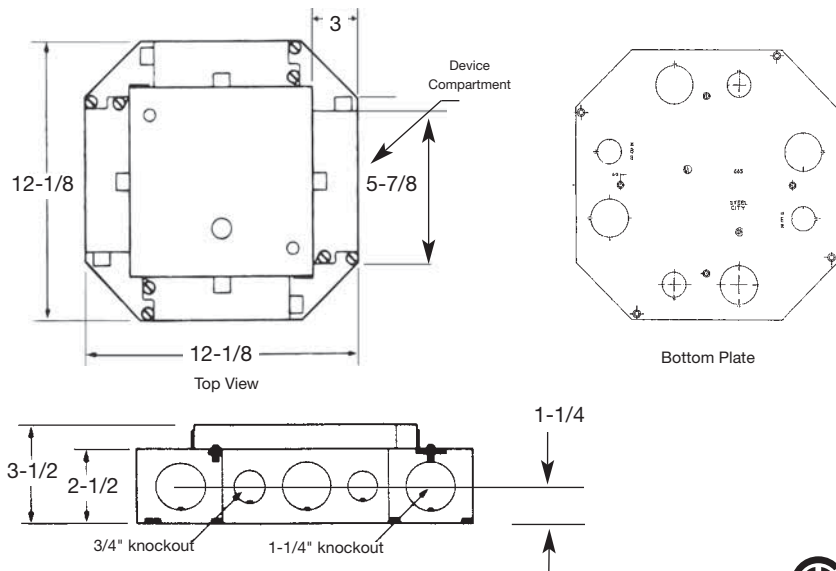
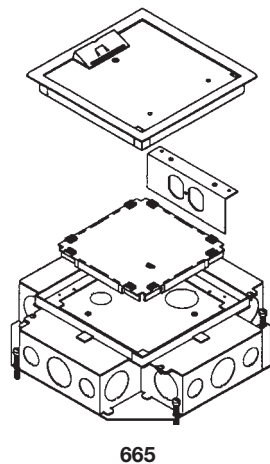
- Four (4) device compartments can accommodate any combination of devices.
- Overall height of 3-1/2" allows for shallow pours when needed.
- Nylon carpet flange (665-CST) cover made of resilient nylon material with a 5/32" steel plate assures structural integrity.
- Four side feed thru allows installer to feed thru power or data/comm service from any orientation.
- Non-metallic wire tunnels are aesthetically clean. Full width tunnel provides maximum feed-thru capacity; nonmetallic material prevents conductor damage.
- Total access capacity of 126 cu. in. allows for friendly installation of workstation cables.
- Contains 28 Knock-outs (16-1-1/4" and 12-3/4" KOs) that provide increased flexibility when installed.
- Wide variety of device panels allows for virtually any power, voice or data combination.

### Series 665 Floor Box



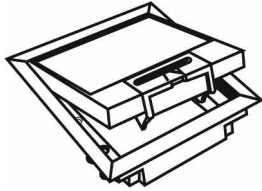
Cat. No.	Description	Device Compartment			Capacity	Device Access Capacity	Std. Ctn.
		Length	Width	Height			
665-SC	Stamped steel box	5-3/4 in.	2-3/4 in.	2-1/2 in.	40 cu. in.	126 cu. in.	1

665-SC Series floor boxes do not include device panels or covers. Order separately.  
Material: Pre-Galvanized Steel



# Concealed Service Floor Boxes

**Steel City®**

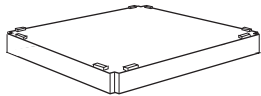
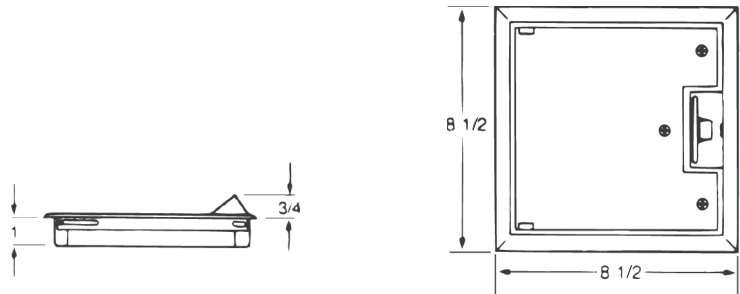


665-CST

## Covers for 665-SC Floor Boxes - Scrubwater Tight

Cat. No.	Description	Std. Ctn.
665-CST-SW-GRY	Gray cover	4
665-CST-SW-BRN	Brown cover	4
665-CST-SW-BGE	Beige cover	4
665-CST-SW-BLK	Black cover	4

Material: Nylon-6 with 5/32" Steel Plate  
Furnished with 4-#8-32 x 5/8" mounting screws

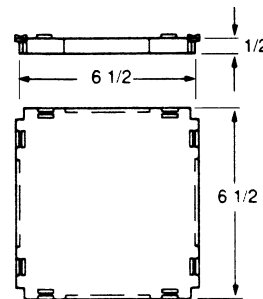


665-WT

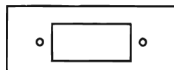
## Wire Tunnel for 665-SC Floor Boxes

Cat. No.	Description	Material	Std. Ctn.
665-WT	Wire tunnel for 665 floor box	PVC	4

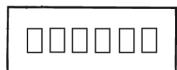
One provided with box



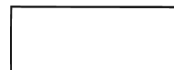
665-RP



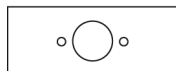
665-GP



665-6RJ



665-BP



665-STEL

## Device Panels for 665-SC Floor Boxes

Cat. No.	Description	Std. Ctn.
665-RP	Duplex receptacle plate	4
665-GP	GFCI receptacle plate	4
665-BP	Blank plate	4
665-6RJ	Device plate for 6 keystone data plates	4
665-STEL	Telephone/data plate	4

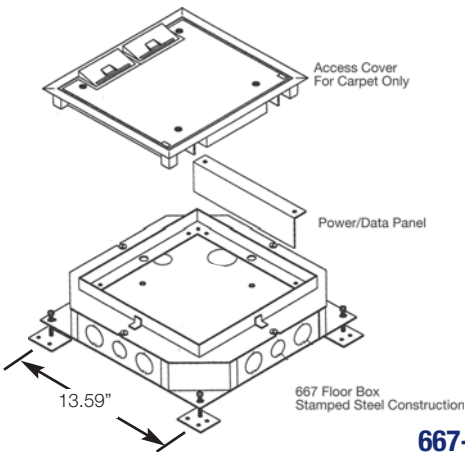
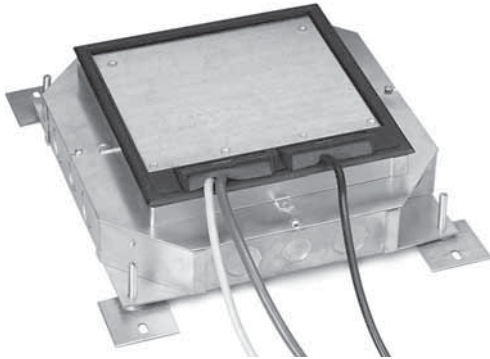
Material: Pre-Galvanized Steel



## 667-SC Series Concealed Service Floor Box

### Features and Benefits

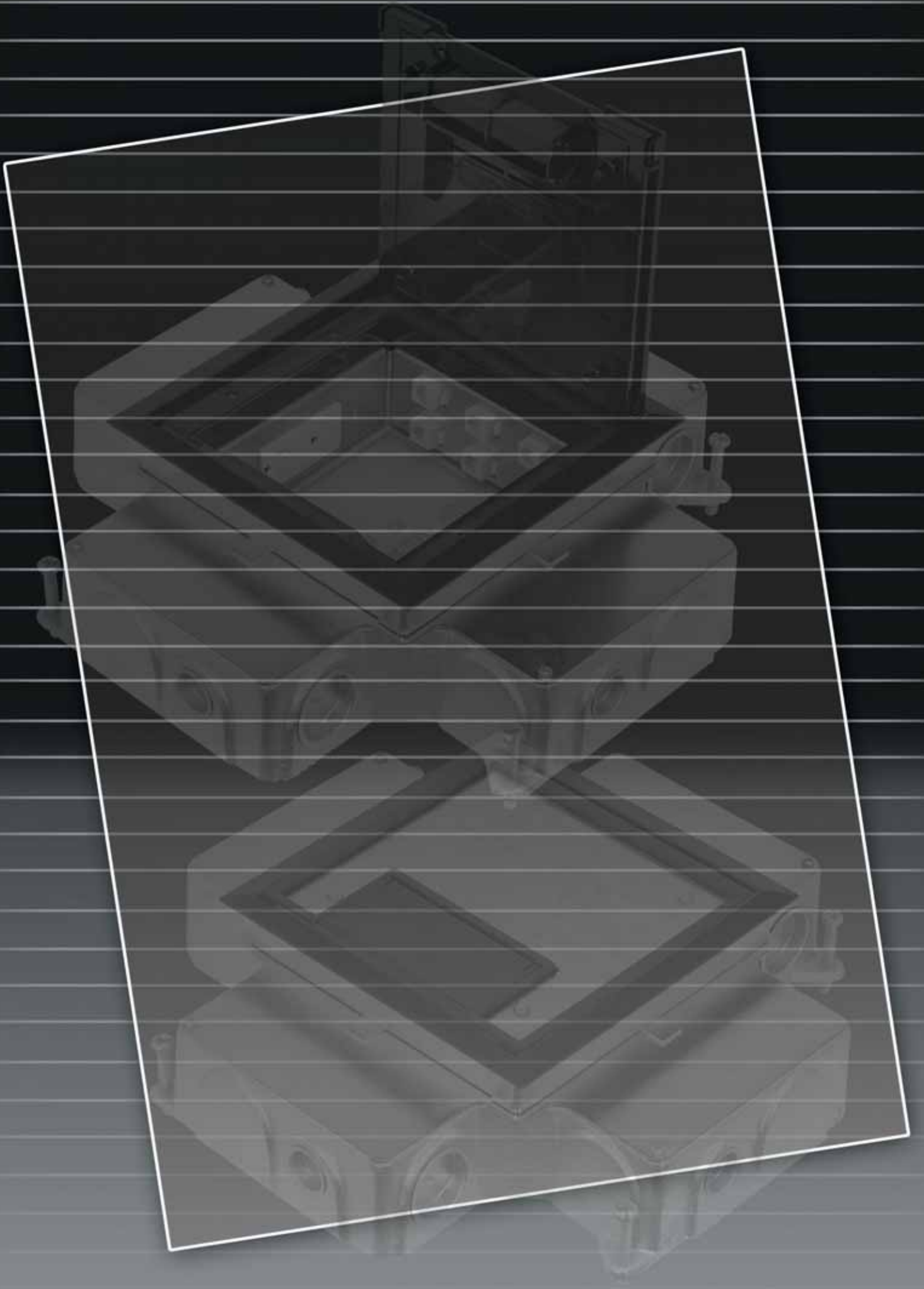
- Largest capacity concealed service floor box on the market
  - Four “double-gangs” allow for two duplex receptacles per gang for a total of eight receptacles per box
  - Each gang has 40 cu. In. of capacity
  - Box interior has 128 cu. In. of capacity
- Standard box configuration is for up to 8 power and/or low voltage devices.
  - Box design allows for feed-through cabling for power and low voltage conductors
- Shallow design
  - 3" overall height is ideal for renovations and upper level floor installations
- Full line of low profile covers - Scrubwater Tight
  - Utilizes same quality cover as AFM-8 Access Floor Module
  - Steel reinforced for added durability
  - Two retractable cable exit ports
  - 1/4" recess for carpet/tile insert
  - Available in gray, black, brown, and beige
- Box is manufactured with (1) 3/4", (3) 1", & (1) 1-1/4" k.o.'s per gang
  - This includes a 1" & 1-1/4" k.o. located in the bottom
- Full complement of device panels
  - Device panels available with one or two duplex openings, one or two GFI openings, six standard “keystone”.
- Provided with leveling legs and base feet
  - Base feet can be attached to form preventing box movement during concrete pour
  - Leveling legs provide up to 1-1/2" pre-pour adjustment
- Manufactured from 14 gauge pre-galvanized steel
  - Quality construction provides added durability and rust protection



### 667-SC Series Floor Box

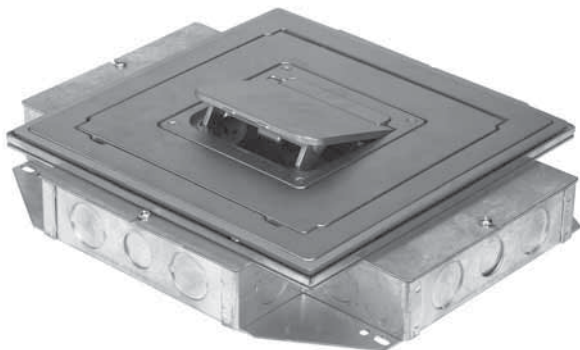
Cat. No.	Description	Std. Ctn.
<b>Box</b>		
667-SC	Four Gang Recessed Floor Box c/w 1-667RP + 1-667BP	1
667-RP	Single Duplex Receptacle Plate	4
<b>Panels</b>		
667-2RP	Device Panel for 2 Duplex Receptacles with Duplex KOs	4
667-BP	Blank Device Panel	4
667-6RJ	Device Panel for 6 T&B 110 Connectors (include black bezels)	4
667-1G	Device Panel for 1 GFCI Receptacle	4
667-2G	Device Panel for 2 GFCI Receptacles	4
<b>Covers</b>		
667-CST-SW-GRY	Cover and Carpet Flange - Gray - Scrubwater Tight	4
667-CST-SW-BLK	Cover and Carpet Flange - Black - Scrubwater Tight	4
667-CST-SW-BRN	Cover and Carpet Flange - Brown - Scrubwater Tight	4
667-CST-SW-BGE	Cover and Carpet Flange - Beige - Scrubwater Tight	4







*Aluminum powder coat finish cover shown open with single-gang duplex plate and Keystone Jack plate installed.*



*Brass powder coat finish cover shown closed.*

## 668-S Ultra Shallow Floor Box

The 668-S Ultra Shallow floor box provides a high capacity power and data solution for shallow concrete floors. The low profile, 4-gang box is constructed of galvanized stamped steel. Removable voltage dividers allow users to customize wiring configurations by feeding two or more adjacent compartments with a single conduit. Metallic covers with durable powder coat finish are designed to match any décor, while optional trim rings allow covers to be mounted completely flush with the floor in tile or wood floor applications.

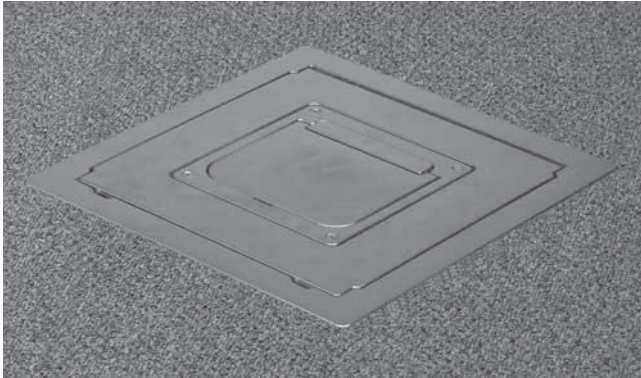
- Low profile (2-1/2" height) for shallow concrete pours
- 4-gang recessed service for a high capacity, aesthetic floor box solution
- Stamped steel box construction
- Removable voltage dividers between compartments allow a single conduit to feed 2 or more adjacent compartments
- Metallic covers feature durable powder coat paint
- Heavy duty cord door in the cover latches firmly in the open position to prevent damage to cables
- Optional tile trim allows flush mounting for tile and wood floor applications
- MopTite™ covers meet UL scrubwater exclusion requirements for carpet, tile and wood
- Largest cubic inch capacity of any shallow recessed 4-gang floor box
- Additional KO's (up to 2") on the bottom of the box enable installation flexibility
- Data panels are available to accommodate jacks from many manufacturers

**Material:** Box – Galvanized Steel  
Cover – Die-Cast Zinc

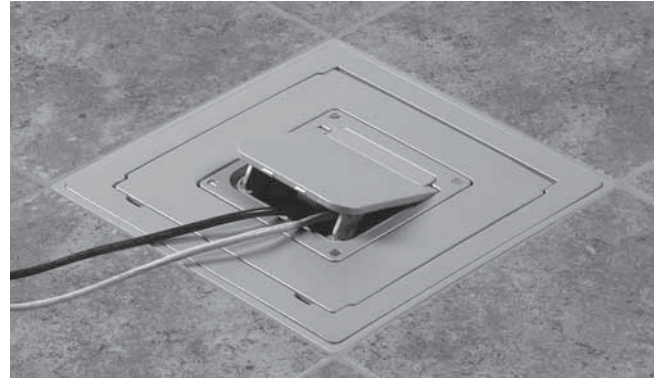


# Concealed Service Floor Boxes

**Steel City®**

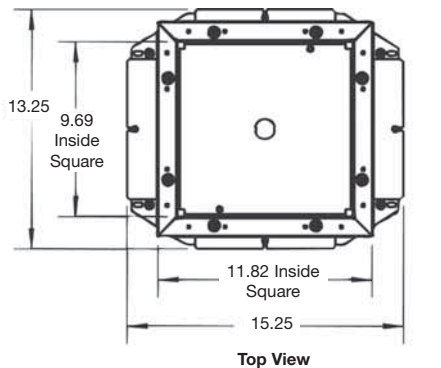


Standard mounting configuration: Flange on cover overlaps carpet, tile or wood floors.

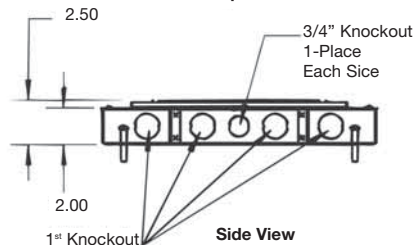


Flush mounting configuration: Optional trim ring allows cover to be mounted flush with tile or wood floors.

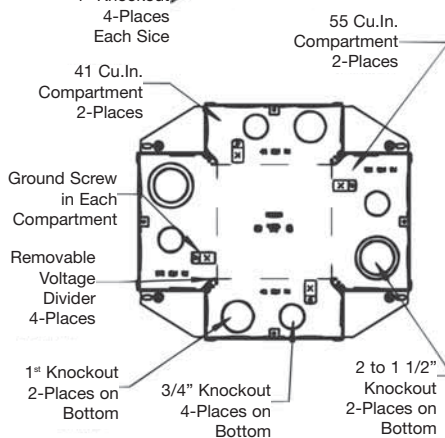
## 668-S Ultra Shallow Floor Box



Top View



Side View



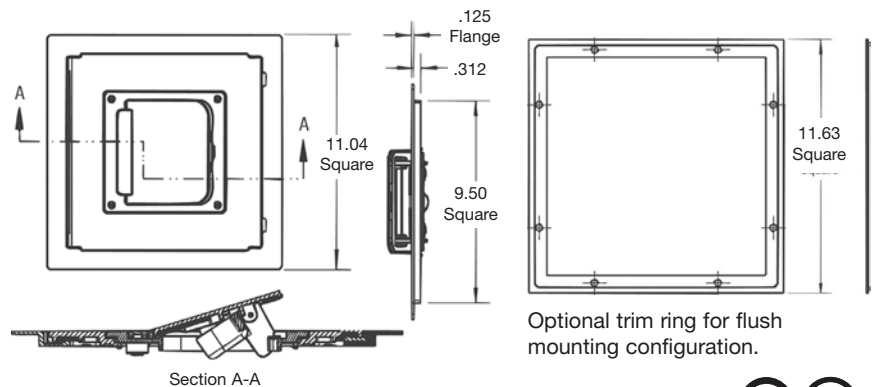
Top View - Compartment Layout  
Shown with Top Plate Removed

Cat. Number

Description

Std. Pkg. Qty.

<b>668-S</b>	Ultra Shallow Recessed Floor Box	1
<b>668-CST-ALM</b>	Metal Cover - Aluminum Powder Coat	1
<b>668-CST-BRS</b>	Metal Cover - Brass Powder Coat	1
<b>668-CST-BLK</b>	Metal Cover - Black Powder Coat	1
<b>668-CST-BRN</b>	Metal Cover - Brown Powder Coat	1
<b>668-CST-BGE</b>	Metal Cover - Beige Powder Coat	1
<b>668-S-1RP</b>	Single Gang Duplex Plate	4
<b>668-S-1G</b>	Single Gang GFCI Plate	4
<b>668-S-BP</b>	Blank Plate	4
<b>668-S-6RJ</b>	Data Plate - 6 Keystone Jacks	4
<b>668-S-6PAN</b>	Data Plate - 6 Panduit® Jacks	4
<b>668-S-6ORT</b>	Data Plate - 6 Ortonics® Jacks	4
<b>668-S-6AVA</b>	Data Plate - 6 Avaya® Jacks	4
<b>668-TRIM-ALM</b>	Trim Ring - Aluminum Powder Coat	4
<b>668-TRIM-BRS</b>	Trim Ring - Brass Powder Coat	4
<b>668-TRIM-BLK</b>	Trim Ring - Black Powder Coat	4
<b>668-TRIM-BRN</b>	Trim Ring - Brown Powder Coat	4
<b>668-TRIM-BGE</b>	Trim Ring - Beige Powder Coat	4



Section A-A

Optional trim ring for flush mounting configuration.

