



Flush Service Floor Boxes — Outlets at Floor Level

600 Series

Round, Cast Iron

- Tile flange included
- P60 Series Carpet flanges
- P60 Series Covers



(see pages 26 to 29)

68 Series

Round, Stamped Steel

- Tile flange included
- P60 Series Carpet flanges
- P60 Series Covers



(see pages 26 to 29)

68HP Series

Round PVC Floor Box

- 4 Power, 6 Data
- 3 Compartments 1-1/2" and 1" in-line hubs
- Slide latch cover — No tools required
- Lids lay flat on the floor while-in-use
- Solid brass or aluminum cover

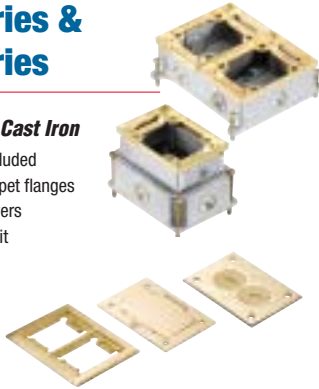


(see pages 42 – 43)

640 Series & 840 Series

Rectangular, Cast Iron

- Tile flanges included
- P64 Series Carpet flanges
- P64 Series Covers
- Up to 2" conduit
- Up to 4-gang



(see pages 34 to 36)

740 Series

Rectangular, Stamped Steel

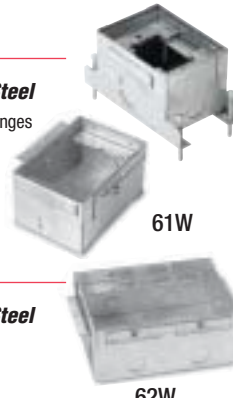
- 640P Series Tile & Carpet flanges
- P64 Series Covers
- Up to 3-gang

(see pages 38 to 41)

60 Series

Rectangular, Stamped Steel

- For wood sub-floors
- P64 Series Carpet flanges
- P64 Series Covers

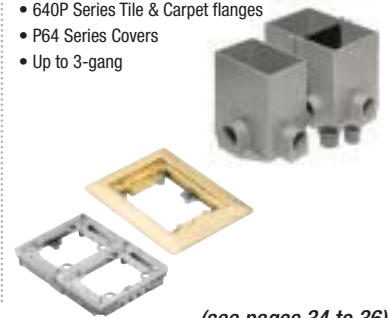


(see pages 8 – 9)

640P Series

Rectangular, Nonmetallic

- 640P Series Tile & Carpet flanges
- P64 Series Covers
- Up to 3-gang



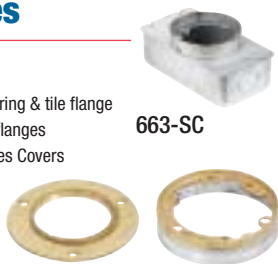
(see pages 34 to 36)

Concealed Service Floor Boxes — Outlets Below Floor Level

663 Series

2 Compartments

- P62-TAR adjusting ring & tile flange
- P60 Series Carpet flanges
- P60-3B & P62 Series Covers



(see pages 60 – 61)

664 Series

2 Compartments

- 664 Series Covers (tile & carpet)
- 664-CI: Cast iron
- 664-S: Shallow 2-7/8" height

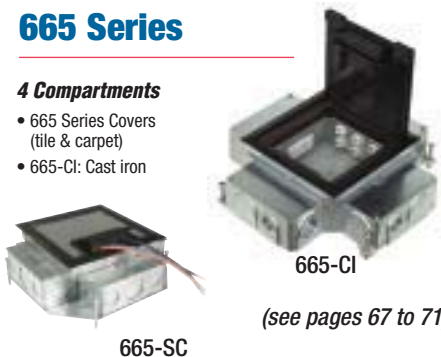


(see pages 64 to 66)

665 Series

4 Compartments

- 665 Series Covers (tile & carpet)
- 665-CI: Cast iron



(see pages 67 to 71)

668 Series

4 Compartments

- 668 Series Covers (tile & carpet)
- 668 Series Tile flanges
- Shallow 2-1/2" height



(see pages 74 – 75)

667 Series

4 Compartments

- 667 Series Covers (tile & carpet)
- 1 Compartment = 2 Gangs



(see pages 72 – 73)

