

Type: _____
 Project/Location: _____
 Contractor: _____
 Prepared By: _____
 Date: _____
 Model No.: _____

TYPICAL SPECIFICATIONS

Offered in a variety of colours and lengths, **Ready-Lite®** Pendant Kits are designed to facilitate the installation of Exit Signs at regular mounting heights.

Compatible with both horizontal and sloped ceilings, these Pendant Kits is truly universal and will adapt to any application.

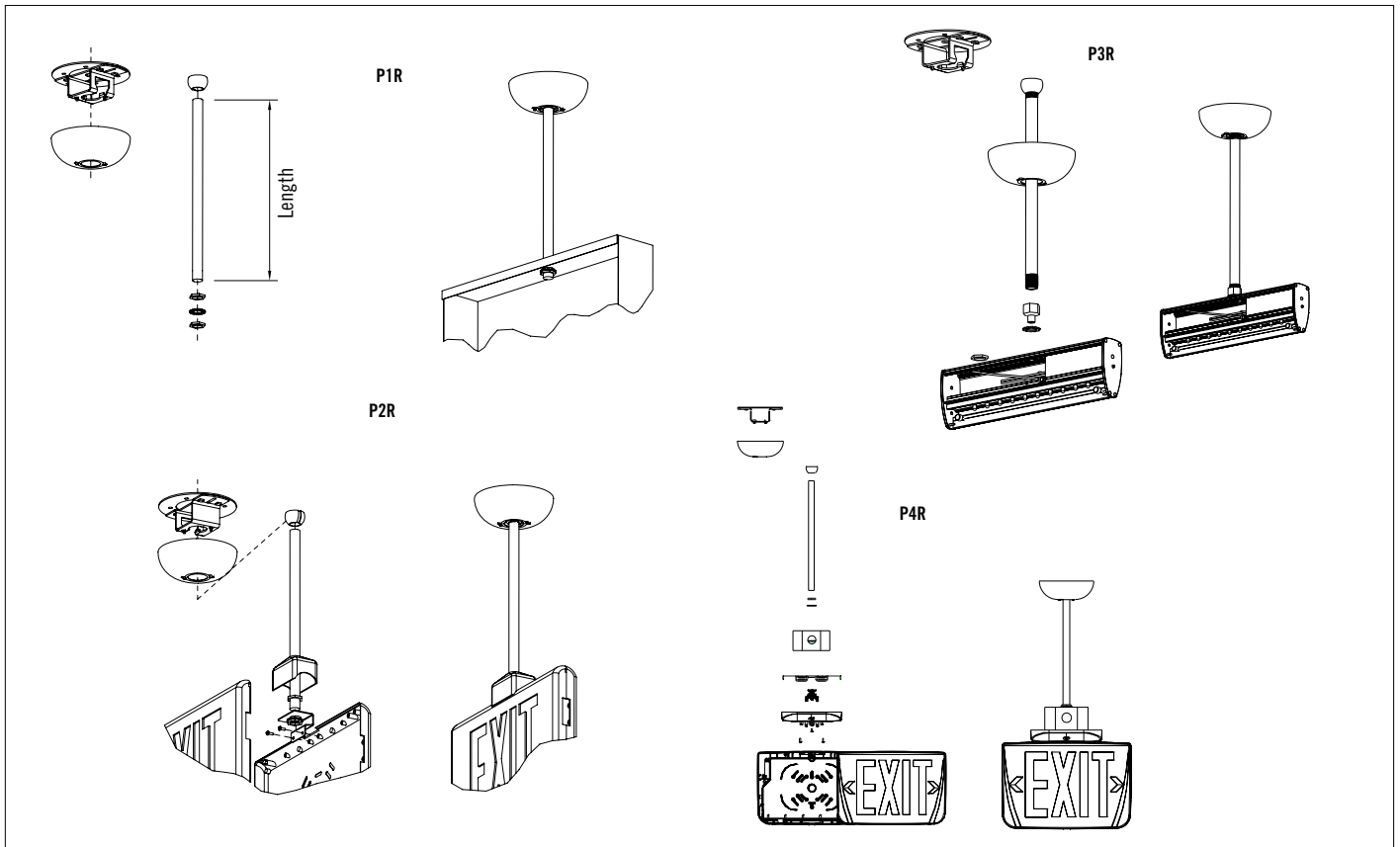
Please consult your sales representative.



PENDANT KIT

DIMENSIONS

Dimensions are approximate and subject to change.



ORDERING INFORMATION

SERIES	LENGTH (IN)*	COLOUR
*P1R standard model of pendant	6 12 18 24	W = white B = black SG = silver grey
*P2R Legend™ series	6 12 18 24	W = white B = black SG = silver grey
*P3R Aluminum slim edge-lit	6 12 18 24	W = white B = black SG = silver grey
*P4R Ultima™ plastic exit	6 12 18 24	W = white B = black SG = silver grey

*Other lengths available by request. Consult your sales representative.