



Type: _____
 Project/Location: _____
 Contractor: _____
 Prepared By: _____
 Date: _____
 Model No.: _____

TYPICAL SPECIFICATIONS

Supply and install **Ready-Lite® NMHZ Series** remote emergency lighting fixture. The fixture shall have a single- or double-lamp configuration (as specified) and shall include a fully gasketed Die-Cast aluminum back plate and a clear heavy-duty UV resistant polycarbonate cover. The fixture shall come standard with a 4" octagonal box, stainless steel tamper-proof screws and dedicated screwdriver bit. The fixture shall be certified for use in hazardous locations Class I, Division 2, Groups A, B, C and D and shall be listed to CSA C22.2 No.141-15 and CSA C22.2 No.137-M1981. The fixture shall be rated with a temperature code for the selected lamps as in the table below.

Each lamp in the fixture shall be able to be oriented without tools and should be equipped with MR16 halogen lamp(s) of _____ V _____ W.

The remote unit shall be **Ready-Lite®** model: _____ .

HAZARDOUS LOCATION FAMILY CLASS I, II AND III

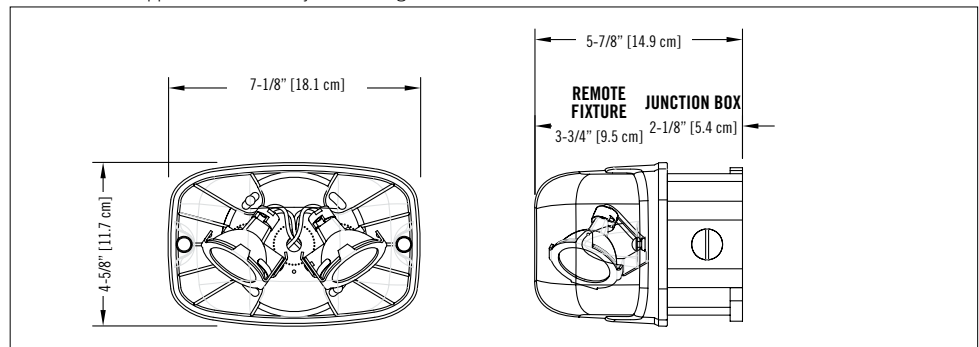


REPLACEMENT LAMPS

MODEL	LAMP TYPE	VOLTAGE/WATTAGE	TEMPERATURE CODE
580.0079-RL	MR16 flood	6V-10W	T3B (max. 165°C)
580.0068-RL	MR16-IR flood (high output)	12V-20W-H	T2C (max. 230°C)
580.0077-RL	MR16 flood	24V-20W	T2C (max. 230°C)
580.0080-RL	MR16 flood	12V-12W	T3B (max. 165°C)
580.0070-RL	MR16 flood	24V-12W	T3B (max. 165°C)
580.0097-RL	MR16, LED	6V-4W	T4A (max. 120°C)
580.0093-RL	MR16, LED	12V-4W	T5 (max. 100°C)
580.0104-RL	MR16, LED	12V-5W	T4A (max. 120°C)
580.0106-RL	MR16, LED	12V-6W	T4 (max. 135°C)
580.0098-RL	MR16, LED	24V-4W	T5 (max. 100°C)
580.0113-RL	MR16, LED	120V-4W	T4A (max. 135°C)

DIMENSIONS

Dimensions are approximate and subject to change.



FEATURES

- Quality illumination requires fewer fixtures
- Certified Class I Zone 2, Groups IIA, IIB and IIC
- Certified Class I Division 2, Groups A, B, C and D as per CSA C22.2 No.137-M1981
- Temperature Codes: T3B (10W and 12W MR16 lamps) and T2C (20W MR16 lamps), as per Canadian Electrical Code, Part I and CSA C22.2 No.137-M1981)
- Extreme operational temperature range: -40°C to +40°C.
- Choice of single- or double-lamp models
- High-efficacy MR16 halogen lamps of 10W, 12W and 20W as well as LED lamps of 4W, 5W and 6W
- Input voltage: 6V, 12V, 24V or 120V
- Fully gasketed Die-Cast aluminum back plate
- Clear polycarbonate cover, UV and impact resistant
- Easy installation on a 4" octagonal box (included)
- Comes standard with tamper-proof screws and bit
- Meets or exceeds CSA 22.2 No.141-15

ORDERING INFORMATION

SERIES	NUMBER OF LAMPS	VOLTAGE/WATTAGE	COLOUR
NMHZ	1= one lamp 2= two lamps	-LD1= MR16 LED, 6V-4W -LD7= MR16 LED, 12V-4W -LD9= MR16 LED, 12V-5W -LD10= MR16 LED, 12V-6W -LD13= MR16 LED, 24V-4W -LD26= MR16 LED, 120V-4W -6/10= MR16 halogen, 6V-10W -12/12= MR16 halogen, 12V-12W -12/20= MR16 halogen, 12V-20W -24/12= MR16 halogen, 24V-12W -24/20= MR16 halogen, 24V-20W -12/20H= MR16-IR, 12V-20W, high output	GY= grey

EXAMPLE: NMHZ1-6/10