



GUARDIAN™ SERIES

NEMA-3R
Wall Mounted, Remote Head



Type: _____
 Project/Location: _____
 Contractor: _____
 Prepared By: _____
 Date: _____
 Model No.: _____

TYPICAL SPECIFICATIONS

Wall mount unit shall be gasketed Die-Cast aluminum housing, impact resistant polycarbonate diffuser. The lamps shall be adjustable for aisle or area distribution. Fixture shall be supplied with gasket and shall be suitable for installation on any four inch octagonal box.

The remote unit shall be **Ready-Lite®** model: _____.

WIRE GUARDS

460.0082-RL	wall mount
-------------	------------

REPLACEMENT LAMPS

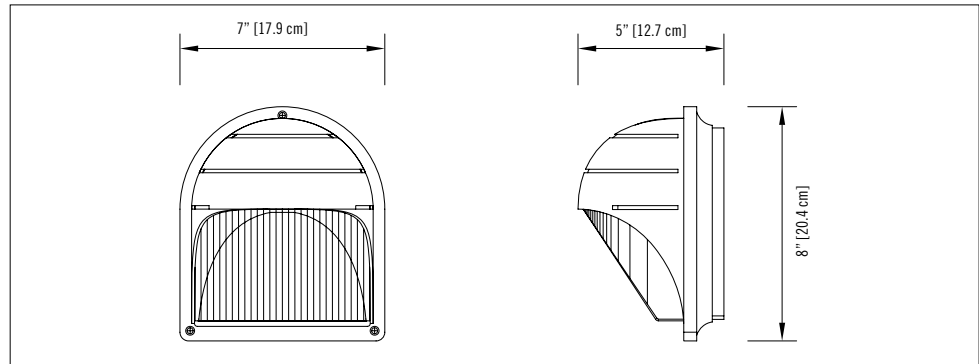
MODEL	LAMP TYPE	VOLTAGE/WATTAGE
580.0079-RL	MR16 flood	6V-10W
580.0080-RL	MR16 flood	12V-12W
580.0068-RL	MR16-IR flood	12V-20W
580.0070-RL	MR16 flood	24V-12W
580.0077-RL	MR16 flood	24V-20W
580.0097-RL	MR16, LED	6V-4W
580.0093-RL	MR16, LED	12V-4W
580.0104-RL	MR16, LED	12V-5W
580.0106-RL	MR16, LED	12V-6W
580.0098-RL	MR16, LED	24V-4W
580.0100-RL	MR16, LED	24V-6W

FEATURES

- Outdoor/Indoor installation
- Compact wall sconce unit for indoor and outdoor use
- High impact resistant polycarbonate diffuser
- Adjustable lamps
- Die-Cast aluminum housing
- Vandal resistant option
- CSA Certified to C22.2 No.141-15

DIMENSIONS

Dimensions are approximate and subject to change.



ORDERING INFORMATION

SERIES	LAMP TYPE	VOLTAGE/ WATTAGE	COLOUR	OPTIONS
GUA = exterior remote	Blank = (1) med. base socket only (max. 60W) no lamp included M = MR16	Blank = no lamps -LD1 = 2X MR16 LED, 6V-4W -LD7 = 2X MR16 LED, 12V-4W -LD9 = 2X MR16 LED, 12V-5W -LD10 = 2X MR16 LED, 12V-6W -LD13 = 2X MR16 LED, 24V-4W -LD14 = 2X MR16 LED, 24V-6W -LD26 = 2X MR16 LED, 120V-4W -6/10 = 2X MR16 halogen, 6V-10W -12/12 = 2X MR16 halogen, 12V-12W -12/20H = 2X MR16-IR, 12V-20W, high-output -24/12 = 2X MR16 halogen, 24V-12W -24/20 = 2X MR16 halogen, 24V-20W	Blank = factory white BK = black DG = dark grey	C = clear lens VR = vandal resistant screws* *990.0119-RL = tamper-proof bit (sold separately)

EXAMPLE: GAUM-LD10BK

Type: _____
 Project/Location: _____
 Contractor: _____
 Prepared By: _____
 Date: _____
 Model No.: _____



WIRE GUARDS

460.0033-RL	wall mount or ceiling mount
-------------	-----------------------------

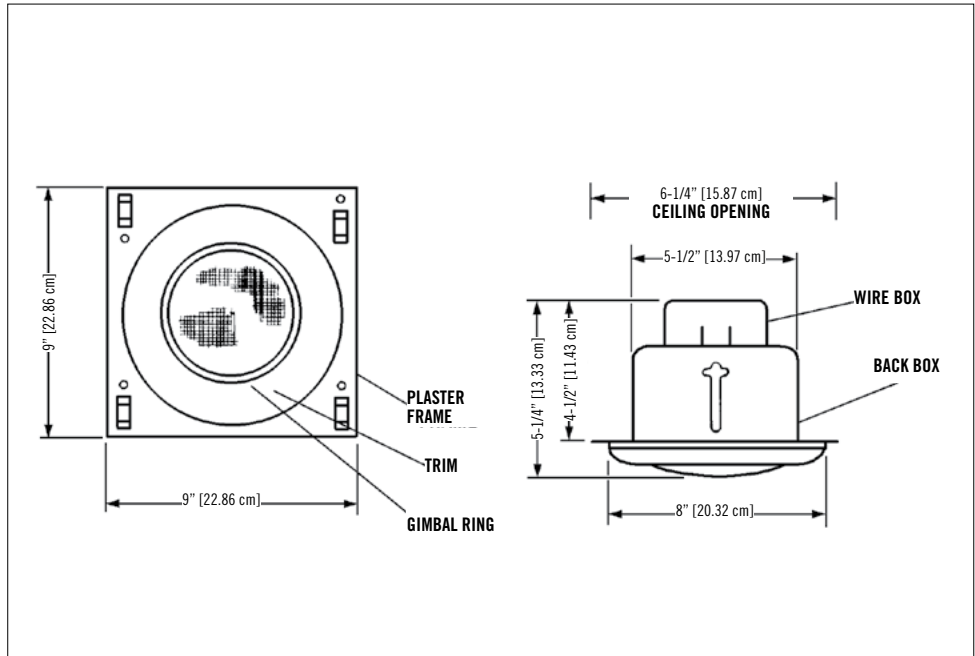
REPLACEMENT LAMPS

MODEL	LAMP TYPE	VOLTAGE/WATTAGE
570.0016-RL	tungsten	6V-9W
570.0025-RL	tungsten	12V-9W
570.0045-RL	tungsten	24V-9W

For the complete list, please see the lamp chart on pages 166 to 168

DIMENSIONS

Dimensions are approximate and subject to change.



FEATURES

- Durable thermoplastic trim (metal trim as an option)
- PAR 36 Gimbal ring adjustable on two planes to 45°
- Complete unit, no additional housing needed
- Certified CSA C22.2 No.141

ORDERING INFORMATION

SERIES	LAMP TYPE	HOUSING	VOLTAGE/WATTAGE	COLOUR
RF105 = PAR 36 recessed	Blank = tungsten Q = halogen S = sealed beam tungsten H = sealed beam halogen	Blank = plastic trim M = metal trim	6/9 = tungsten, 6V - 9W, wedge base 6/___ = tungsten, 6V - 18 or 25W, D.C.B. 12/___ = tungsten, 12V - 9 or 18W, wedge base 12/25 = tungsten, 12V - 25W, D.C.B. 24/___ = tungsten, 24V - 9 or 18W, wedge base 24/25 = tungsten, 24V - 25W, D.C.B. 6_ = halogen, 6V - 8, 12 or 20W, bi-pin 12/___ = halogen, 12V - 8, 12, 20 or 55W, bi-pin 24/___ = halogen, 24V - 20 or 70W, bi-pin 6/___ = tungsten, 6V - 8, 12, 18 or 25W, sealed beam 12/___ = tungsten, 12V - 12, 18 or 25W, sealed beam 6/___ = halogen, 6V - 8, 12 or 20W, sealed beam 12/___ = halogen, 12V - 8, 12 or 37W, sealed beam 32/___ = tungsten, 32V - 18 or 25W, D.C.B. 120/___ = 120V - 10 or 15W, D.C.B. 120/___ = halogen, 120V - 35 or 50W, D.C.B.	Blank = factory white B = black

Lamp 50W and above to use metal trim only.
 NOTE : "___" insert wattage required.

EXAMPLE: RF105H-12/12