

Type: \_\_\_\_\_  
 Project/Location: \_\_\_\_\_  
 Contractor: \_\_\_\_\_  
 Prepared By: \_\_\_\_\_  
 Date: \_\_\_\_\_  
 Model No.: \_\_\_\_\_



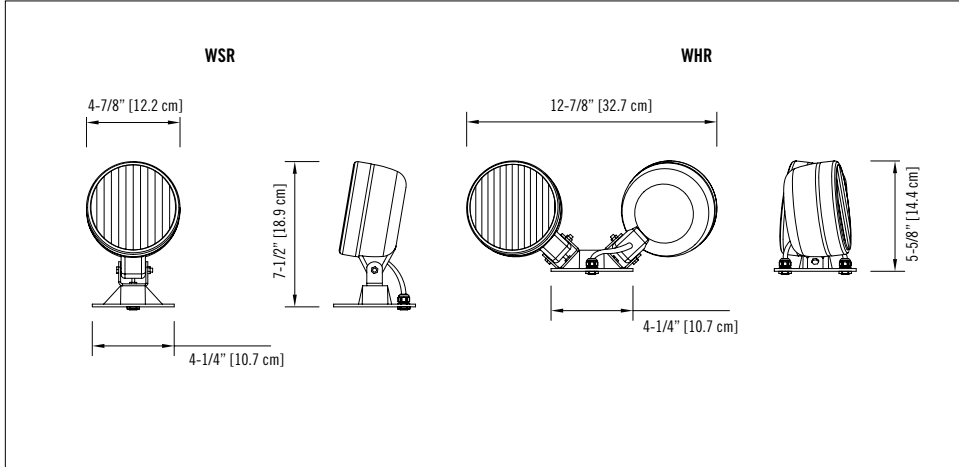
## REPLACEMENT LAMPS

MODEL	LAMP TYPE	VOLTAGE-WATTAGE
550.0026-RL	tungsten	12V-12W
550.0027-RL	tungsten	12V-18W
550.0023-RL	tungsten	12V-25W

For the complete list, please see the lamp chart on pages 166 to 168

## DIMENSIONS

Dimensions are approximate and subject to change.



## WSR & WHR SERIES

Remote Fixture

## FEATURES

- Sealed beam, surface-mounted, rubber coated industrial remote fixture
- For use in high pressure hose down areas
- Available only in black
- Certified CSA C22.2 No.141

## ORDERING INFORMATION

SERIES	NUMBER OF HEADS	VOLTAGE	OPTIONS
WSR= tungsten WHR= halogen	1= single 2= double	-6/___ = tungsten, 6V - 9, 12, 18 or 25W, sealed beam -12/___ = tungsten, 12V - 12, 18 or 25W, sealed beam -6/___ = halogen, 6V - 8, 12 or 20W, sealed beam -12/___ = halogen, 12V - 8, 12 or 37W, sealed beam	TC= teflon coated lens
		* NOTE: "___"= insert wattage required.	

EXAMPLE: WSR1-6/8