



RT/RQ/RM SERIES

Micro Tungsten Lamps,
Micro-Quartz Lamps, MR16
Lamps, or LED



Type: _____
 Project/Location: _____
 Contractor: _____
 Prepared By: _____
 Date: _____
 Model No.: _____

TYPICAL SPECIFICATIONS

Lamp head and stem shall be injection molded, impact resistant, flame retardant thermoplastic and shall require no tool for aiming or adjustment. The lens shall be inverse concave design and fully adjustable for aisle or area distribution during installation without the need to energize the lamp. Visual identification of distribution shall be provided through position of adjustment pins.

Fixture shall be supplied with a canopy for installation on any four inch octagon box. Housing shall be designed to allow for lamp replacement if required.

The remote unit shall be the **Ready-Lite®** model: _____

WIRE GUARDS

460.0029-RL	wall mount or ceiling mount
-------------	-----------------------------

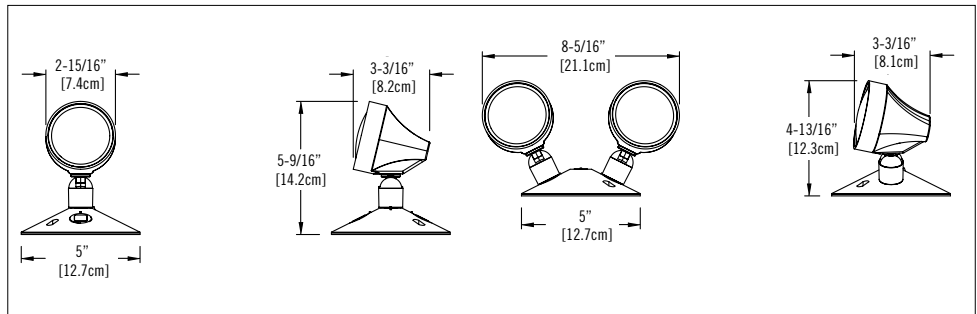
REPLACEMENT LAMPS

MODEL	AC SPECS	DC SPECS
570.0016-RL	tungsten	6V-9W
570.0045-RL	tungsten	24V-9W
580.0015-RL	halogen	12V-12W
580.0097-RL	MR16, LED	6V-4W
580.0093-RL	MR16, LED	12V-4W
580.0098-RL	MR16, LED	24V-4W
580.0104-RL	MR16, LED	12V-5W
580.0106-RL	MR16, LED	12V-6W
580.0100-RL	MR16, LED	24V-6W

For the complete list, please see the lamp chart on pages 166 to 168

DIMENSIONS

Dimensions are approximate and subject to change.



ORDERING INFORMATION

SERIES	NUMBER OF LAMPS	VOLTAGE/WATTAGE	COLOUR
RT = tungsten, wedge base RQ = halogen, quartz bi-pin RM = MR16 LED, halogen	1= single head 2= double head 3= triple head	-LD1 = MR16 LED, 6V-4W -LD7 = MR16 LED, 12V-4W -LD9 = MR16 LED, 12V-5W -LD10 = MR16 LED, 12V-6W -LD13 = MR16 LED, 24V-4W -LD14 = MR16 LED, 24V-6W -6/6 = MR16 halogen, 6V-6W -6/10 = MR16 halogen, 6V-10W -12/12 = MR16 halogen, 12V-12W -24/12 = MR16 halogen, 24V-12W -24/20 = MR16 halogen, 24V-20W -6/9 = 6V-9W, wedge base -12/9 = 12V-9W, wedge base -12/18 = 12V-18W, wedge base -24/9 = 24V-9W, wedge base -24/18 = 24V-18W, wedge base -6/8 = halogen, 6V-8W, bi-pin -12/8 = halogen, 12V-8W, bi-pin -12/12 = halogen, 12V-12W, bi-pin	Blank = factory white BK = black

EXAMPLE: RT1-6/9