



CADILITE® SERIES

Rugged, Versatile, Sophisticated

new product

NEMA-3R



Type:	_____
Project/Location:	_____
Contractor:	_____
Prepared By:	_____
Date:	_____
Model No.:	_____

TABLE A: SPACING FOR AVERAGE 1FC

MODEL TYPE	MOUNTING HEIGHT	WATTAGE CAPACITY	
		SINGLE	CENTRE-TO-CENTRE
standard	9'	6' X 50'	6' X 50'
with option -H	11'	6' X 60'	6' X 60' 3' X 70'
with option -FT	12'	6' X 40'	-
with option -FTH	15'	6' X 50'	-

Indoor reflectance: 80/50/20 and 10-ft wide corridor.
Outdoor reflectance: 0/30/10

Note: The illumination level meets ALL the requirements of the National Building Code-Canada and the Life Safety Code (NFPA 101):

- 1) Average of 1 foot-candle (10.7 lux) or more
- 2) Minimum at any point of 0.1 foot-candle (1.07 lux) or more
- 3) Maximum-to-minimum illumination uniformity ratio of 40:1 or less

FEATURES

- Four-LED light engine with redundant connections
- Powder-coated Die-Cast aluminum construction
- Clear Polycarbonate lens allows for maximum lumen output
- Surface Wall Mount
- Certified to the CSA 22.2 No.141
- NEMA-3R Damp and Wet locations
- Operating temperature -40°C to + 50°C

OPTIONS

- Forward-throw light distribution
- Dual-mode: normal and emergency LED lighting
- High-lumen output
- Photo-switch: dusk-to-dawn control of normal lighting
- Infrared remote control (normal lighting)

POWER CONSUMPTION

MODEL TYPE	AC SPECS: 120/347VAC				6-12VDC REMOTE
	NORMAL LIGHTING		EMERGENCY LIGHTING		
	CURRENT (MAX)	POWER (MAX)	CURRENT (MAX)	POWER (MAX)	POWER (MAX)
AC, ACDC, DC	0.12/0.05 A	12W	0.12/0.05 A	12W	8W
AC, ACDC, DC -H	0.18/0.07 A	18W	0.18/0.07 A	18W	14W
2AC (120VAC only)	0.12 A	12W	0.12 A	12W	-
2AC-H (120VAC only)	0.18 A	18W	0.18 A	18W	-

*Note: Only unswitched AC input, normal lighting with photo-switch or remote control.

CADILITE® FAMILY



Cadilite® Battery P. 102-103

Type: _____
 Project/Location: _____
 Contractor: _____
 Prepared By: _____
 Date: _____
 Model No.: _____

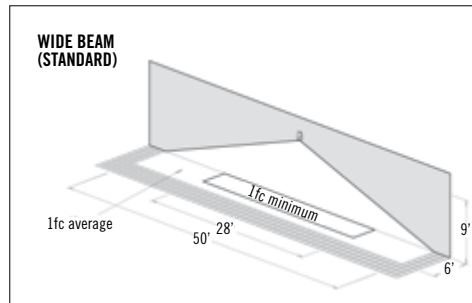
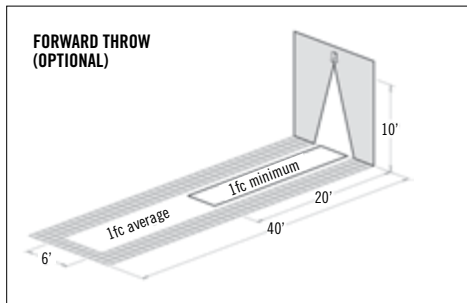
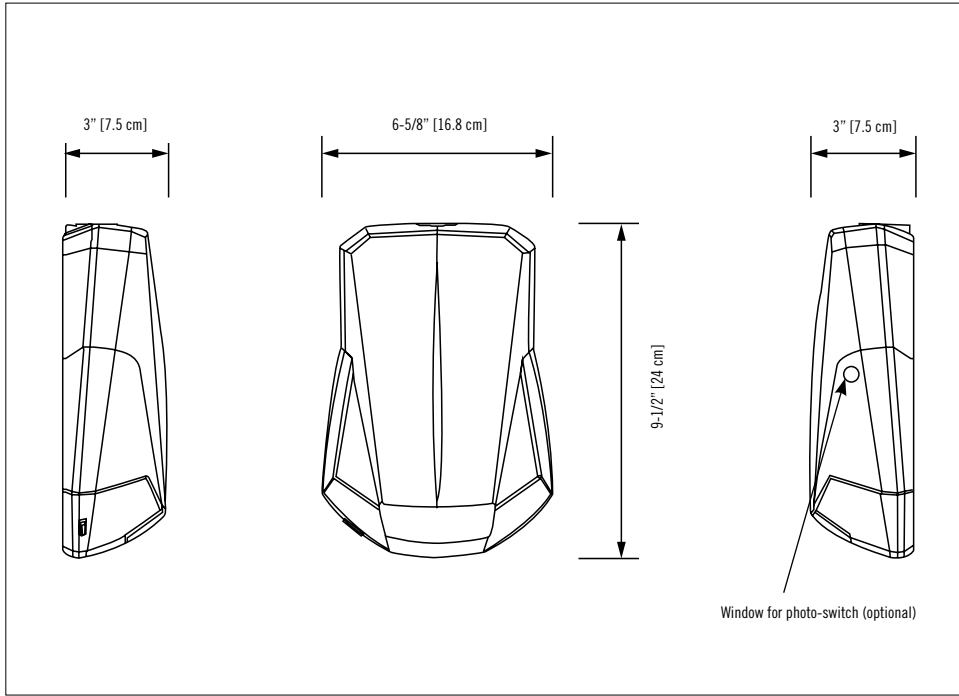


CADILITE® SERIES

Rugged, Versatile, Sophisticated

DIMENSIONS

Dimensions are approximate and subject to change.



ORDERING INFORMATION

SERIES	FUNCTION: REMOTE FIXTURES (-40... +50°C)	COLOUR	OPTIONS
CAD = cadilite® LED	AC = AC-only 120/347VAC ACDC = AC/6-12VDC remote DC = 6-12VDC remote fixture 2AC = AC-only two circuits: 120/120 or 277/277V	OW = off-white BK = black DB = dark bronze PG = platinum grey	-FT = forward throw lighting -H = high lumen output (-40...30°C) -P = photo-switch, normal lighting (models AC, ACDC only) -RC = remote control - infrared (models AC, ACDC only)* -U2 = 277VAC 60Hz input

***TB-RC1-R**= remote control keypad (sold separately)

EXAMPLE: CADACDBK-FT