



## LDX-I SERIES

6, 12 and 24V  
NEMA-12 Rated



Type:	_____
Project/Location:	_____
Contractor:	_____
Prepared By:	_____
Date:	_____
Model No.:	_____

### TYPICAL SPECIFICATIONS

Supply and install a complete emergency lighting system as described herein and shown on the drawings. The **Ready-Lite® Smart Diagnostic Micro** controller board shall supply the rated load for a minimum of a 1/2 hour to 87.5% of the rated battery voltage. The unit shall be rated 120V or 347V, 60 Hz and be CSA listed. The unit shall have an output of \_\_\_\_\_ V. The charger shall be fully computer tested and its charge voltage factory set to ± 1% tolerance. Chargers with field-adjusted potentiometers are not acceptable. A pulse-type charger shall be employed to promote long battery life and reduce the potential for grid corrosion. The charger shall provide a continuous high charge to recharge the battery and when the battery is at full capacity, the charger will shut off. Periodically the charger shall provide a pulse of energy to keep the battery topped off. The Pulse charge shall be current limited and precisely regulated by a micro-processing circuit, which samples the battery in relation to its temperature, state or charge and input voltage fluctuations. The charger shall be current limited, temperature compensated, short-circuit proof and reverse polarity protected.

The unit shall be furnished with an electronic lockout circuit, which will connect the battery when the AC circuit is activated, and an electronic brownout circuit, which will activate the emergency lights when utility power dips below 75% of nominal voltage. A low voltage battery protection circuit shall be provided and will disconnect the battery from the fused output circuit at the end of discharge. The unit shall self-test for 1 minute every 30 days, 10 minutes every 6 months and 30 minutes every 12 months. The unit shall be capable of full recharge in compliance with CSA specifications. The unit shall be furnished with a sealed dust tight relay, a test switch and diagnostic LED indicator lights to continuously monitor the status of the unit: Battery Failure, Battery Disconnected, Charger Failure, Lamp Failure, Service Alarm, AC "ON", Charger High Rate.

The unit shall be **Ready-Lite®** model: \_\_\_\_\_.

### WIRE GUARDS

460.0034-RL	wall mount
-------------	------------

### REPLACEMENT LAMPS

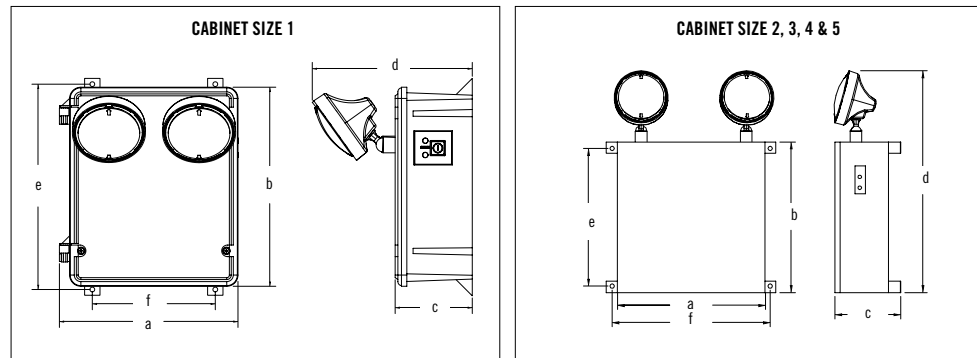
MODEL	LAMP TYPE	VOLTAGE/WATTAGE
570.0016-RL	tungsten (WT9)	6V-9W
570.0025-RL	tungsten (WT9)	12V-9W
570.0045-RL	tungsten (WT9)	24V-9W

### HARSH ENVIRONMENT EMERGENCY LIGHTING UNITS WITH STEEL, THERMOPLASTIC OR FIBERGLASS CABINETS.

The **LDX-I Series** battery units are specifically designed for use in industrial facilities where equipment is exposed to dust, water, oil or corrosive substances. NEMA-12 classified to protect circuitry from harmful dust or liquid sprays, sealed and gasketed unit cabinets are available in steel, thermoplastic or fiberglass in a variety of sizes.

### FEATURES

- Solid-state pulse-type charger—current-limited, temperature compensated, short-circuit proof and reverse-polarity protected.
- Unit comes standard with electronic lockout and brownout circuits
- Sealed dust-proof transfer relay, test switch and LED indicator lights
- Long-life, maintenance-free sealed lead acid battery
- NEXUS® compatible (for more information on NEXUS®, please consult your sales representative)
- CSA C22.2 No. 141-15 certified
- Standard 120/347VAC input



CABINET	DIMENSIONS					
	a	b	c	d	e	f
size 1 thermoplastic	11-5/8" [29.5 cm]	13" (33.0 cm)	5" (12.7 cm)	10-3/8" (26.4 cm)	12-15/16" (32.8 cm)	8" (20.3 cm)
size 2 fiberglass	13-1/4" (33.8 cm)	15-3/8" (38.9 cm)	6-3/4" (17.0 cm)	21" (53.3 cm)	14-3/4" (37.5 cm)	8-1/8" (20.6 cm)
size 3 fiberglass	16-3/8" (41.5 cm)	24-1/4" (61.5 cm)	9-1/4" (23.4 cm)	30-3/8" (77.3 cm)	-	-
size 4 steel	13" (33.0 cm)	13-1/4" (33.8 cm)	5-7/8" (14.8 cm)	19-1/2" (49.6 cm)	12-1/8" (30.8 cm)	13-15/16" (35.3 cm)
size 5 steel	16" (40.6 cm)	20" (50.8 cm)	9-1/8" (23.3 cm)	26-1/4" (66.7 cm)	-	-

Type: \_\_\_\_\_  
 Project/Location: \_\_\_\_\_  
 Contractor: \_\_\_\_\_  
 Prepared By: \_\_\_\_\_  
 Date: \_\_\_\_\_  
 Model No.: \_\_\_\_\_

## POWER CONSUMPTION AND UNIT RATING

MODEL	AC SPECS	WATTAGE CAPACITY				
		30MIN	1H00	1H30	2H00	4H00
LDX6-36	0.10/0.04A	36	21	15	12	6
LDX6-72	0.22/0.08A	72	42	30	24	12
LDX6-108	0.22/0.08A	108	63	45	36	18
LDX6-180	0.22/0.08A	180	105	75	60	30
LDX12-36	0.09/0.03A	36	21	15	12	6
LDX12-72	0.15/0.06A	72	42	30	24	12
LDX12-100	0.34/0.12A	100	58	42	33	17
LDX12-144	0.40/0.14A	144	84	60	48	24
LDX12-200	0.41/0.14A	200	117	83	67	33
LDX12-250	0.41/0.14A	250	144	100	83	42
LDX12-360	0.43/0.15A	360	200	144	108	60
LDX24-144	0.55/0.20A	144	84	60	48	24
LDX24-288	0.67/0.23A	288	168	120	96	48
LDX24-350	0.67/0.23A	350	200	144	120	60
LDX24-432	0.67/0.23A	432	250	180	144	72
LDX24-550	0.88/0.33A	550	320	230	180	90
LDX24-720	0.88/0.33A	720	400	288	216	120



**LDX-I SERIES**  
 6, 12 and 24V  
 NEMA-12 Rated

## ORDERING INFORMATION

SERIES	CAPACITY	HOUSING	SPECIAL OPTIONS	# OF HEADS	HEAD STYLE/LAMP WATTAGE	OPTIONS	AC VOLTAGE
LDX6= 6V	-36= 36W (1,2,5)	ITC= thermoplastic cabinet IFG= standard fiberglass ISC= heavy duty steel cabinet	Blank= standard AD= auto-diagnostic* ADN= auto-diagnostic, non-audible* NEX= NEXUS® system interface* NEXRF= wireless NEXUS® system interface*	Blank= no heads 1= one head 2= two heads	WPLD1= MR16 LED, 6V-4W WPLD7= MR16 LED, 12V-4W WPLD9= MR16 LED, 12V-5W WPLD10= MR16 LED, 12V-6W WPLD13= MR16 LED, 24V-4W WPLD14= MR16 LED, 24V-6W WT9= large tungsten, 6V, 12V, 24V-9W, wedge base WT18= large tungsten, 12V, 24V-18W, wedge base WT25= large tungsten, 6V, 12V, 24V-25W, DCB WQ8= large halogen, 6V, 12V- 8W, bi-pin WQ12= large halogen, 6V, 12V-12W, bi-pin WQ20= large halogen, 6V, 12V, 24V-20W, bi-pin WQ55= large halogen, 12V-55W, H3 WQ70= large halogen, 24V-70W, H3 WS8= large tungsten, 6V, 12V-8W, sealed beam WS18= large tungsten, 6V, 12V-18W, sealed beam WS25= large tungsten, 6V, 12V-25W, sealed beam WH8= large halogen, 6V, 12V-8W, sealed beam WH12= large halogen, 6V, 12V-12W, sealed beam WH20= large halogen, 6V-20W, sealed beam WSR8= large rubber, tungsten, 6V-8W, sealed beam WSR18= large rubber, tungsten, 6V, 12V-18W, sealed beam WSR25= large rubber, tungsten, 6V, 12V-25W, sealed beam WHR8= large rubber, halogen, 6V, 12V-8W, sealed beam WHR12= large rubber, halogen, 6V, 12V-12W, sealed beam WHR20= large rubber, halogen, 6V-20W, sealed beam	A= ammeter D= time delay (programmable) FP= food processing lens*** IT= AC terminal block ITOT= AC/DC terminal block LB= light activated test switch LC= line cord (120V)** LD= lamp disconnect OT= DC terminal block TL= twist-lock plug (120V)** V= voltmeter	Blank= 120/347VAC input U27= 277VAC input
	-72= 72W (1,2,5)						
	-108= 108W (1,2,5)						
	-180= 180W (1,2,5)						
LDX12= 12V	-36= 36W (1,2,5)						
	-72= 72W (1,2,5)						
	-100= 100W (1,2,5)						
	-144= 144W (1,2,5)						
	-200= 200W (1,2,5)						
-250= 250W (3,6)							
-360= 360W (3,6)							
LDX24= 24V	-144= 144W (1,2,5)						
	-288= 288W (1,2,5)						
	-350= 350W (4,7)						
	-432= 432W (4,7)						
	-550= 550W (4,7)						
-720= 720W (4,7)							

EXAMPLE: LDX12-144ISC2WQ55A