

TYPICAL SPECIFICATIONS

Supply and install a complete emergency lighting system as described herein and shown on the drawings.

The **Ready-Lite® Smart Diagnostic** micro-controller board shall supply the rated load for a minimum of a 1/2 hour to 87.5% of the rated battery voltage. The unit shall be rated 120V or 347V, 60 Hz and be CSA listed. The unit shall have an output of: _____V and _____W. The charger shall be fully computer tested and its charge voltage factory set to ± 1% tolerance. Chargers with field-adjusted potentiometers are not acceptable. A pulse-type charger shall be employed to promote long battery life and reduce the potential for grid corrosion. The charger shall provide a continuous high charge to recharge the battery, and when the battery is at full capacity, the charger will shut off. Periodically the charger shall provide a pulse of energy to keep the battery topped off. The pulse charger shall be precisely regulated and shall charge the battery in relation to its temperature, state of charge and input voltage fluctuations. The charger shall be current limited, temperature compensated, short-circuit proof and reverse polarity protected.

The unit shall be furnished with an electronic lockout circuit, which will connect the battery when the AC circuit is activated, and an electronic brownout circuit, which will activate the emergency lights when utility power dips below 75% of nominal voltage. A low voltage battery protection circuit shall be provided and will disconnect the load when the battery reaches the end of discharge. The unit shall self-test for 1 minute every 30 days, 10 minutes every 6 months and 30 minutes every 12 months. The unit shall be capable of full recharge in compliance with CSA specifications. The unit shall be furnished with a sealed dust tight relay, a test switch and diagnostic LED indicator lights to continuously monitor the status of the unit: Battery Failure, Battery Disconnected, Charger Failure, Lamp Failure, Service Alarm, AC "ON", Charger High Rate. The emergency lighting heads shall require no tools for orientation.

The unit shall be **Ready-Lite®** model: _____.

WIRE GUARDS

| | | |
|-------------|------------|-------------|
| 460.0078-RL | wall mount | "A" cabinet |
| 460.0081-RL | wall mount | "B" cabinet |
| 460.0034-RL | wall mount | "C" cabinet |

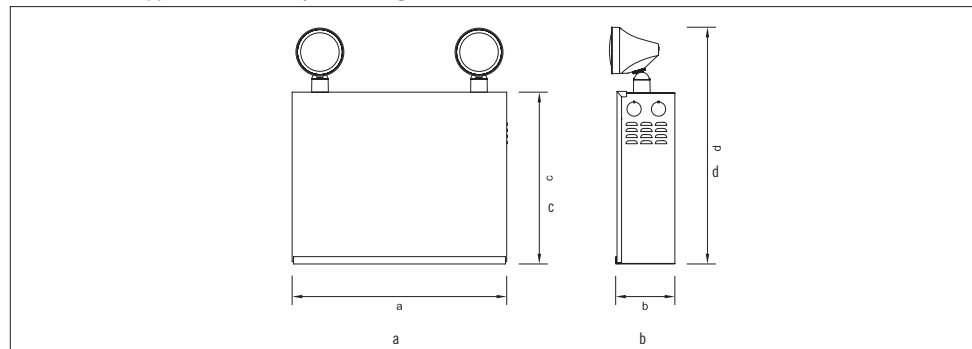
REPLACEMENT LAMPS

| ORDERING CODE | LAMP TYPE | VOLTAGE/WATTAGE |
|---------------|-----------|-----------------|
| 580.0097-RL | MR16, LED | 6V-4W |
| 580.0122-RL | MR16, LED | 6V-5W |
| 580.0093-RL | MR16, LED | 12V-4W |
| 580.0104-RL | MR16, LED | 12V-5W |
| 580.0106-RL | MR16, LED | 12V-6W |
| 580.0098-RL | MR16, LED | 24V-4W |
| 580.0100-RL | MR16, LED | 24V-6W |

| CABINET | DIMENSIONS | | | | |
|---------|-------------------|------------------|-------------------|-------------------|-------------------|
| | a | b | c | d | e |
| A | 13-1/4" (33.7 cm) | 3-5/8" (9.2 cm) | 10-1/2" (26.7 cm) | 14-1/4" (36.2 cm) | 16-1/2" (41.9 cm) |
| B | 16-1/8" (40.9 cm) | 5-1/2" (13.9 cm) | 10-1/4" (26.0 cm) | 13-7/8" (35.2 cm) | 16-1/8" (41.0 cm) |
| C | 23-1/8" (58.7 cm) | 5-1/2" (13.9 cm) | 10-1/4" (26.0 cm) | 13-7/8" (35.2 cm) | 16-1/8" (41.0 cm) |

DIMENSIONS

Dimensions are approximate and subject to change.



LDX SERIES

6, 12 and 24V

10-YEAR LIFE EXPECTANCY, MAINTENANCE-FREE EMERGENCY LIGHTING UNITS.

The **LDX Series** battery units combine long life expectancy, high-performance design and a reasonable initial cost outlay. Ideally suited for a range of commercial applications, the long-life lead acid battery is specifically recommended for environments where the unit will be exposed to large variances in ambient temperature.

FEATURES

- Rugged steel cabinet with corrosion-resistant undercoating
- Removable front panel on cabinet provides easy access and allows the unit to be mounted at ceiling height
- Solid-state pulse-type charger – current-limited, temperature compensated, short-circuit proof and reverse-polarity protected.
- Unit comes standard with electronic lockout and brownout circuits
- Sealed dust-proof transfer relay, test switch and LED indicator lights
- Long-life, maintenance-free lead acid battery
- NEXUS® compatible (for more information on NEXUS®, please consult your sales representative)
- CSA C22.2 No. 141-15 certified
- Standard 120/347 VAC input with line cord kit
- Advanced diagnostics capabilities (specific load requirements)

See warranty details at: www.tnb.ca/en/brands/ready-lite

POWER CONSUMPTION AND UNIT RATING

| MODEL | AC SPECS | | WATTAGE CAPACITY | | | | |
|----------|------------|---------------|------------------|------|------|------|------|
| | | | 30 MIN | 1H00 | 1H30 | 2H00 | 4H00 |
| LDX636 | 120/347VAC | 0.10/0.04 A | 36 | 21 | 15 | 12 | 6 |
| LDX672 | | 0.22/0.08 A | 72 | 42 | 30 | 24 | 12 |
| LDX6108 | | 0.22/0.08 A | 108 | 63 | 45 | 36 | 18 |
| LDX6180 | | 0.22/0.08 A | 180 | 105 | 75 | 60 | 30 |
| LDX1236 | | 0.09/0.03 A | 36 | 21 | 15 | 12 | 6 |
| LDX1272 | | 0.15/0.06 A | 72 | 42 | 30 | 24 | 12 |
| LDX12100 | | 0.34/0.12 A | 100 | 58 | 42 | 33 | 17 |
| LDX12144 | | 0.40/0.14 A | 144 | 84 | 60 | 48 | 24 |
| LDX12200 | | 0.41/0.14 A | 200 | 117 | 83 | 67 | 33 |
| LDX12250 | | 0.41/0.14 A | 250 | 144 | 100 | 83 | 42 |
| LDX12360 | | 0.41/0.14 A | 360 | 200 | 144 | 108 | 60 |
| LDX24144 | | 0.43/0.15 A | 144 | 84 | 60 | 48 | 24 |
| LDX24200 | | 0.55 / 0.20 A | 200 | 117 | 83 | 67 | 33 |
| LDX24288 | | 0.67 / 0.23 A | 288 | 168 | 120 | 96 | 48 |
| LDX24350 | | 0.67 / 0.23 A | 350 | 200 | 144 | 120 | 60 |
| LDX24432 | | 0.67 / 0.23 A | 432 | 250 | 180 | 144 | 72 |
| LDX24550 | | 0.88 / 0.33 A | 550 | 320 | 230 | 180 | 90 |
| LDX24720 | | 0.88 / 0.33 A | 720 | 420 | 300 | 240 | 120 |

Note: Low wattage LED lamps provide extended time of emergency lighting without additional power.



LDX SERIES

6, 12 and 24V

ORDERING INFORMATION

| SERIES | CAPACITY & CABINET SIZE ¹ | SPECIAL OPTIONS | # OF HEADS | HEAD STYLE/LAMP WATTAGE | COLOUR | AC VOLTAGE | OPTIONS |
|------------|----------------------------------------------------------------------------------------------------------------------------|-----------------------------------------------------------------------------------------------------------------------------------------------------------------------------------------------------------------------------------------------|------------------------------------------------------------------|------------------------------------------------------------------------------------------------------------------------------------------------------------------------------|-----------------------------------|------------------------------------------------|------------------------------------------------------------------------------------------------------------------------------------------------------------------------------------------------------------------------------------------------------------------------------------------------------------------------------------------------------------------------------------------------------------------------------------------------------------------------------|
| LDX6= 6V | -36= 36W (A) -72= 72W (A) -108= 108W (A) -180= 180W (B) | AD= auto-diagnostic, audible ¹ ADN= auto-diagnostic, non-audible ¹ Blank= no options NEX= NEXUS [®] system interface ¹ NEXRF= wireless NEXUS [®] system interface ¹ | 1= one head 2= two heads 3= three heads Blank= no heads | LD1= MR16 LED, 6V-4W LD2= MR16 LED, 6V-5W LD7= MR16 LED, 12V-4W LD9= MR16 LED, 12V-5W LD10= MR16 LED, 12V-6W LD13= MR16 LED, 24V-4W LD14= MR16 LED, 24V-6W | BK= black Blank= factory white | Blank= 120/347 VAC input U277= 277VAC input | A= ammeter CPS3 = constant power supply 3 Amps, 24V only ¹ CT= cab-tire D3= time delay IT= AC terminal block ITOT= AC/DC terminal block LB= light activated test switch LD= lamp disconnect OT= DC terminal block RFI= radio frequency interference filter 120VAC RF3= radio frequency interference filter, 347VAC TL= Cord and twist lock plug (120V only) ² V= voltmeter ZCP= zone control panel ³ |
| LDX12= 12V | -36= 36W (A) -72= 72W (A) -100= 100W (A) -144= 144W (A) -200= 200W (B) -250= 250W (B) -360= 360W (B) | | | | | | |
| LDX24= 24V | -144= 144W (A) -200= 200W (B) -288= 288W (B) -350= 350W (C) -432= 432W (C) -550= 550W (C) -720= 720W (C) | | | | | | |

¹ Minimum lamp load required: 20% of unit capacity.

Not all options available with NEXUS[®] System. Please consult your sales representative.

Not available with 6V-108W.

¹ Cabinet size is not part of nomenclature.

¹ "C" Cabinet only. 24V, 144W-720W.

² 120V is standard

³ See zone control panel in battery unit section. B & C cabinet only.

EXAMPLE: LDX6-362LD1BKIT