



# ULTIMA™ SERIES

Thermoplastic, 6 and 12V



Type: \_\_\_\_\_  
 Project/Location: \_\_\_\_\_  
 Contractor: \_\_\_\_\_  
 Prepared By: \_\_\_\_\_  
 Date: \_\_\_\_\_  
 Model No.: \_\_\_\_\_

## TYPICAL SPECIFICATIONS

Supply and install the **Ready-Lite® Ultima™ Series** battery unit equipment. The unit construction shall include a housing and a front cover of high-impact thermoplastic moulded in white. No screws shall be necessary to hold the front cover to the housing. The unit shall be equipped with two emergency heads with adjustable swivels and MR-16 lamps of \_\_\_\_\_ V \_\_\_\_\_ W protected by snap-on shock-absorbent, clear polycarbonate covers. The unit shall be suitable for wall mount or as otherwise specified. The unit equipment shall have a dual-voltage input of 120/347VAC and shall be equipped with a test switch and a green pilot light, located on the left side.

The housing shall host the battery and the battery charger. The battery charger and other unit functions shall be driven by a micro-controller. All electronic circuitry shall be installed on a single printed circuit board. When specified, the unit equipped with auto-test shall automatically self-test for one minute every 30 days, 10 minutes every 6 months and 30 minutes annually. When a fault is detected, the bi-colour pilot light shall turn from green to red and start flashing. A legend on a label next to the pilot light shall display the source of failure: battery, charger circuitry or lamp load.

The unit equipment shall be listed to the standard CSA 22.2 No.141-15.

The unit equipment shall be **Ready-Lite®** model: \_\_\_\_\_.

## WIRE GUARDS

460.0080-RL	wall mount or ceiling mount
-------------	-----------------------------

## REPLACEMENT LAMPS

ORDERING CODE	LAMP TYPE	VOLTAGE/ WATTAGE
580.0079-RL	MR16 halogen	6V-10W
580.0080-RL	MR16 halogen	12V-12W
580.0064-RL	MR16 halogen	12V-20W
580.0097-RL	MR16, LED	6V-4W
580.0093-RL	MR16, LED	12V-4W
580.0104-RL	MR16, LED	12V-5W
580.0106-RL	MR16, LED	12V-6W

## POWER CONSUMPTION AND UNIT RATING

MODEL	AC SPECS		WATTAGE CAPACITY				
			30MIN	1H00	1H30	2H00	4H00
640	120/347VAC	0.25 / 0.09 A	40	23	16	12	-
672			72	42	30	24	12
1280			80	44	32	26	13
12120			120	70	50	40	20
12150			150	84	60	48	24

### ULTIMA™ FAMILY



Ultima™ Exit P. 53

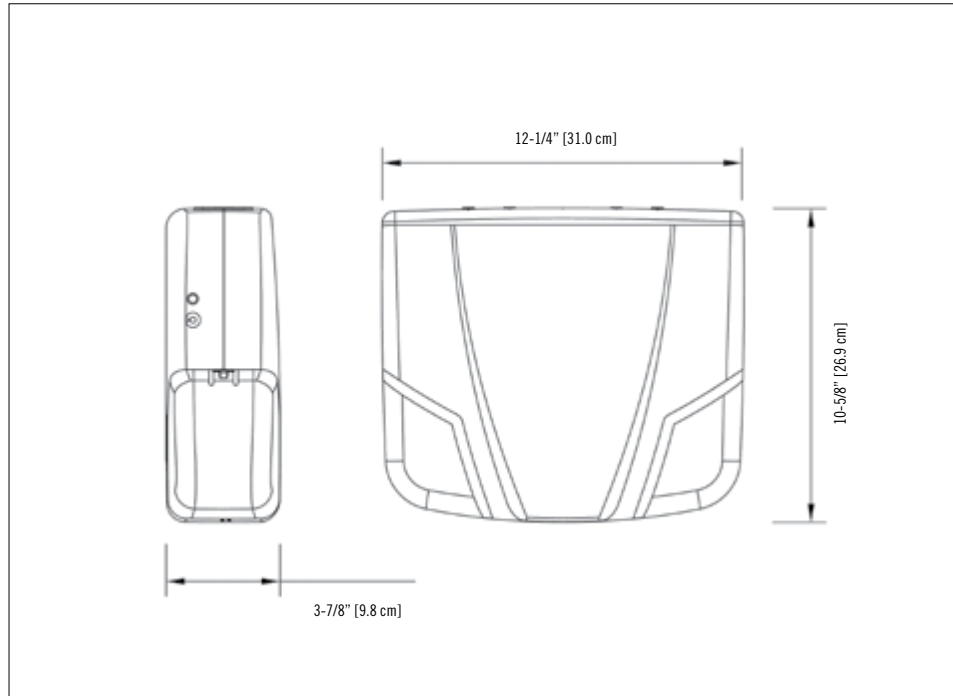


Ultima™ Combo P. 56-57

Type: \_\_\_\_\_  
 Project/Location: \_\_\_\_\_  
 Contractor: \_\_\_\_\_  
 Prepared By: \_\_\_\_\_  
 Date: \_\_\_\_\_  
 Model No.: \_\_\_\_\_

## DIMENSIONS

Dimensions are approximate and subject to change.



## ULTIMA™ SERIES

Thermoplastic, 6 and 12V

## ORDERING INFORMATION

SERIES	CAPACITY	UNIT TYPE	HEADS	LAMPS	COLOUR	VOLTAGE	OPTIONS
ULT6= 6V	40= 40W 72= 72W	Blank= standard AD= auto-diagnostic* ADN= auto-diagnostic, non-audible* NEX= NEXUS® system interface* NEXRF= wireless NEXUS® system interface*	0= no heads 2= two heads	LD1= MR16 LED, 6V-4W LD7= MR16 LED, 12V-4W LD9= MR16 LED, 12V-5W LD10= MR16 LED, 12V-6W RM6= MR16 halogen, 6V-6W RM10= MR16 halogen, 6V-10W RM12= MR16 halogen, 12V-12W RM20= MR16 halogen, 12V-20W	W= factory white B= black	Blank= 120/347VAC 2= 120/277VAC	Blank= no options CM= ceiling mount D3= time delay (15 mins.) LC= line cord (120V) PM= pendant mount*
ULT12= 12V	80= 80W 120= 120W 150= 150W	*Minimum lamp load required: 20% of unit capacity  *Not all options available with NEXUS® System. Please consult your sales representative					*Pendant kit sold separately. Refer to page 197

EXAMPLE: ULT6402RM6W