



Type:	_____
Project/Location:	_____
Contractor:	_____
Prepared By:	_____
Date:	_____
Model No.:	_____

TYPICAL SPECIFICATIONS

Supply and install a complete emergency lighting system as described herein and shown on the drawings.

The **Ready-Lite® Smart Diagnostic** Micro controller board shall supply the rated load for a minimum of a 30 minutes to 87.5% of the rated battery voltage. The unit shall be rated 120V or 347V, 60 Hz and be CSA listed. The unit shall have an output of _____ V.

The charger shall be fully computer tested and its charge voltage factory set to ± 1% tolerance. Chargers with field-adjusted potentiometers are not acceptable. A pulse-type charger shall be employed to promote long battery life and reduce the potential for grid corrosion. The charger shall provide a continuous high charge to recharge the battery and when the battery is at full capacity, the charger will shut off. Periodically the charger shall provide a pulse of energy to keep the battery topped off. The charger shall be current limited, temperature compensated, short-circuit proof and reverse polarity protected. The unit shall be furnished with an electronic lockout circuit, which will connect the battery when the AC circuit is activated, and an electronic brownout circuit, which will activate the emergency lights when utility power dips below 75% of nominal voltage. A low voltage battery protection circuit shall be provided and will disconnect the battery from the fused output circuit at the end of discharge.

The unit shall self-test for 1 minute every 30 days, 10 minutes every 6 months and 30 minutes every 12 months. The unit shall be capable of full recharge in compliance with a CSA specifications. The unit shall be furnished with a sealed dust tight relay, a test switch and seven diagnostic LED indicator lights to continuously monitor the status of the unit: Battery Failure, Battery Disconnected, Charger Failure, Lamp Failure, Service Alarm, AC "ON", Charger High Rate. The unit shall be T-bar mounted and come complete with tool-less emergency lighting heads requiring no tools to adjust or aim.

The unit shall be **Ready-Lite®** model: _____ .

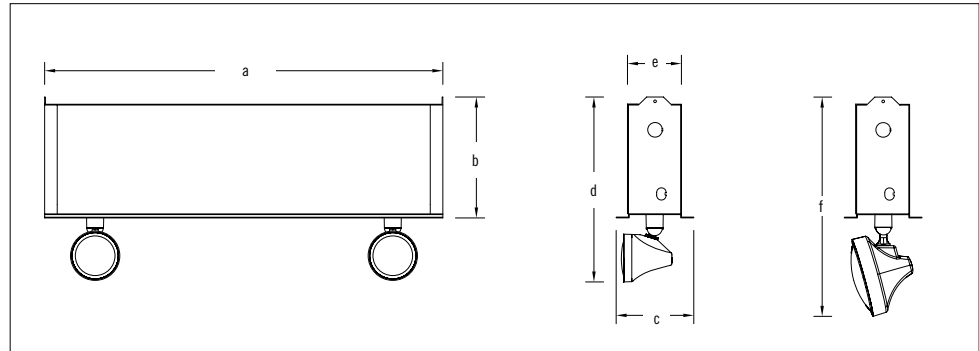
REPLACEMENT LAMPS

ORDERING CODE	LAMP TYPE	VOLTAGE/WATTAGE
570.0016-RL	mini tungsten	6V-9W
570.0025-RL	mini tungsten	12V-9W
570.0045-RL	mini tungsten	24V-9W
580.0097-RL	MR16, LED	6V-4W
580.0093-RL	MR16, LED	12V-4W
580.0104-RL	MR16, LED	12V-5W
580.0106-RL	MR16, LED	12V-6W
580.0098-RL	MR16, LED	24V-4W
580.0100-RL	MR16, LED	24V-6W

For the complete list, please see the lamp chart on pages 166 to 168

DIMENSIONS

Dimensions are approximate and subject to change.



CABINET	DIMENSIONS					
	a	b	c	d	e	f
Large Cabinet	23-3/4" (60.3 cm)	7-1/4" (18.4 cm)	7-1/8" (18.1 cm)	10-5/8" (27.0 cm)	5-5/8" (14.3cm)	13" (33.0 cm)
Small Cabinet	23-3/4" (60.3 cm)	7-1/4" (18.4 cm)	4-5/8" (11.7 cm)	10-5/8" (27.0 cm)	3-1/4" (8.3 cm)	13" (33.0 cm)



LDX-T SERIES

6, 12, 24V T-Bar Unit

FULLY RECESSED UNITS FOR T-BAR MOUNTING IN SUSPENDED CEILINGS.

The **LDX-T Series** battery units are designed for T-bar ceiling grid installation. This slim-line, unobtrusive unit is ideally suited for any commercial location where there is limited wall space and where the greater directional flexibility of ceiling-mounted heads is needed to provide greater light distribution.

FEATURES

- Rugged steel cabinet with corrosion-resistant undercoating.
- Battery and charger are concealed above the ceiling level in the unit cabinet
- Removable panel provides easy access to battery and circuitry
- Test switch and LED indicators are mounted on the visible bottom panel
- Units mount quickly and easily in standard 2' x 2' or 2' x 4' grids without any additional hardware
- Solid-state pulse-type charger – current-limited, temperature-compensated, short-circuit proof and reverse-polarity protected
- Unit comes standard with electronic lockout and brownout circuits
- Sealed dust-proof transfer relay, test switch and LED indicator lights
- Long-life, maintenance-free lead acid battery
- NEXUS® compatible (for more information on NEXUS®, please consult your sales representative)
- CSA C22.2 No. 141-15 certified

Type: _____
 Project/Location: _____
 Contractor: _____
 Prepared By: _____
 Date: _____
 Model No.: _____

POWER CONSUMPTION AND UNIT RATING

MODEL	AC SPECS		WATTAGE CAPACITY				
			30MIN	1H00	1H30	2H00	4H00
LDX636	120/347VAC	0.10/0.04 A	36	21	15	12	6
LDX672		0.22/0.08 A	72	42	30	24	12
LDX108		0.22/0.08 A	108	63	45	36	18
LDX180		0.22/0.08 A	180	105	75	60	30
LDX1236		0.09/0.03 A	36	21	15	12	6
LDX1272		0.15/0.06 A	72	42	30	24	12
LDX12100		0.34/0.12 A	100	58	42	33	17
LDX12144		0.40/0.14 A	144	84	60	48	24
LDX12216		0.41/0.14 A	216	120	90	72	36
LDX24144		0.55/0.20 A	144	84	60	48	24
LDX24288		0.67/0.23 A	288	168	120	96	48



LDX-T SERIES

6, 12, 24V T-Bar Unit

ORDERING INFORMATION

SERIES	CAPACITY	SPECIAL OPTIONS	# OF HEADS	HEAD STYLE LAMP WATTAGE	COLOUR	AC VOLTAGE	OPTIONS
LDX6= 6V	-36T= 36W (S) -72T= 72W (S) -108T= 108W (S) -180T= 180W (L)	Blank = standard AD = auto-diagnostic* ADN = auto-diagnostic, non-audible* NEX = NEXUS® system interface* NEXRF = wireless NEXUS® system interface*	Blank = no heads 1 = one head 2 = two heads 3 = three heads	LD1 = MR16 LED, 6V-4W LD7 = MR16 LED, 12V-4W LD9 = MR16 LED, 12V-5W LD10 = MR16 LED, 12V-6W LD13 = MR16 LED, 24V-4W LD14 = MR16 LED, 24V-6W 150LD1 = deco head, MR16 LED, 6V-4W* 150LD7 = deco head, MR16 LED, 12V-4W* 150LD9 = deco head, MR16 LED, 12V-5W* 150LD10 = deco head, MR16 LED, 12V-6W* 150LD13 = deco head, MR16 LED, 24V-4W* RM6 = MR16 halogen, 6V-6W RM10 = MR16 halogen, 6V-10W RM12 = MR16 halogen, 12V, 24V-12W 150MA = deco head, MR16 halogen, 12V-20W* 150MB = deco head, MR16 halogen, 12V-35W* 150MC = deco head, MR16 halogen, 12V-50W* 150MS = deco head, MR16 halogen, 24V-12W* 150MD = deco head, MR16 halogen, 24V-20W* 150ME = deco head, MR16 halogen, 24V-35W* 150MF = deco head, MR16 halogen, 24V-50W* LT9 = large tungsten, 6V, 12V, 24V-9W, wedge base LT18 = large tungsten, 12V, 24V-18W, wedge base LT25 = large tungsten, 6V, 24V-25W, DCB RT9 = mini tungsten, 6V, 12V, 24V-9W, wedge base RT18 = mini tungsten, 12V, 24V-18W, wedge base RQ8 = mini halogen, 6V, 12V-8W, bi-pin RQ12 = mini halogen, 12V, 24V-12W, bi-pin LQ8 = large halogen, 6V, 12V-8W, bi-pin LQ12 = large halogen, 12V-12W, bi-pin LQ20 = large halogen, 6V, 12V, 24V-20W, bi-pin LQ55 = large halogen, 12V-55W, H3 LQ70 = large halogen, 24V-70W, H3 LS8 = large tungsten, 6V, 12V-8W, sealed beam LS18 = large tungsten, 6V, 12V-18W, sealed beam LS25 = large tungsten, 6V, 12V-25W, sealed beam LH8 = large halogen, 6V, 12V-8W, sealed beam LH12 = large halogen, 6V, 12V-12W, sealed beam LH20 = large halogen, 6V-20W, sealed beam	Blank = factory white BK = black	Blank = 120/347VAC input U277 = 277VAC input	A = ammeter CT = cab-tire D3 = time delay (15 mins.) D6 = 6 cct. fuse panel*** IT = AC terminal block ITOT = AC/DC terminal block LB = light activated test switch LD = lamp disconnect (programmable) OT = DC terminal block TL = twist-lock plug (120V)**
LDX12= 12V	-36T= 36W (S) -72T= 72W (S) -100T= 100W (S) -144T= 144W (S) -216T= 216W (L)						
LDX24= 24V	-144T= 144W (L) -288T= 288W (L)						

*Minimum lamp load required: 20% of unit capacity
 **Not all options available with NEXUS® System. Please consult your sales representative
 *Polar white or black cabinet only

V= voltmeter
 **120V is standard
 ***Not available with OT, ITOT

EXAMPLE: LDX6-108TAD2RQ8, LDX12-100TAD2RM12, LDX24-144TAD2RL150MD