



LEGEND™ CX2000 SERIES

Die-Cast Aluminum "Exit" Sign

FEATURES

- Slim contoured body design
- Durable powder-coated Die-Cast construction
- Energy efficient - consumes less than 3W
- Universal mounting – wall, end or ceiling mounting
- Long-life, energy-efficient **ALINGAP** technology LED light source reduces maintenance and energy costs
- Diagnostic/self-test feature comes standard on all Self-powered models
- Even illumination in both normal and emergency operation
- Maintenance-free, long-life sealed nickel-cadmium battery
- Normal AC and emergency DC operation – 120 to 347V universal AC input; 6 to 48V universal DC input
- NEXUS® compatible (for more information on NEXUS®, please consult your sales representative)
- CSA certified meets or exceeds CSA 22.2 No. 141 requirements



Type: _____
 Project/Location: _____
 Contractor: _____
 Prepared By: _____
 Date: _____
 Model No.: _____

TYPICAL SPECIFICATIONS

Supply and install the **Ready-Lite® CX2000 Series** LED Exit Signs. The equipment shall operate with universal two-wire AC input voltage from 120VAC to 347VAC at less than 3W and universal two-wire DC input voltage from 6VDC to 48VDC at less than 1.5W for single and double face signs. The faceplate(s) and the back plate shall snap together and shall be made of Die-Cast aluminum. The light source shall be light emitting diodes (LED). The LED lamps shall provide illumination in normal and emergency operation and shall be mounted inside the exit on a plastic frame/reflector. Red LED technology shall be **ALINGAP**. An LED-sensitive diffuser shall be mounted behind the legend to provide the 6" high by 3/4" stroke letters with even illumination.

The Self-powered model shall stay illuminated during emergency operation for at least 90 minutes (red) and at least 60 minutes (green) upon AC failure. The Self-powered model shall include self-testing and self-diagnostic functions: the equipment shall automatically test itself for 5 minutes every 30 days, 30 minutes every 60 days and 90 minutes annually. A "Service Required" lamp shall be located near the test switch and flash in the case of a fault detection. A two-LED diagnostic display shall be located inside the equipment and shall be capable of identifying the source of failure that may occur (battery, charger circuitry, or LED lamp failure).

The Exit Sign shall be CSA-C860 approved and meets CSA 22.2 No.141

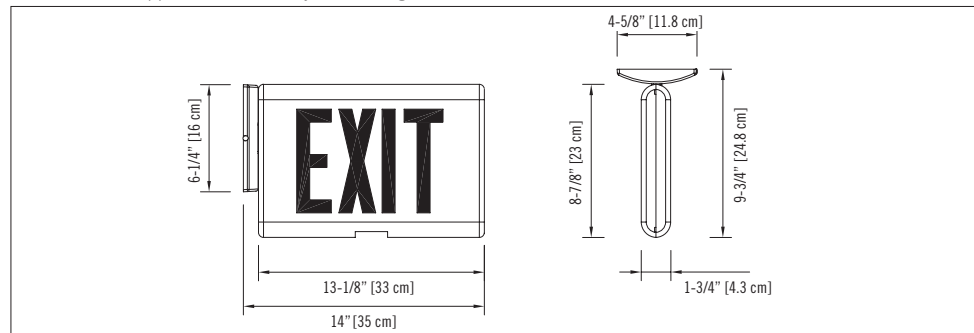
The equipment shall be **Ready-Lite®** Model: _____.

WIRE GUARDS

460.0079-RL	wall mount
460.0027-RL	end mount
460.0028-RL	ceiling mount

DIMENSIONS

Dimensions are approximate and subject to change.



POWER CONSUMPTION

MODEL	AC SPECS		DC SPECS	
AC/DC red	120/347VAC	less than 2W	6 to 48VDC	less than 1.5W
AC/DC green	120/347VAC	less than 2W	6 to 48VDC	less than 1.5W
self-powered red	120/347VAC	less than 3W	nickel-cadmium battery	min. 90 minutes
self-powered green	120/347VAC	less than 3W	nickel-cadmium battery	min. 60 minutes

ORDERING INFORMATION

SERIES	FACES	HOUSING/FACEPLATE COLOURS	VOLTAGE	OPTIONS
CX2= exit	100U= single face, universal mount 200U= double face, universal mount	WH/WH= factory white BK/BK= black BA/BA= brushed aluminum CH= all chrome PB= all polished brass BZ= bronze BK/BA= black/brushed aluminum WH/BA= white/brushed aluminum Other colours available.	DC= 120 to 347VAC, 6 to 48VDC SPD= self-powered diagnostic NiCad, 120/347VAC NEX= NEXUS® system interface* *Not all options available with NEXUS® System. Please consult your sales representative	G= green legend TP= tamper-proof screws* VRTP= polycarbonate shield with tamper-proof screws* *990.0119-RL= Tamper-proof bit (sold separately)

EXAMPLE: CX2100UBK/BADC