



LD6-IF SERIES

NEMA-3R Certified
Combination Unit



Type:	_____
Project/Location:	_____
Contractor:	_____
Prepared By:	_____
Date:	_____
Model No.:	_____

TYPICAL SPECIFICATIONS

Supply and install **Ready-Lite® LD6-IF Series** industrial combo unit. The unit shall be fabricated of industrial grade polycarbonate designed specifically for industrial environments. The sealed front cover shall be fabricated of high abuse and vandal-resistant polycarbonate, and feature an evenly illuminated legend. The word “SORTIE” shall be illuminated by long life LEDs consuming less than 1.5W per face.

The light source shall be **ALINGAP** technology red LED. The Exit Sign shall be certified NEMA-3R and designed specifically for applications such as high abuse areas, wet locations, environments requiring dust and oil tight equipment or cold temperatures.

It shall be designed to provide normal AC illumination and upon AC failure, the Exit Sign and lamp heads shall stay illuminated in emergency mode for a minimum of 30 minutes. The power pack is supplied with a magnetic test switch and a high charge pilot light.

The combo unit shall be CSA-C860 and NEMA-3R certified and meets CSA 22.2 No. 141.

The equipment shall be **Ready-Lite®** model: _____.

FEATURES

- This unit is ideal for schools, parking garages, public places, transit platforms and security areas such as jails
- Units are NEMA-3R certified
- Gasketed fiberglass housing designed specially for industrial applications
- Sealed, vandal-resistant clear polycarbonate faceplate
- Fully integrated unit with charger and rechargeable battery
- Water and snow resistant, suitable for areas subject to vandalism and wet locations
- Solid state charger circuitry – capable of full recharge within 24 hours
- Low voltage disconnect circuitry
- Sealed, dust-tight transfer relay
- Exit light source is **ALINGAP** technology LED
- Power pack includes a magnetic test switch and a high charge pilot light
- In emergency mode, the long life, sealed nickel cadmium battery provides power to the Exit Sign and lamp heads for a minimum of 30 minutes
- CSA certified, meets or exceeds CSA 22.2 No. 141 requirements

WIRE GUARDS

460.0034-RL	wall mount
460.0104-RL	ceiling mount
460.0124-RL	double face, end mount

POWER CONSUMPTION AND UNIT RATING

MODEL	AC SPECS	WATTAGE CAPACITY					
		30MIN	1H00	1H30	2H00	4H00	
LD6-36	120/347VAC	0.15/0.06 A	36	21	15	12	6
LD6-72		0.15/0.06 A	72	42	30	24	12

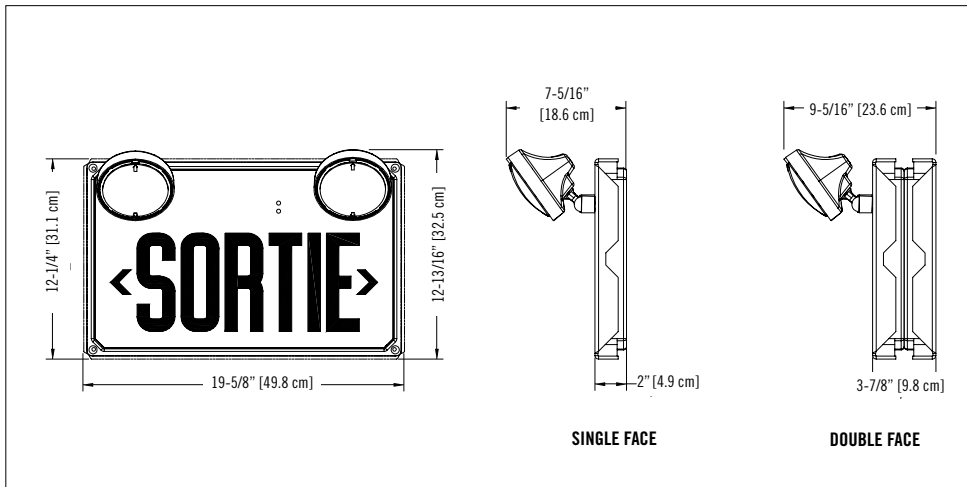
Note: double face models have double the power consumption above

Type: _____
 Project/Location: _____
 Contractor: _____
 Prepared By: _____
 Date: _____
 Model No.: _____



DIMENSIONS

Dimensions are approximate and subject to change.



LD6-IF SERIES
 NEMA-3R Certified
 Combination Unit

ORDERING INFORMATION

SERIES	VOLTAGE	NUMBER OF HEADS	LAMP TYPE AND WATTAGE	OPTIONS
LD6-361F = 6V-36W, sortie, single face LD6-361F2 = 6V-36W, sortie, double face LD6-721F = 6V-72W, sortie, single face LD6-721F2 = 6V-72W, sortie, double face	UL = 120/347VAC	Blank = no heads 1 = one head 2 = two heads	WT9 = large tungsten, 6V-9W, wedge base WT18 = large tungsten, 6V-18W, DCB WT25 = large tungsten, 6V-25W, DCB WQ8 = large halogen, 6V-8W, bi-pin WQ12 = large halogen, 6V-12W, bi-pin WQ20 = large halogen, 6V-20W, bi-pin WH8 = large halogen, 6V-8W, sealed beam WH12 = large halogen, 6V-12W, sealed beam WH20 = large halogen, 6V-20W, sealed beam WS18 = large tungsten, 6V-18W, sealed beam WS25 = large tungsten, 6V-25W, sealed beam	TC = teflon coated lens

EXAMPLE: LD6-361FUL2WT9