



R-SN SERIES

All Metal "Sortie"
Combination Unit



Type:	_____
Project/Location:	_____
Contractor:	_____
Prepared By:	_____
Date:	_____
Model No.:	_____

TYPICAL SPECIFICATIONS

Supply and install the **Ready-Lite® R-SN Series** LED "SORTIE" Exit Sign with power pack series. The exit housing and the faceplate(s) shall be constructed of steel. The Exit Sign shall have a maximum depth of 2-1/2". The faceplate(s) shall come standard with knockout chevrons.

The light source shall be light emitting diodes (LED). Red LED technology shall be **ALINGAP**. The LED lamps shall provide illumination in normal and emergency operation and shall be mounted inside the exit housing, not on the face. An LED-sensitive diffuser shall be mounted behind the legend to provide the 6" high by 3/4" stroke letters with even illumination. The power pack shall be a completely self-contained emergency unit with its own charger and rechargeable battery. The housing shall be made of steel. The unit shall be designed to furnish exit illumination from the normal AC source. When a power failure occurs, the mounted heads along with the Exit Sign are illuminated in emergency mode for a minimum of 30 minutes. The power pack shall be furnished with a test switch and high charge pilot light. The heads shall require no tools to adjust and aim. The heads will be constructed of durable thermoplastic and use 6V, 9W lamps or as otherwise specified.

The Exit Sign shall be CSA-C860 approved and meets CSA 22.2 No.141.

The equipment shall be **Ready-Lite®** Model: _____

FEATURES

- Pre-assembled for ease of installation
- Metal housing with baked enamel finish – will not yellow
- Easy access to wiring entry
- Exit Sign with long life, **ALINGAP** LED light source
- Energy efficient, consumes less than 3W in stand-by mode
- Power pack comes standard with premium Lead-Calcium battery
- Other colours and options are available upon request
- CSA certified, meets or exceeds CSA 22.2 No. 141 requirements

WIRE GUARDS

460.0078-RL	wall mount
460.0060-RL	ceiling mount

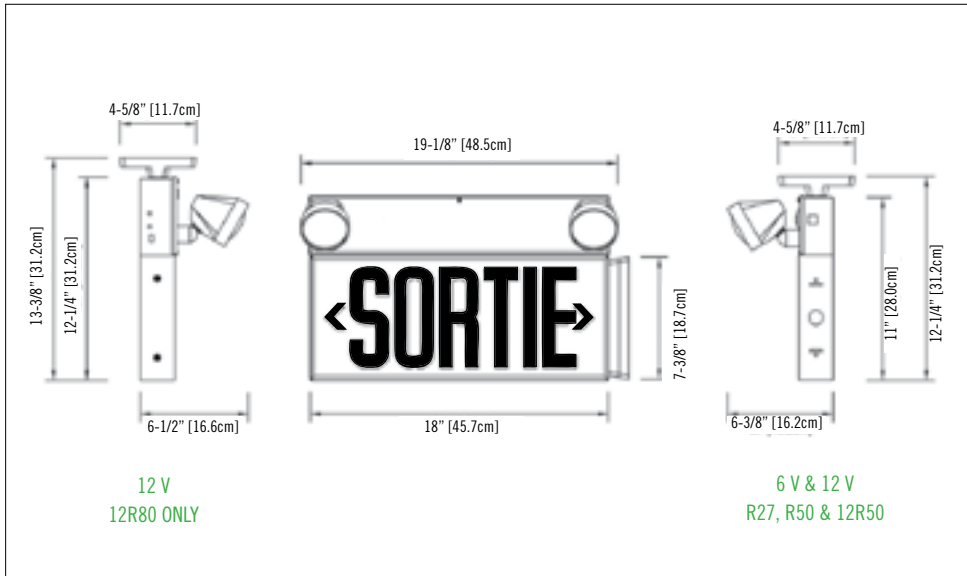
POWER CONSUMPTION AND UNIT RATING

MODEL	AC SPECS	WATTAGE CAPACITY				
		30MIN	1H00	1H30	2H00	4H00
Sortie Sign Module		less than 2W	-	-	-	-
R27= 6V-27W	120/347VAC	0.25/0.08 A	27	15	12	9
R50= 6V-50W		0.25/0.08 A	50	30	20	16
12R50= 12V-50W		0.25/0.08 A	50	30	20	16
12R80= 12V-80W		0.25/0.08 A	80	45	36	27

Type: _____
 Project/Location: _____
 Contractor: _____
 Prepared By: _____
 Date: _____
 Model No.: _____

DIMENSIONS

Dimensions are approximate and subject to change.



R-SN SERIES

All Metal "Sortie"
 Combination Unit

ORDERING INFORMATION

SERIES	# OF HEADS	HEAD STYLE AND WATTAGE	MOUNTING FACES	VOLTAGE	HOUSING COLOUR	OPTIONS
R27= 6V-27W R50= 6V-50W 12R50= 12V-50W 12R80= 12V-80W	Blank= no heads 1= one head 2= two heads	LD1= MR16 LED, 6V-4W LD7= MR16 LED, 12V-4W LD9= MR16 LED, 12V-5W LD10= MR16 LED, 12V-6W M6= MR16 halogen, 6V-6W M10= MR16 halogen, 6V-10W M12= MR16 halogen, 12V-12W M20= MR16 halogen, 12V-20W T9= mini tungsten, 9W Q8= mini halogen, 8W Q12= mini halogen, 12W	S1= single face, wall or ceiling mount SN= universal steel mount canopy with two faceplates	Blank= 120/347VAC	W= factory white BK= black TA= textured aluminum*	Blank= no options D1= time delay (5 mins.) D2= time delay (10 mins.) D3= time delay (15 mins.) TP= tamper-proof screws*
		Other Styles available consult your sales representative			* Black heads	*990.0119-RL= Tamper-proof bit (sold separately)

EXAMPLE: R272T9S1