



RSC SERIES

Steel Pictogram
Combination Unit

new product

nexus
 Made in Canada

Type: _____
 Project/Location: _____
 Contractor: _____
 Prepared By: _____
 Date: _____
 Model No.: _____

TYPICAL SPECIFICATION

Supply and install **Ready-Lite® RSC Series** combination emergency light battery unit and pictogram Exit Sign. The unit shall be made of solid steel sheet metal and be suitable for universal mounting: wall, end, or ceiling. The legend housing shall have a maximum depth of 2-1/8". The legend face plate(s) shall be constructed of robust clear polycarbonate panel(s) with a border coloured factory-white. The light source shall be white light-emitting diodes (LED) and shall provide even illumination in normal and emergency operation. The power pack shall include one circuit board with test switch and pilot light for battery charger and legend LED driver. The unit shall include one 6V or 12V, maintenance-free, sealed Lead-Calcium battery and shall provide minimum 30 minutes of emergency lighting upon AC power failure. The electrical power available for emergency lights shall be 28W or up to 72W, for 6V and 50W or up to 80W for 12V, as specified. The emergency heads shall require no tools to adjust and aim. The equipment shall meet or exceed the requirements of CSA 22.2 No.141-15 standard.

The equipment shall be **Ready-Lite®** Model: _____

FEATURES

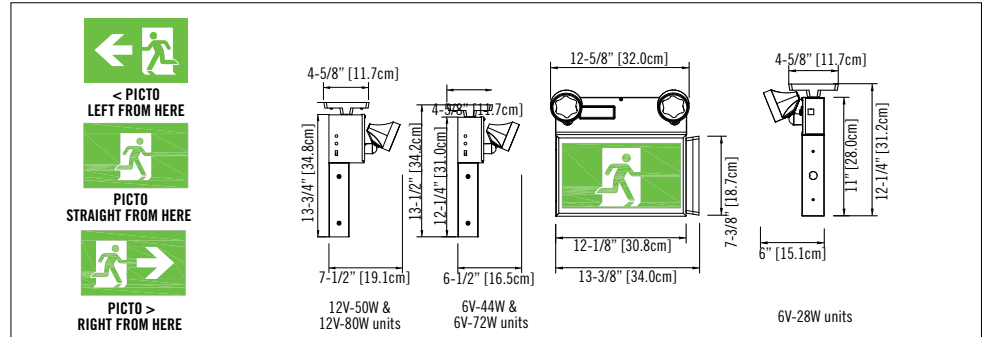
- Universal mounting: end, wall or ceiling
- Meets or exceeds CSA 22.2 No.141-15 standard for unit equipment and pictogram Exit Signs
- Legend illuminated by long-life white LED's
- Sealed, maintenance-free, 6V or 12V Lead-Calcium battery
- Remote load capacity: 80W up to 560' of egress illumination when using LED remote heads

WIRE GUARDS

460.0081-RL	wall mount
460.0060-RL	ceiling mount

DIMENSIONS

Dimensions are approximate and subject to change.



POWER CONSUMPTION

MODEL	AC SPECS	EMERGENCY POWER AVAILABLE FOR LAMPS				
		30MIN	1H00	1H30	2H00	4H00
Pictogram Module	less than 1.5W	-	-	-	-	-
RSC28	120/347VAC	28	16	12	9	-
RSC44		44	26	18	15	7
RSC72		72	42	30	24	12
RSC-1250	0.25 / 0.09 A	50	29	21	16	8
RSC-1280		80	46	32	27	13

ORDERING INFORMATION

SERIES	POWERPACK	HOUSING COLOUR	HEADS	HEAD STYLE AND WATTAGE	VOLTAGE	OPTIONS
RSC= pictogram steel combo exit sign	28= 6V-28W 44= 6V-44W 72= 6V-72W 1250= 12V-50W 1280= 12V-80W	B= black W= factory white	Blank= no heads 1= one head 2= two heads	LD1= MR16 LED, 6V-4W LD7= MR16 LED, 12V-4W LD9= MR16 LED, 12V-5W LD10= MR16 LED, 12V-6W MI= MR16 halogen, 6V-6W MJ= MR16 halogen, 6V-10W MK= MR16 halogen, 12V-12W MA= MR16 halogen, 12V-20W 150MB= MR16 halogen, 12V-35W* 150MR= MR16-IR, 12V-35W, high-output* RT9= mini tungsten, 9W RT18= mini tungsten, 12V-18W, wedge base RQ8= mini halogen, 8W RQ12= mini halogen, 12W	Blank= 120/347VAC U2= 120/277VAC input	AD= auto-diagnostics* ADN= auto-diagnostics, non-audible* NEX= NEXUS® system interface** NEXRF= wireless NEXUS® system interface** DF= double face sign D3= time delay (15 minutes) TP= tamper-proof screws***
				* MB & MR RL150 type heads		
						* Not available with 6V models ** Not available with 6V-72W *** 990.0119-RL= tamper-proof bit (sold separately)

EXAMPLE: RSC28W2RT9