



Pictogram Steel Sign



WARNING:
Risk of Shock.
Disconnect Power before Installation.



IMPORTANT SAFEGUARDS

When using electrical equipment, basic safety precautions should always be followed including the following:

READ AND FOLLOW ALL SAFETY INSTRUCTIONS

1. All servicing should be performed by qualified service personnel.
2. Do not use outdoors.
3. Do not let power supply cords touch hot surfaces.
4. Do not mount near gas or electric heaters.
5. Use caution when handling batteries. Avoid possible shorting.
6. Equipment should be mounted in locations and at heights where it will not readily be subjected to tampering by unauthorized personnel.
7. The use of accessory equipment not recommended by the manufacturer may cause an unsafe condition.
8. Do not use this equipment for other than intended use.

SAVE THESE INSTRUCTIONS

Installation Instructions

1. Turn off AC power.
2. Route AC circuit of rated voltage into electrical box and leave 15 cm (6") of wire length.
3. To open the unit, remove the end cap screws (see Figure 1) and slide out the clear panel with color trim, one or two pictogram panel(s) and the opal diffuser (note sequence of panels removed).

Wall Mount

- a. Knock out the proper hole pattern in the back plate so that it can be mounted to a standard junction box (including the large wire hole); place a support on either side of the hole(s) to be removed and then knock out with a screwdriver.
- b. Feed AC supply leads through the center hole.
- c. Mount the unit securely to the junction box using the junction box screws (see Figure 3).

Canopy - Ceiling or End mount

- a. Determine desired mounting orientation of sign.
- b. Fasten the canopy to the exit using #8-32 x 3/8" screws and kep nuts provided (see Figure 4).

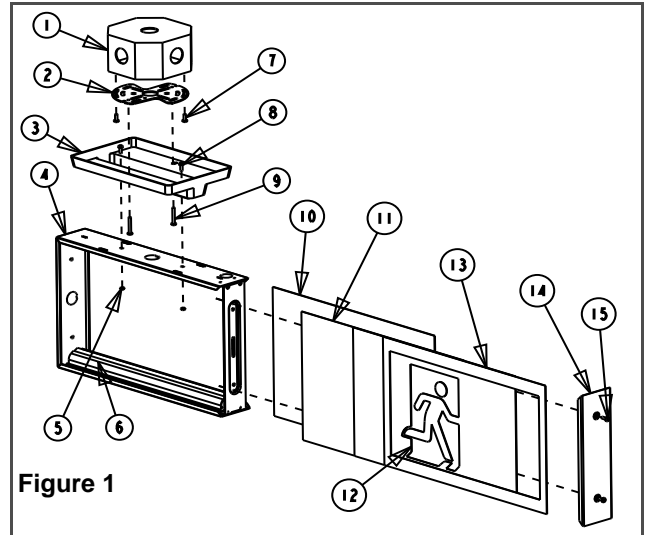


Figure 1

Part List

- | | |
|---------------------------------------|-----------------------------|
| 1. Junction box (existing) | 8. Screws 8-32 x 3/8" (2) |
| 2. Spider Plate | 9. Screws 8-32 x 1-1/2" (2) |
| 3. Canopy | 10. Back Plate |
| 4. Housing | 11. Opal Diffuser |
| 5. Kep Nuts (2) | 12. Pictogram Panel(s) (2) |
| 6. LED Strip | 13. Clear Panel |
| 7. Junction box screws (not provided) | 14. End Cap |
| | 15. End cap screws (2) |

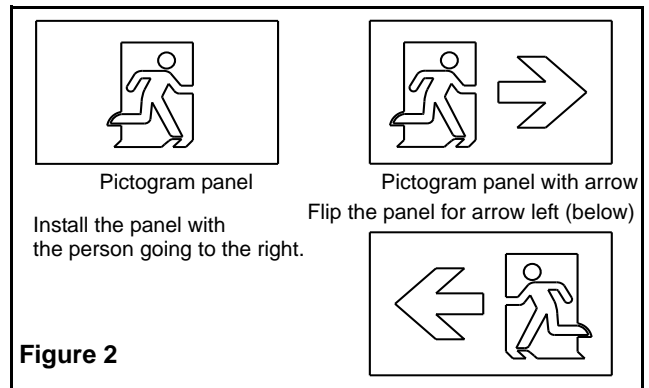


Figure 2

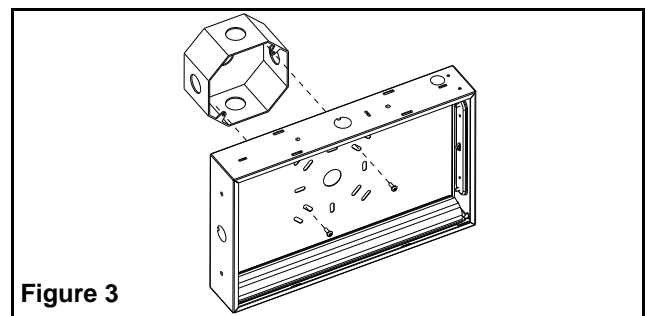


Figure 3

- c. Route AC wires from the unit through the large knockout. For ceiling mount, make sure backplate is mounted so pictogram panel face will be in the desired direction.
 - d. Connect the green ground wires to the service ground or the ground connection in the junction box.
 - e. Fasten the spider plate to the junction box using the junction box screws. Align the two threaded holes in the spider plate to line up with the canopy holes for correct mounting position, end or ceiling.
4. Make the proper connections, the system accepts an input voltage of 120 to 347VAC (see Figure 5). Connect the purple (120 to 347 VAC) and white (Neutral) leads to the building utility. Feed excess wire into the junction box.
 5. For remote powered DC units, connect the red wire to the positive of the DC supply and the blue to the negative (6 to 24 VDC).
 6. Fasten the canopy-sign assembly to the spider plate using the #8-32 x 1-1/2" screws provided.
 7. When ready to energize AC, plug the battery connector to circuit board (if so equipped). Connect battery and turn on AC power within 6 hours.
 8. Select the proper pictogram panel. Slide the clear panel in first then choose the appropriate pictogram panel and slide that behind the clear panel. Slide in the opal diffuser behind the pictogram panel.
 9. Replace the back plate, if removed, into the housing. Then reinstall the end cap.
 10. Energize AC power.

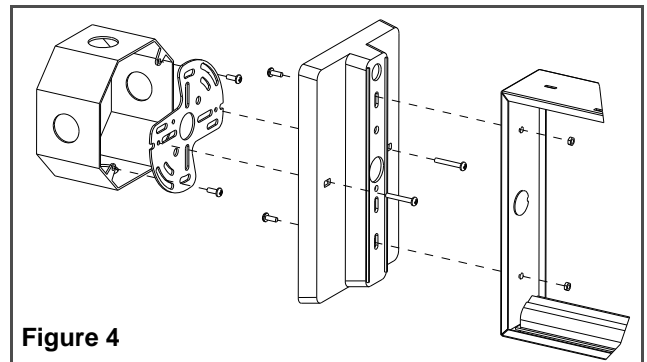


Figure 4

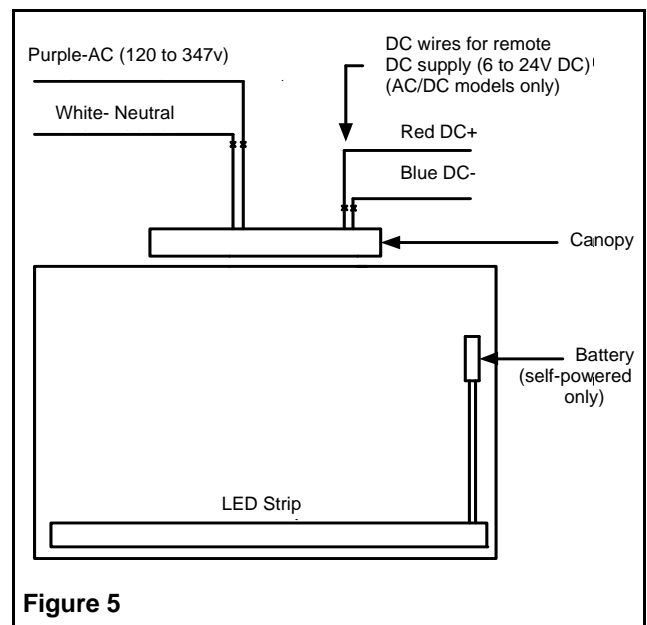


Figure 5

AC/DC Models

Refer to Figure 5 for AC or DC wiring.

For DC portion Wire the Red lead (+) to the positive DC input voltage and the Blue lead (-) to the negative DC input voltage. Note: DC input voltage range is 6 volts to 24 volts.

Testing (self-powered models)

Operate test switch, the pilot light will turn off and LED strip will flicker. Release test switch, LED strip will flicker again and pilot light will be illuminated. If LED strip appears dim or does not light up test, leave AC connected for at least 15 minutes and re-test. If still incorrect, contact a serviceman or the factory for assistance.

Maintenance

None required. If AC supply to the unit is to be disconnected for 2 months or more, the battery must be disconnected (self-powered models only).