

Type: _____
 Project/Location: _____
 Contractor: _____
 Prepared By: _____
 Date: _____
 Model No.: _____



TYPICAL SPECIFICATIONS

Supply and install the **Ready-Lite® SMCS5000** LED “SORTIE” Exit Sign with power pack combination series. The exit housing and the faceplate(s) shall be constructed of rugged extruded aluminum. The Exit Sign shall have a maximum depth of 2-1/2”. The faceplate(s) shall come standard with knockout chevrons.

The light source shall be light emitting diodes (LED). Red LED technology shall be **ALINGAP**. The LED lamps shall provide illumination in normal and emergency operation and shall be mounted inside the exit housing. An LED-sensitive diffuser shall be mounted behind the legend to provide the 6” high by 3/4” stroke letters with even illumination. The power pack shall be a completely self-contained emergency unit with its own charger and rechargeable battery. The housing shall be made of steel. The unit shall be designed to furnish exit illumination from the normal AC source. When a power failure occurs, the mounted heads along with the Exit Sign are illuminated in emergency mode for a minimum of 30 minutes. The power pack is furnished with a test switch and high charge pilot light and is available as either 18, 36 or 72W. The heads shall require no tools to adjust and aim. The heads will be constructed of polycarbonate and include 6V, 9W lamps or as otherwise specified.

The Exit Sign shall be CSA-C860 approved and meets CSA 22.2 No.141.

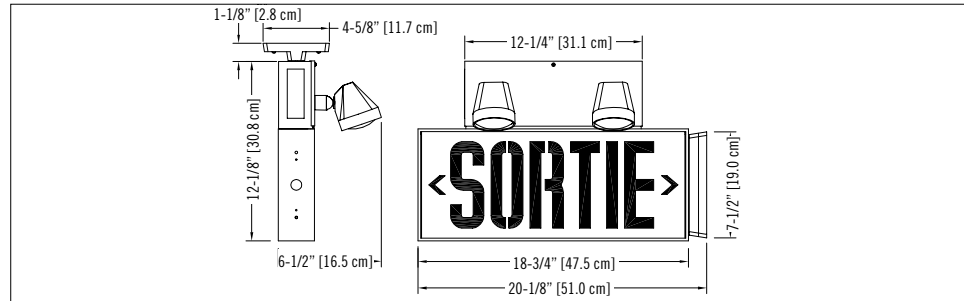
The equipment shall be **Ready-Lite®** Model: _____.

WIRE GUARDS

460.0081-RL	wall mount
460.0060-RL	ceiling mount

DIMENSIONS

Dimensions are approximate and subject to change.



POWER CONSUMPTION AND UNIT RATING

MODEL	AC SPECS	WATTAGE CAPACITY					
		30MIN	1H00	1H30	2H00	4H00	
Sortie Sign Module		less than 2W	-	-	-	-	-
SM18-6V	120/347VAC	0.15/0.05 A	18	10	7	6	3
SM36-6V		0.15/0.05 A	36	21	15	12	6
SM72-6W		0.18/0.07 A	72	42	30	24	12
SM36-12V		0.18/0.07 A	36	21	15	12	6
SM72-12V		0.15/0.05 A	72	42	30	24	12

ORDERING INFORMATION

SERIES	#OF HEADS	HEAD STYLE AND WATTAGE	MOUNTING/FACES	VOLTAGE	HOUSING COLOUR	OPTIONS
SM18= 6V-18W* SM36= 6V, 12V-36W SM72= 6V, 12V-72W	Blank= no heads 1= one head 2= two heads	LD1= MR16 LED, 6V-4W LD7= MR16 LED, 12V-4W LD9= MR16 LED, 12V-5W LD10= MR16 LED, 12V-6W RM6= MR16 halogen, 6V-6W RM10= MR16 halogen, 6V-10W RM12= MR16 halogen, 12V-12W RM20= MR16 halogen, 12V-20W RT9= mini tungsten, 9W RQ8= mini halogen, 8W RQ12= mini halogen, 12W	CS5100= single face, universal mounting CS5200= double face, universal mounting	Blank= 120/347VAC, 6VDC L062= 277VAC, 6VDC L12U= 120/347VAC, 12VDC L122= 277VAC, 12VDC	Blank= factory white BK= black BA= brushed aluminum* TA= textured aluminum*	Blank= no options AD= auto-diagnostics* ADN= auto-diagnostics, non audible* NEX= NEXUS® system interface* NEXRF= wireless NEXUS® system interface* D3= time delay (15 mins.) R3= remote test receiver**
*Available in 6V only		Other styles available consult your sales representative			*Black heads	*Not available for 6V-72W *Not all options available with NEXUS® System. Please consult your sales representative **R4= remote test transmitter (sold separately)

EXAMPLE: SM182RT9CS5100

FEATURES

- Rugged extruded aluminum housing with a maximum depth of 2-1/2”
- Extruded aluminum faceplate
- White finish standard
- Standard field-selectable knockout chevrons
- Long life, energy-efficient LED light source, mounted inside the exit housing
- **ALINGAP** technology LED
- NEXUS® compatible (for more information on NEXUS®, please consult your sales representative)
- Completely self-contained unit with rechargeable sealed lead-acid battery
- Lamp heads require no tools to adjust or aim
- Provides a minimum of 30 minutes of illumination (lamp heads and exit sign) in emergency mode
- CSA certified, meets or exceeds CSA 22.2 No. 141. requirements