

Type: _____
 Project/Location: _____
 Contractor: _____
 Prepared By: _____
 Date: _____
 Model No.: _____



TYPICAL SPECIFICATIONS

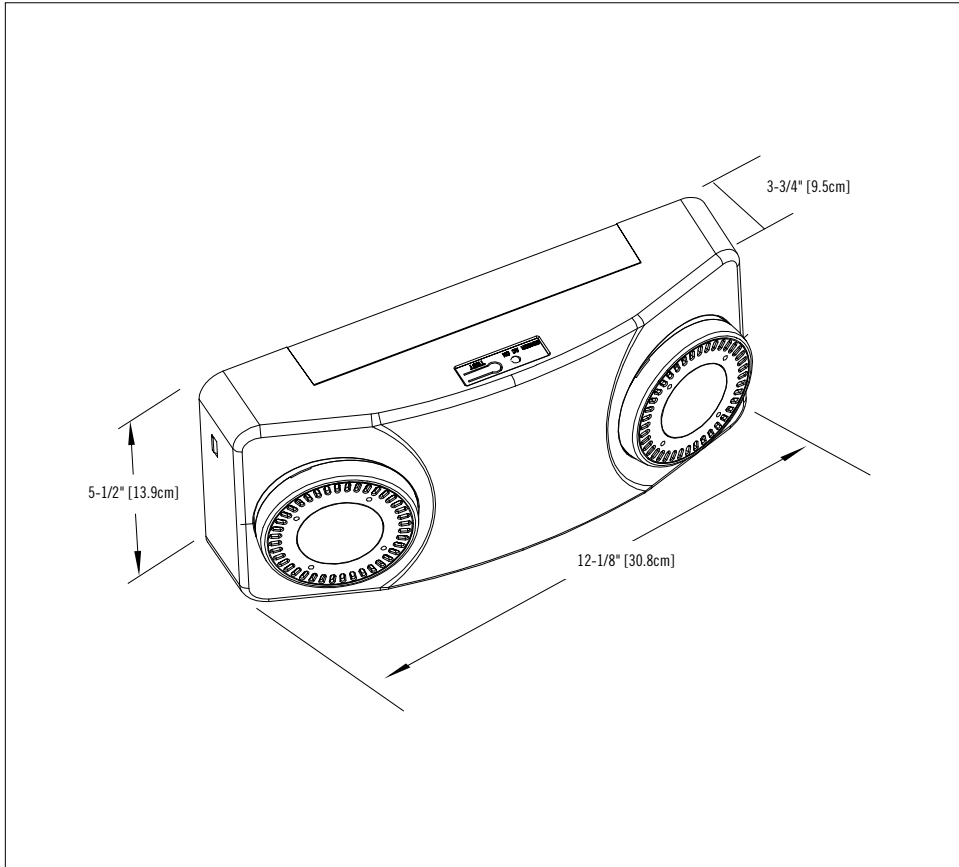
The contractor will install the **Ready-Lite® RCB-HO LED Series** battery unit. The emergency lighting system shall consist of fully automatic equipment with two High output LED heads. Each unit shall contain a fully automatic, solid state charger with test switch and AC ON pilot lights. The unit shall contain a sealed transfer circuit and low voltage disconnect circuit. The battery shall be 9.6V with a capacity of 12W for 90 minutes.

The unit shall be cUL approved to meet CSA 22.2 no. 141-15 standard.

The unit shall be **Ready-Lite®** model: _____.

DIMENSIONS

Dimensions are approximate and subject to change.



RCB-HO LED SERIES

Commercial Battery Unit

FEATURES

- Fully adjustable LED glare-free lens
 - 5.4W long life high output LED light source
 - Provides 90° spacing at 7.5' mounting height
 - Dual voltage input capability 120/347VAC
 - Automatic, temperature compensated, pulse type charger
 - Low voltage disconnect prevents over discharge of battery
 - Automatic brownout protection
 - Sealed 9.6V-12W Lithium-ion battery offering 90 minutes of emergency lighting
 - Battery lock-out prevents discharge during installation
 - Red LED charger monitor
 - Momentary test switch allows for quick operational check
 - Injection-molded thermoplastic ABS housing
 - Rear keyhole slots and universal knock-outs to mount to any standard 4" junction box
 - Fast and easy installation with snap-together design
 - Ceiling or wall mount installation
 - Comes standard with one (1) year warranty
 - Meets or exceeds CSA C22.2 no.141-15
- See warranty details at:**
www.tnb.ca/en/brands/ready-lite

POWER CONSUMPTION AND UNIT RATING

MODEL	AC SPECS			DC SPECS	
	Voltage	Current	Power	Battery Type	Runtime
RCB-HO	120/347VAC	0.08 A	0.8 W	LifePO	min. 90 minutes

ORDERING INFORMATION

SERIES	VOLTAGE
RCB-HO= Commercial battery unit high output	Blank= 120/347VAC

EXAMPLE: RCB-HO