



LDXC-BLD SERIES

Steel, compact and 6V

new product



Type:	_____
Project/Location:	_____
Contractor:	_____
Prepared By:	_____
Date:	_____
Model No.:	_____

TYPICAL SPECIFICATIONS

The contractor shall install the **Ready-Lite® LDXC-BLD Series** battery units. The emergency lighting system shall consist of fully automatic equipment with two emergency lighting heads. The unit shall be rated 6V with a capacity of 27W for 30 minutes of emergency operation.

The charger shall be factory set with a charging voltage tolerance of $\pm 1\%$ to enable a longer battery life. The metal cabinet shall be made of steel with anti-corrosion undercoating.

The unit shall be CSA Certified to C22.2 no.141-15.

The unit shall be **Ready-Lite®** model: _____ .

WIRE GUARDS

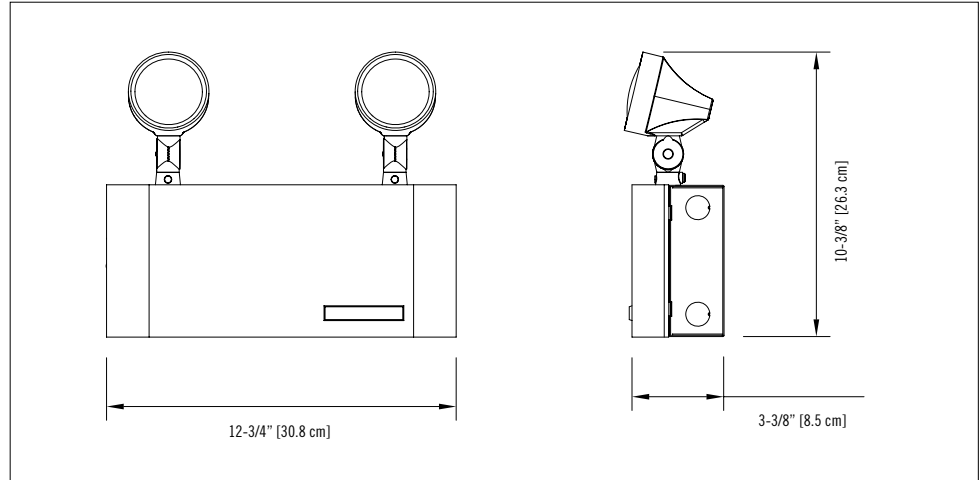
460.0080-RL	wall mount
-------------	------------

POWER CONSUMPTION AND UNIT RATING

MODEL	AC SPECS	WATTAGE CAPACITY					
		30MIN	1H00	1H30	2H00	4H00	
LDXC627	120/347 VAC	0.06/0.02A	27	15	11	9	-

DIMENSIONS

Dimensions are approximate and subject to change.



FEATURES

- “Built-in” 3W LED heads
 - Compact steel cabinet with corrosion-resistant undercoating
 - Quick and easy installation – pre-assembled cordset, no batteries or board to remove before installation
 - Universal Spider knockout pattern for junction box mounting
 - Fully automatic solid-state charger with test switch and AC-on pilot light
 - Sealed dust-proof transfer relay circuit and low-voltage disconnect
 - Long-life, maintenance-free sealed Lead-Acid battery
 - Standard input 120 VAC with line cord installed
 - 120/347 VAC without line cord
 - Certified CSA C22.2 No.141-15
- See warranty details at:**
www.tnb.ca/en/brands/ready-lite

ORDERING INFORMATION

SERIES	CAPACITY	NUMBER OF HEADS	HEAD STYLE / WATTAGE	A.C VOLTAGE
LDXC6= 6V	27= 6V-27W	1= One head 2= Two heads	BLD= Built-in LED	Blank = 120VAC input comes with linecord ZC = 277VAC input ZD = 120/347VAC input

EXAMPLE: LDXC6-272BLD