



# MULT SERIES

Reduced Size  
Thermoplastic, 6 and 12V

**new product**



## TYPICAL SPECIFICATIONS

Supply and install the **Ready-Lite® MULT Series** thermoplastic battery unit equipment. The unit construction shall include a housing and a front cover of high-impact thermoplastic moulded in white. No screws shall be necessary to hold the front cover to the housing. The unit shall be equipped with two emergency heads with adjustable swivels and MR-16 lamps of \_\_\_\_\_ V \_\_\_\_\_ W protected by snap-on shock-absorbent, clear polycarbonate covers. The unit shall be suitable for wall mount or as otherwise specified. The unit equipment shall have a dual-voltage input of 120/347VAC and shall be equipped with a test switch and a green pilot light, located on the left side.

The housing shall host the battery and the battery charger. The battery charger and other unit functions shall be driven by a micro-controller. All electronic circuitry shall be installed on a single printed circuit board. When specified, the unit equipped with auto-test shall automatically self-test for one minute every 30 days, 10 minutes every 6 months and 30 minutes annually. When a fault is detected, the bi-colour pilot light shall turn from green to red and start flashing. A legend on a label next to the pilot light shall display the source of failure: battery, charger circuitry or lamp load.

The unit equipment shall be listed to the standard CSA 22.2 No.141-15.

The unit equipment shall be **Ready-Lite®** model: \_\_\_\_\_.

## FEATURES

- Designed with aesthetics, ease of installation and performance in mind
  - Simple, compact and contemporary design
  - Wall, optional ceiling or pendant mount (optional)
  - Two-piece housing of injection molded thermoplastic
  - Two MR16 LED lamps, shielded by clear polycarbonate covers
  - Sealed, maintenance-free, Lead-Calcium batteries
  - Dual voltage input: 120/347VAC
  - Up to 48W of total battery capacity
  - Auto-diagnostics (optional)
  - NEXUS® interface (optional)
  - Advanced diagnostics capabilities (specific load requirements)
  - Meets or exceeds CSA 22.2 No.141-15
- See warranty details at: [www.tnb.ca/en/brands/ready-lite](http://www.tnb.ca/en/brands/ready-lite)

### ULTIMA™ FAMILY



## WIRE GUARDS

460.0080-RL	wall mount or ceiling mount
-------------	-----------------------------

## REPLACEMENT LAMPS

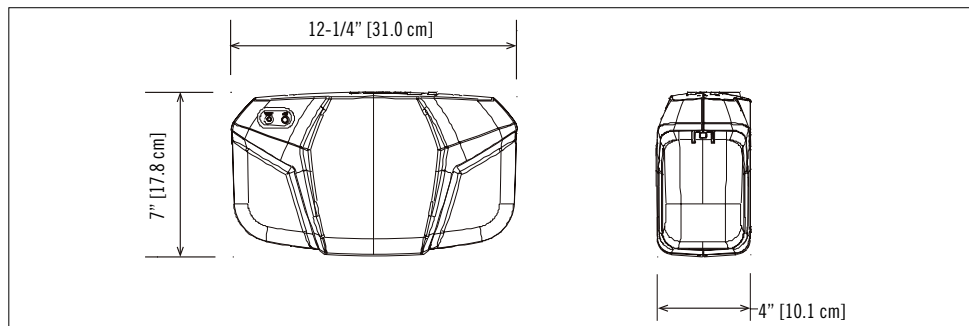
ORDERING CODE	LAMP TYPE	VOLTAGE/ WATTAGE
580.0093-RL	MR16, LED	12V-4W
580.0097-RL	MR16, LED	6V-4W
580.0122-RL	MR16, LED	6V-5W
580.0104-RL	MR16, LED	12V-5W
580.0106-RL	MR16, LED	12V-6W

## POWER CONSUMPTION AND UNIT RATING

MODEL	AC SPECS	WATTAGE CAPACITY					
		30MIN	1H00	1H30	2H00	4H00	
MULT6	120/347VAC	.11/.04A	24W	14W	10W	8W	4W
MULT12		.21/.07A	48W	28W	20W	16W	8W

## DIMENSIONS

Dimensions are approximate and subject to change.



## MULT SERIES

Reduced Size  
Thermoplastic, 6 and 12V

## WALL MOUNT



## ORDERING INFORMATION

SERIES	CAPACITY	UNIT TYPE	HEADS	LAMPS	COLOUR	VOLTAGE	OPTIONS
MULT6= 6V	24= 24W	Blank= standard AD= auto-diagnostic <sup>1</sup> ADN= auto-diagnostic, non-audible <sup>1</sup> NEX= Nexus <sup>®</sup> system interface <sup>2</sup> NEXRF= wireless Nexus <sup>®</sup> system interface <sup>2</sup>	0= no head 2= two heads	LD1= MR16 LED, 6V-4W LD2= MR16 LED, 6V-5W LD7= MR16 LED, 12V-4W LD9= MR16 LED, 12V-5W LD10= MR16 LED, 12V-6W	W= factory white B= black	Blank= 120/347VAC 2= 120/277VAC U122= 120/208/220-240V 50/60Hz input <sup>1</sup>	Blank= no options CM= ceiling mount D3= time delay (15 mins.) LC= line cord (120V) PM= pendant mount <sup>1</sup>
MULT12= 12V	48= 48W	<sup>1</sup> Minimum lamp load required: 20% of unit capacity <sup>2</sup> Not all options available with NEXUS <sup>®</sup> System. Please consult your sales representative				<sup>1</sup> Not available with Nexus <sup>®</sup>	<sup>1</sup> Pendant kit (sold separately, see p.197)

EXAMPLE: MULT6242LD1W