



WT SERIES

Remote Fixture



Type:	_____
Project/Location:	_____
Contractor:	_____
Prepared By:	_____
Date:	_____
Model No.:	_____

WIRE GUARDS

460.0035-RL	wall mount single remote
460.0082-RL	wall mount double remote
460.0078-RL	wall mount triple remote

REPLACEMENT LAMPS

MODEL	LAMP TYPE	VOLTAGE-WATTAGE
570.0016-RL	tungsten	6V-9W
570.0025-RL	tungsten	12V-9W
570.0045-RL	tungsten	24V-9W

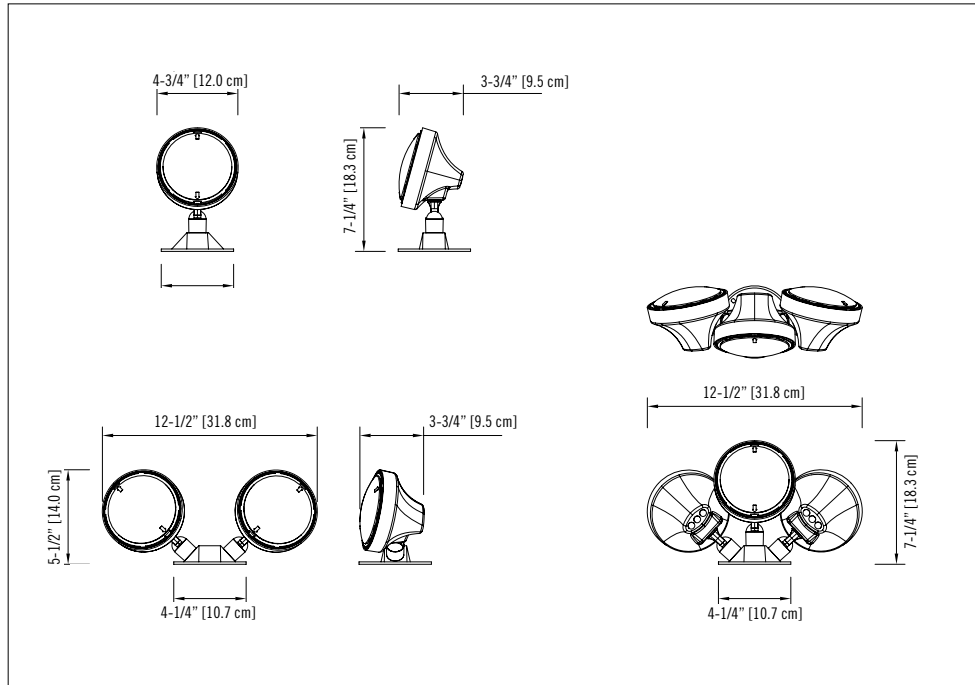
For the complete list, please see the lamp chart on pages 166 to 168

FEATURES

- Available in single, double or triple head fixtures
- Durable thermoplastic construction suitable for industrial or high abuse areas
- Tool-less adjustment and aiming of lamp heads
- Certified CSA C22.2 No.141
- Weatherproof

DIMENSIONS

Dimensions are approximate and subject to change.



ORDERING INFORMATION

SERIES	# OF HEADS	VOLTAGE/WATTAGE	COLOUR	OPTIONS
WT = tungsten WQ = halogen WH = halogen, sealed beam WS = tungsten, sealed beam	1= single 2= double 3= triple	-6/9 = tungsten, 6V - 9W, wedge base -6/___ = tungsten, 6V - 18 or 25W, D.C.B. -12/___ = tungsten, 12V - 9 or 18W, wedge base -24/___ = tungsten, 24V - 9 or 18W, wedge base -24/25 = tungsten, 24V - 25W, D.C.B. -6/___ = halogen, 6V - 8 or 20W, bi-pin -12/___ = halogen, 12V - 8, 12, 20 or 55W, bi-pin -24/___ = halogen, 24V - 20 or 70W, bi-pin -6/___ = tungsten, 6V - 8, 12, 18 or 25W, sealed beam -12/___ = tungsten, 12V - 12, 18 or 25W, sealed beam -6/___ = halogen, 6V - 8 or 12 or 20W, sealed beam -12/___ = halogen, 12V - 8, 12 or 37W, sealed beam -32/___ = tungsten, 32V - 18 or 25W, D.C.B. -120/___ = tungsten, 120V - 10 or 15W, D.C.B. -120/35 = halogen, 120V - 35W, D.C.B.	Blank = black WH = factory white	TC = teflon coated lens
		NOTE: "___" = insert wattage required.		

EXAMPLE: WT2-6/9