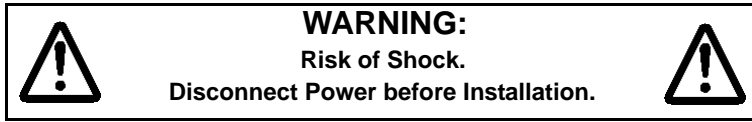


LED Pictogram Combo

Use Flexible Conduit Only



IMPORTANT SAFEGUARDS

When using electrical equipment, basic safety precautions should always be followed including the following:

READ AND FOLLOW ALL SAFETY INSTRUCTIONS

1. All servicing should be performed by qualified service personnel.
2. Disconnect power at fuse or circuit breaker before installing or servicing.
3. All electrical connections must be in accordance with local codes, ordinances and the National Electric code.
4. Do not use outdoors.
5. Do not let power supply cords touch hot surfaces.
6. Do not mount near gas or electric heaters.
7. Equipment should be mounted in locations and at heights where it will not readily be subjected to tampering by unauthorized personnel.
8. The use of accessory equipment not recommended by the manufacturer may cause an unsafe condition.
9. Do not use this equipment for other than intended use.
10. Use caution when handling batteries. Battery acid can cause burns to the skin and eyes. If acid is spilled on the skin or eyes, flush acid with fresh water and contact a physician immediately. Avoid possible shorting.
11. Allow battery to charge for 24 hours before first use.

SAVE THESE INSTRUCTIONS

Installation Instructions

1. Turn off AC power.
2. Using a flat head screwdriver, insert the blade into the two slots and pry off the front cover (see figure 1).
3. Install the lamp heads by snapping them into place.
Note: for ceiling and end mount installation, the lamp heads can be mounted in the forward or rear facing position (see figure 2).
4. Attach the connectors from the lamps to the PCBA (see figure 2).
5. Follow the proper mounting procedure below.

Wall Mount

- a. Remove the back plate from the packaging.
- b. Knock out the proper hole pattern on the back plate, including the center hole, to mount to a standard junction box by supporting the area around the knock outs with two blocks of wood.
- c. Remove the rear cover and diffuser.
- d. Install the back plate on to the unit.
- e. Feed the AC supply leads out through the center hole and make the proper connections (See step 6 and Fig.8).

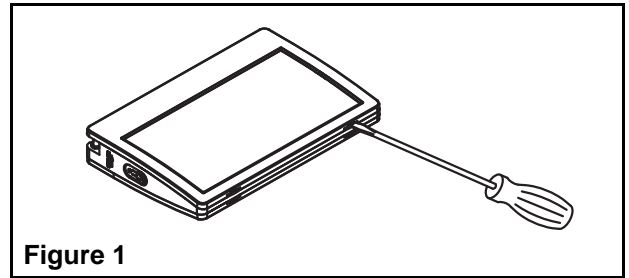


Figure 1

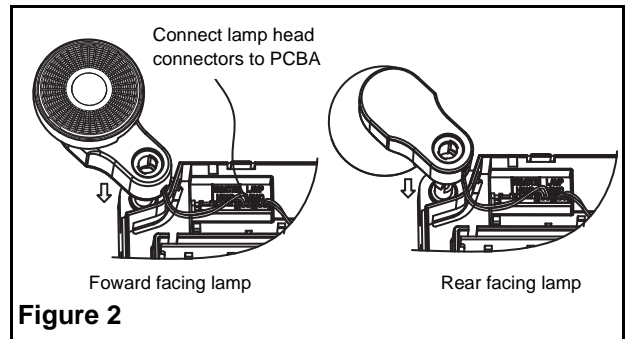


Figure 2

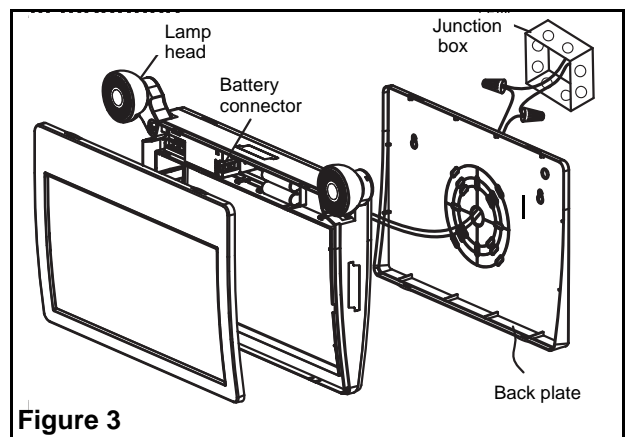


Figure 3

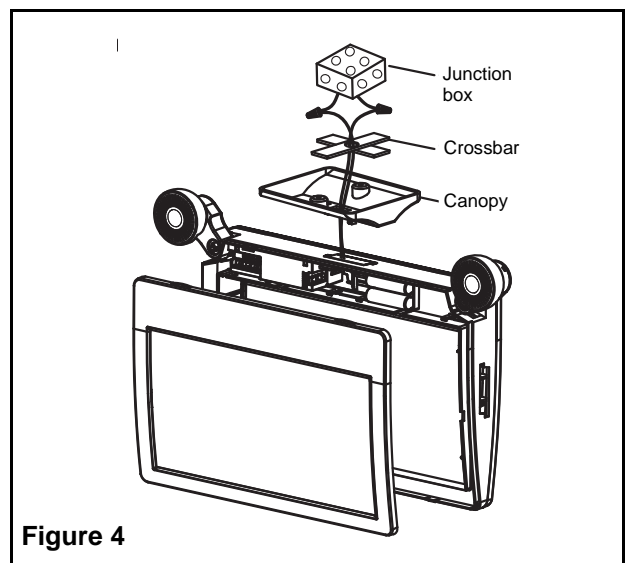


Figure 4

Ceiling or End Mount

- a. Attach crossbar to junction box, set the longer blade of the crossbar to touch the junction box.
 - b. Remove the mounting hole cover from the top or side of the unit depending on your mounting configuration (see figures 4 or 5).
 - c. Install canopy according to mounting configuration (see figure 6).
 - d. Feed the unit wires through the canopy hole and make the proper connections (See step 6 and Fig.8).
6. Make the proper connections (see figure 8):
- a. For 120VAC, connect the black wire (120VAC) and white wire (neutral) to the building utility.
 - b. For 347VAC, connect the red wire (347VAC) and white wire (neutral) to the building utility.

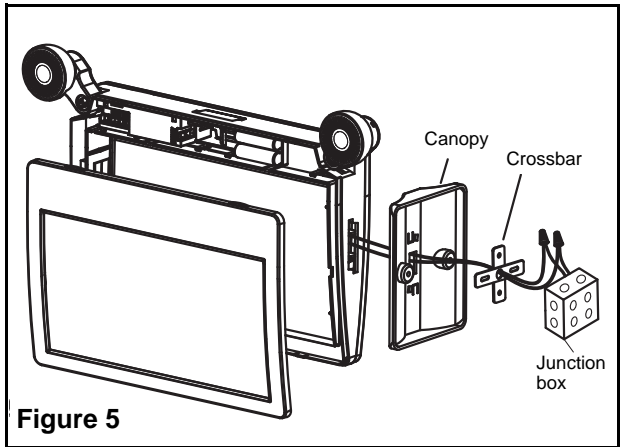


Figure 5

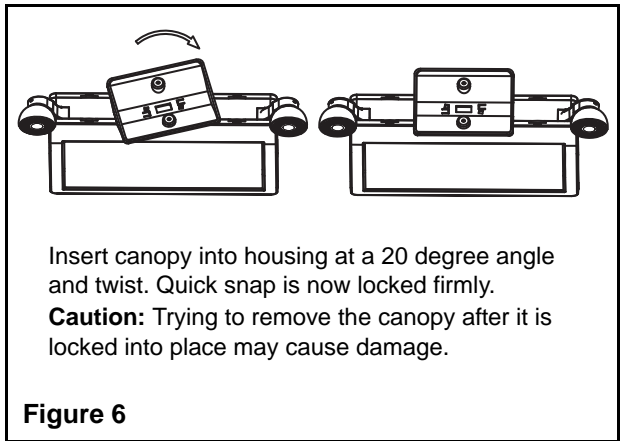


Figure 6

Insert canopy into housing at a 20 degree angle and twist. Quick snap is now locked firmly.

Caution: Trying to remove the canopy after it is locked into place may cause damage.

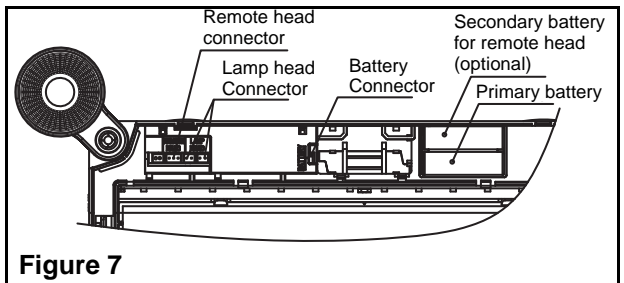


Figure 7

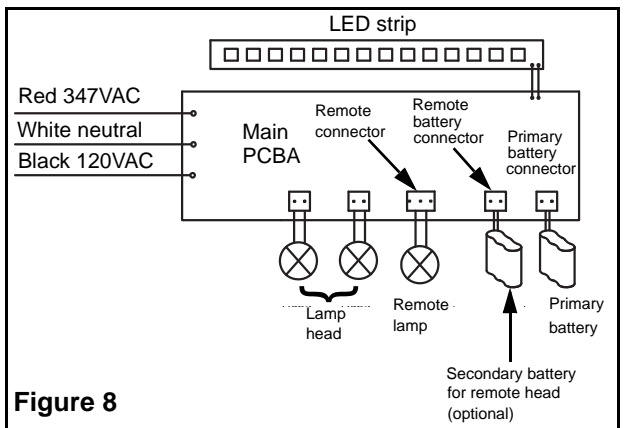


Figure 8

CAUTION! Risk of shock. Cap unused wires. In all cases, use suitable wire nuts rated for the applicable voltage to connect to wires.

- c. Feed wires back into the junction box.
7. Secure the unit to the junction box.
8. Attach battery connector to PCBA, reinstall the front panel and adjust the position of the lamp heads as needed.
9. Install the appropriate pictogram panel into the faceplate by inserting the bottom of the panel into the bottom of the faceplate then insert the top of the panel into the top of the faceplate (see fig.9).

Connecting remote heads

No remote capacity for a signal battery unit.

Remote capacity for a double battery unit is 3.6V 2W maximum. Use wire nuts to connect the remote head wires to the remote wires, yellow is positive(+), purple is negative(-).

Maintenance

None required. Replace the batteries as needed according to ambient conditions. Equipment must be tested regularly in accordance with local codes.

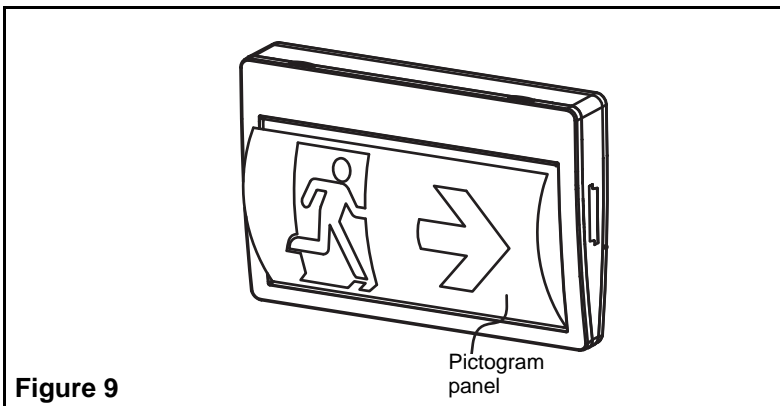


Figure 9