

Type: _____
 Project/Location: _____
 Contractor: _____
 Prepared By: _____
 Date: _____
 Model No.: _____

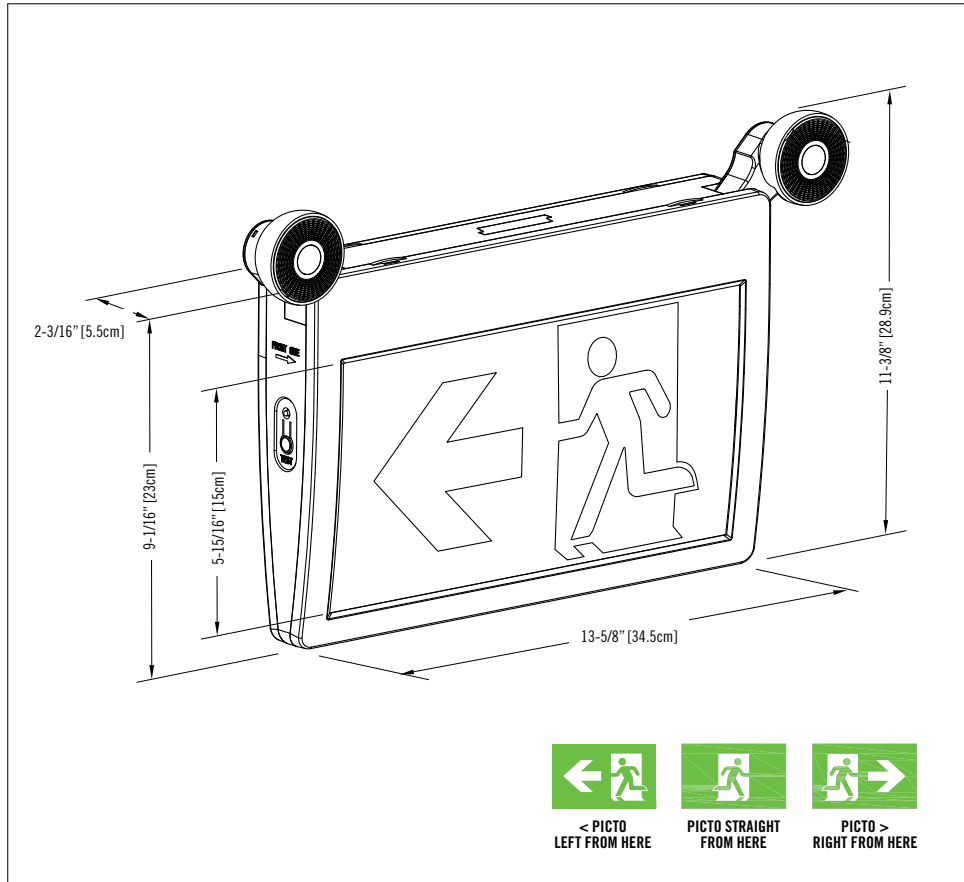


RCSC SERIES

Plastic Pictogram Exit
Combo Unit

DIMENSIONS

Dimensions are approximate and subject to change.



FEATURES

- Energy efficient, long-life white LEDs consuming 4.2W at normal operation
- Dual voltage input capability 120/347VAC
- 3.6V Nickel-Cadmium battery provides minimum 90 minutes of emergency lighting
- Fully adjustable LED glare-free lens
- 3.6V 1W long life LED light source, 6000K
- Adjustable light heads for forward or backward lighting
- Automatic, temperature compensated, pulse type charger
- Low voltage disconnect prevents over discharge of battery
- Automatic brownout protection
- Battery lock-out prevents discharge during installation
- Comes standard with three pictogram legends for direction selection
- Red LED charger monitor
- Injection-molded off-white thermoplastic ABS housing
- Fast and easy installation with snap-together design
- Ceiling, wall or end mount installation
- CSA C22.2 No.141-15 listed
- Comes standard with one (1) year warranty

POWER CONSUMPTION AND UNIT RATING

MODEL	AC SPECS			DC SPECS	
RCSC-2LEDWR	120/347VAC	0.5/0.4 A	4.2/3.6W	Ni-Cd battery	min. 90 minutes

*NOTE: The RCS Family cannot be combined with other Ready-Lite® Products on the same emergency A.C. circuit.

RSC FAMILY		
RSC Exit P. 54	RCSB Battery P. 117	RSCR Remote P. 148

ORDERING INFORMATION

SERIES	VOLTAGE	LAMP
RCSC	Blank= 120/347VAC	-2LEDWR= 2X 1W LED

EXAMPLE: RCSC