

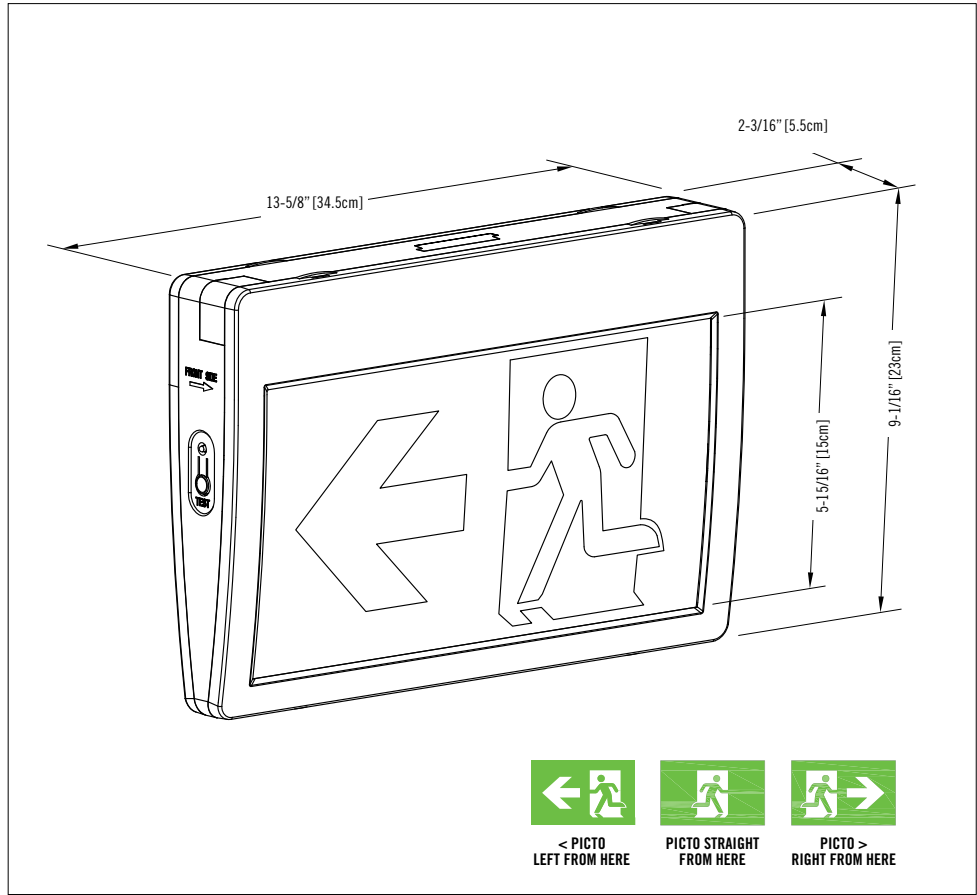
new product



Type: _____
 Project/Location: _____
 Contractor: _____
 Prepared By: _____
 Date: _____
 Model No.: _____

DIMENSIONS

Dimensions are approximate and subject to change.



RCS SERIES

Plastic Pictogram Exit Sign

FEATURES

- Energy efficient, long-life white LEDs consuming 4.2W at normal operation
- Dual voltage input capability 120/347VAC
- Selection of AC/DC, 6 to 24VDC or Self-Powered using a 3.6V Nickel-Cadmium battery
- Automatic, temperature compensated, pulse type charger
- Low voltage disconnect prevents over discharge of battery
- Automatic brownout protection
- Battery lock-out prevents discharge during installation
- Comes standard with three pictogram legends for direction selection
- Red LED charger monitor
- Injection-molded off-white thermoplastic ABS housing
- Fast and easy installation with snap-together design
- Ceiling, wall or end mount installation
- CSA C22.2 No.141-15 listed
- Comes standard with one (1) year warranty

POWER CONSUMPTION AND UNIT RATING

MODEL	AC SPECS			DC SPECS	
AC/DC-remote	120/347VAC	0.5/0.4 A	4.2/3.6W	6 to 24VDC	less than 1.5W
Self-Powered				Ni-Cd battery	min. 90 minutes

*NOTE: The RCS Family cannot be combined with other Ready-Lite® Products on the same emergency A.C. circuit.



ORDERING INFORMATION

SERIES	VOLTAGE
RCS	-U= 120/347VAC, 6 to 24VDC -ISP= 120/347VAC, Self-Powered (90 mins.)

EXAMPLE: RCS-ISP