



# CMPS-L Series

Thermoplastic pictogram exit sign



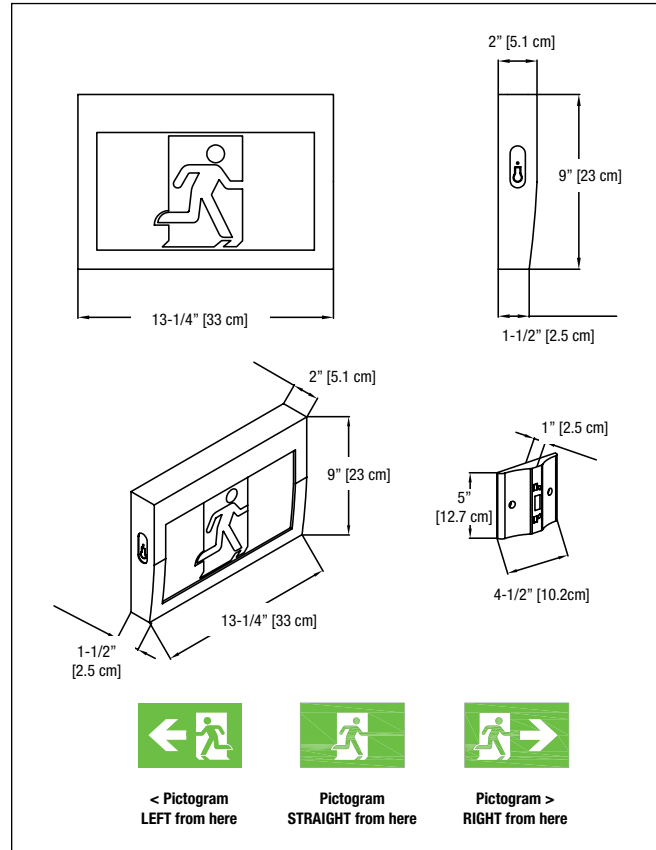
## FEATURES

- Energy efficient, long-life white LEDs consuming 1.5W at normal operation
- 120/277/347VAC Input
- Universal single and double face
- Automatic, temperature compensated, pulse type charger
- Low voltage disconnect prevents over discharge of battery
- Automatic brownout protection
- Battery lock-out prevents discharge during installation
- Comes standard with three pictogram legends for direction selection
- Red LED charger monitor
- Injection-molded off-white thermoplastic ABS housing
- Fast and easy installation with snap-together design
- Ceiling, wall or end mount installation
- CSA C22.2 no.141-10 listed
- Selection of self-powered using a 3.6V Ni-Cd battery and AC model

See warranty details at: [www.tnb.ca/en/brands/lumacell](http://www.tnb.ca/en/brands/lumacell)

## DIMENSIONS

Dimensions are approximate and subject to change.



## POWER CONSUMPTION AND UNIT RATING

SERIES	AC SPECS				
	MODEL		WATTAGE	CURRENT	EFFICIENCY
CM-PS	AC-remote	120V, 50/60 Hz	1.5W	0.01A	0.96PF
		277V, 50/60 Hz	2W	0.01A	0.92PF
		347V, 50/60 Hz	2.4W	0.01A	0.91PF
	Selfpowered	120V, 50/60 Hz	2.5W	0.24A	0.98PF
		277V, 50/60 Hz	3W	0.014A	0.93PF
		347V, 50/60 Hz	3.5W	0.017A	0.92PF

## ORDERING INFORMATION

SERIES	VOLTAGE	BRAND
CM-PS	-AC= 120/277/347VCA -SP= 120/277/347VCA, self-powered (120 mins.)	-L= Lumacell

EXAMPLE: CM-PS-AC-L