

8LMCE Series

Metal Combination Unit



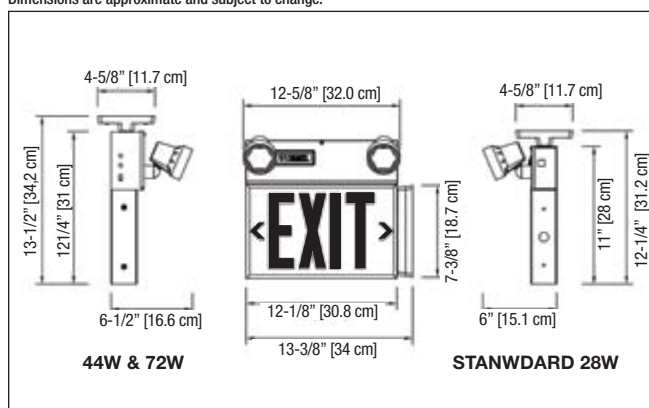
FEATURES

- Dual-input voltages 120/347VAC
- Comes pre-assembled for quick, easy installation
- Universal mounting – end, wall or ceiling
- Easy access to wiring entry for all mounting options
- Canopy mounting system designed specifically for ease of installation
- Universal, field-selectable chevrons (knockout)
- Long-life LED light source of **ALINGAP** technology assures low maintenance cost and is warranted for ten (10) years
- Energy efficient – complete unit consumes less than 5W
- Auto-testing capabilities (specific load requirements)
- Meets or exceeds CSA 22.2 No. 141-15

See warranty details at: www.tnb.ca/en/brands/lumacell

DIMENSIONS

Dimensions are approximate and subject to change.



WIRE GUARDS

460.0080-L	Wall Mount
460.0060-L	Ceiling Mount
460.0060-L	End Mount

ORDERING INFORMATION

	SERIES	# OF HEADS	HEAD STYLE AND WATTAGE	COLOUR	VOLTAGE	CHARGER TYPE	WATTAGE CAPACITY					
							30MIN	1H	1H30	2H	4H	
6 VOLTS	8LMCE= 6V-28W 10LMCE= 6V-44W 7LMCE= 6V-72W	Blank= no heads 1= one head 2= two heads	LD1= MR16 LED, 6V-4W LD2= MR16 LED, 6V-5W	Blank= factory white BK= black SG= grey* * Black heads	Blank= 120/347VAC ZC= 120/277VAC	Blank= standard NEX= NEXUS® system interface* NEXRF= wireless NEXUS® system interface* * 28W & 44W only	Blank= no options GN= green letters TD= time delay (15 minutes) TP= tamper-proof screws* * 990.0119-L= tamper-proof bit (sold separately)					
	12 VOLTS	6LERLMCEU= 12V-36W 5LERLMCEU= 12V-72W	Blank= no heads 1= one head 2= two heads	LD7= MR16 LED, 12V-4W LD9= MR16 LED, 12V-5W LD10= MR16 LED, 12V-6W	Blank= factory white BK= black SG= grey* * Black heads	Blank= 120/347VAC ZC= 120/277VAC	Blank= standard AT= auto-test, audible ATN= auto-test, non-audible NEX= NEXUS® system interface NEXRF= wireless NEXUS® system interface	Blank= no options GN= green legend TD= time delay (15 minutes) TP= tamper-proof screws* * 990.0119-L= tamper-proof bit (sold separately)				

EXAMPLE: 8LMCE2LD1TD

*NOTE: Supplied as single face, see extra faceplates ordering information.

TYPICAL SPECIFICATIONS

Supply and install the **Lumacell® 8LMCE** LED Exit Sign and power pack combination series. The exit housing and faceplates shall be constructed of steel. The Exit Sign shall have a maximum depth of 2-1/2". The faceplate(s) shall come standard with knockout chevrons. The light source for the Exit Sign shall be light-emitting diodes (LED). The LED lamps shall provide illumination in normal and emergency operation and shall be mounted inside the exit housing, not on the face. Red LEDs shall be of **ALINGAP** technology. An LED sensitive diffuser shall be mounted behind the legend to provide the 6" high by 3/4" stroke letters with even illumination. The power pack shall be a completely self-contained emergency unit with its own charger and rechargeable battery. The housing shall be made of steel. The power pack shall include a test switch and high charge pilot light. The equipment shall be designed to furnish exit illumination from the normal AC source. When a power failure occurs the Exit Sign along with the emergency heads shall illuminate for a minimum of 30 minutes. The power available for emergency lights shall be 28W or as otherwise specified.

The heads shall require no tools to adjust and aim. The heads will be of a durable thermoplastic construction and use 6V, 4W lamps or as otherwise specified.

The Exit Sign shall be CSA 22.2 No. 141-15 certified.

The equipment shall be **Lumacell®** Model: _____.

EXTRA FACEPLATES

005406-L	Factory white faceplate + red diffuser	005409-L	Factory white faceplate + green diffuser
005407-L	Black faceplate + red diffuser	005410-L	Black faceplate + green diffuser
005408-L	Silver grey faceplate + red diffuser	005411-L	Silver grey faceplate + green diffuser

POWER CONSUMPTION AND UNIT RATING

MODEL	AC SPECS	WATTAGE CAPACITY				
		30MIN	1H	1H30	2H	4H
Exit Sign Module	Less than 1W	-	-	-	-	-
8LMCE	0.15/0.05A	28	16	12	9	-
10LMCE	0.15/0.05A	44	26	18	15	7
7LMCE	0.15/0.05A	72	42	30	24	12
5LERLMCEU	Less than 5W	72	42	30	24	12
6LERLMCEU	Less than 5W	36	21	15	12	6