

3LSR400 Series

Extruded Aluminum Combo Unit – 6/12V



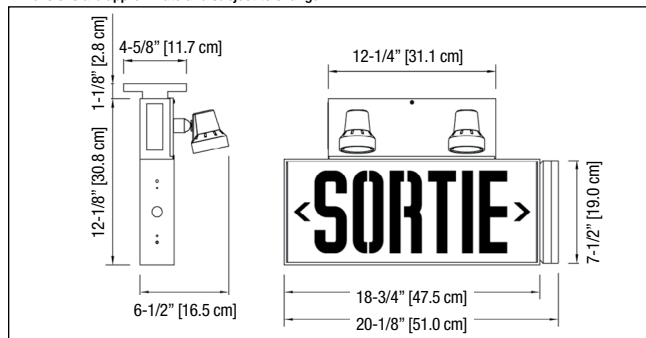
FEATURES

- Rugged extruded aluminum housing with a maximum depth of 2-1/2"
- Extruded aluminum faceplate
- Standard field-selectable knockout chevrons
- Long-life LED light source of **ALINGAP** technology assures low maintenance cost and is warranted for ten (10) years
- NEXUS® compatible (for more information on NEXUS®, please consult your sales representative)
- Completely self-contained unit with rechargeable sealed Lead-Acid battery
- Provides a minimum of 30 minutes of illumination (lamp heads and exit sign) in emergency mode
- Meets or exceeds CSA 22.2 No.141-15

See warranty details at: www.tnb.ca/en/brands/lumacell

DIMENSIONS

Dimensions are approximate and subject to change.



TYPICAL SPECIFICATIONS

Supply and install the **Lumacell® 3LSR400** LED "SORTIE" Exit Sign with power pack combination series. The exit housing and the faceplate(s) shall be constructed of rugged extruded aluminum. The Exit Sign shall have a maximum depth of 2-1/2" (6.35cm). The faceplate(s) shall come standard with knockout chevrons.

The light source shall be light emitting diodes (LED). Red LED technology shall be **ALINGAP**. The LED lamps shall provide illumination in normal and emergency operation and shall be mounted inside the exit housing, not on the face. An LED-sensitive diffuser shall be mounted behind the legend to provide the 6" (15cm) high by 3/4" (1.9cm) stroke letters with even illumination.

The power pack shall be a completely self-contained emergency unit with its own charger and rechargeable battery. The housing shall be made of steel. The unit shall be designed to furnish exit illumination from the normal AC source. When a power failure occurs, the mounted heads along with the Exit Sign are illuminated in emergency mode for a minimum of 30 minutes. The power pack is furnished with a test switch and high charge pilot light and is available as either 18, 36 or 72W. The heads shall require no tools to adjust and aim. The heads will be constructed of polycarbonate and include 6 volt, 4 watt LED lamps or as otherwise specified.

The Exit Sign shall be CSA 22.2 No.141-15 certified

The equipment shall be **Lumacell®** Model: _____

WIRE GUARDS

460.0081-L	Wall Mount
460.0060-L	Ceiling Mount

POWER CONSUMPTION AND UNIT RATING

MODEL	AC SPECS	WATTAGE CAPACITY					
		30MIN	1H00	1H30	2H00	4H00	
Sortie Sign Module	120/347VAC	Less than 2W	-	-	-	-	
1LSR		0.15/0.05A	18	10	7	6	3
3LSR		0.15/0.05A	36	21	15	12	6
5LSR		0.18/0.07A	72	42	30	24	12
6LSR		0.18/0.07A	36	21	15	12	6
7LSR		0.15/0.05A	72	42	30	24	12

ORDERING INFORMATION

SERIES	FACES / MOUNTING	APPROVAL	# OF HEADS	HEADS STYLE AND WATTAGE	COLOUR	VOLTAGE	OPTIONS
1LSR = 6V-18W ¹ 3LSR = 6V-36W 5LSR = 12V-72W 6LSR = 12V-36W 7LSR = 6V-72W	450 = single face, universal mounting 460 = double face, universal mounting	C860	Blank = no heads 1 = one head 2 = two heads	LD1 = MR16 LED, 6V-4W LD2 = MR16 LED, 6V-5W LD7 = MR16 LED, 12V-4W LD9 = MR16 LED, 12V-5W LD10 = MR16 LED, 12V-6W	Blank = factory white BA = brushed aluminum ¹ BK = black TA = textured aluminum ¹	Blank = 120/347VAC ZC = 277VAC	AT = auto-test ¹ ATN = auto-test non-audible ¹ Blank = no options NEX = NEXUS® system interface ¹ NEXRF = wireless NEXUS® system interface ¹ TD = time delay
¹ Available in 6V only.				Other styles available. Consult your sales representative.	¹ Black Heads		¹ Not available for 6V-72W Not all options available with NEXUS® system. Please consult your sales representative.

EXAMPLE: 1LSR450C8602LD1