

## XFM Series

### Explosion Proof Lighting

Class I	Division 1, Groups C and D
Class I	Division 2, Groups A, B, C and D
Class II	Division I and 2, Groups E, F and G
Class III	

- Class I Zone 1, Groups IIB and IIA
- UL Listed (UL1598) for Marine Locations
- NEMA 4X
- NFPA Standard 33 and NEC Article 516
- UL844
- CSA C22.2 No. 137

Contact your Thomas & Betts sales representative to verify classification



#### Standard Features

- Factory sealed, lightweight cast natural aluminum
- 5 different 1/2" NPT hubs entries at each end
- Center ballast placement for better balanced and low profile
- Available with 2 lamp in 2ft and 4ft
- Available in 3 or 4 lamp in 4ft
- One piece painted aluminum reflector
- Suitable for use inside a spray booth

#### Construction

- Cast natural aluminum
- .189" wall Borosilicate glass tubes

#### Electrical

- Available with T5, T5HO, T8, T8HO
- 120V (T8HO), 277V (T8HO) and 347V (T5HO & T8 only)

#### Options

- Wall / Ceiling Mount Kit (4 Lamps)
- Wire guard
- Polycarbonate shield
- 93% reflective premium specular reflector insert

#### Accessories

- Wall / Ceiling and Drop Mount Kit

#### T-Ratings

Operating Temperature Codes Based on 40° Ambient					
Fixture	Class I, Div 1 Groups C&D	Class I, Div 2 Groups A, B, C&D	Class II, Div 1 Groups E,F&G	Class III	Simultaneous Presence Class I & II
XFM	T6 = 85° C	T4 = 135° C	T4 = 135° C	T4 = 135° C	T4 = 135° C

#### Catalog Numbering System

ex:

XFM	T5HO	4	2	34	-SR
↓	↓	↓	↓	↓	↓
1	2	3	4	5	6

#### 1 - Fixture Series

XFM= Hazlux Linear Class I Div 1

#### 2 - Lamp Type (lamps included)

T5 = T5 Fluorescent

T5HO = T5HO Fluorescent

T8 = T8 Fluorescent

T8HO = T8HO Fluorescent

#### 3 - Lamp Quantity

2 = 2 lamp configuration

3 = 3 lamp configuration

4 = 4 lamp configuration

#### 4 - Length (Ft.)

2 = 2 Ft.

4 = 4 Ft.

#### 5 - Voltage

UN = Universal voltage 120 - 277, 50/60Hz

34 = 347 Volt

#### 6 - Options

WG = Stainless Steel Wire Guard

P = Polycarbonate Shield

SR = Premium Specular Reflector

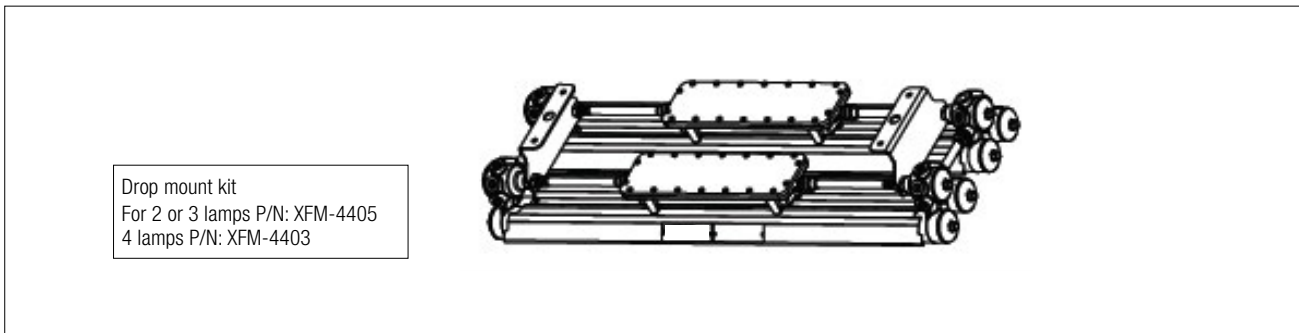
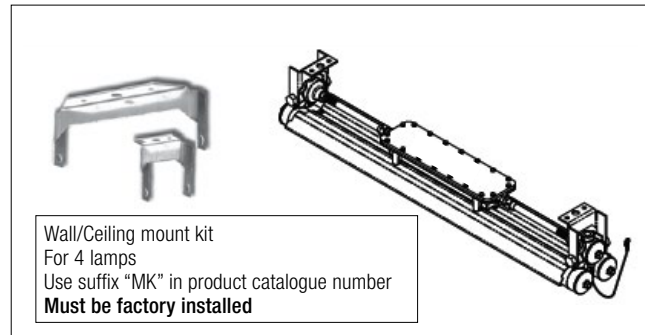
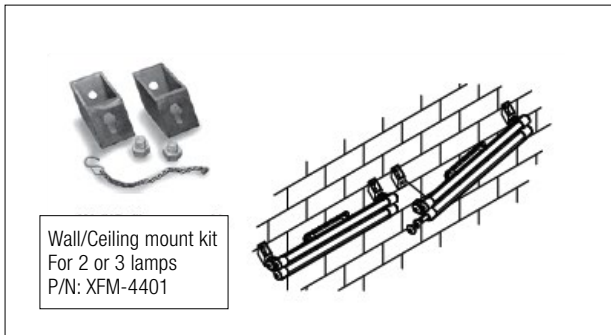
MK = Wall / Ceiling Mount Kit (4 Lamps)

### Weights

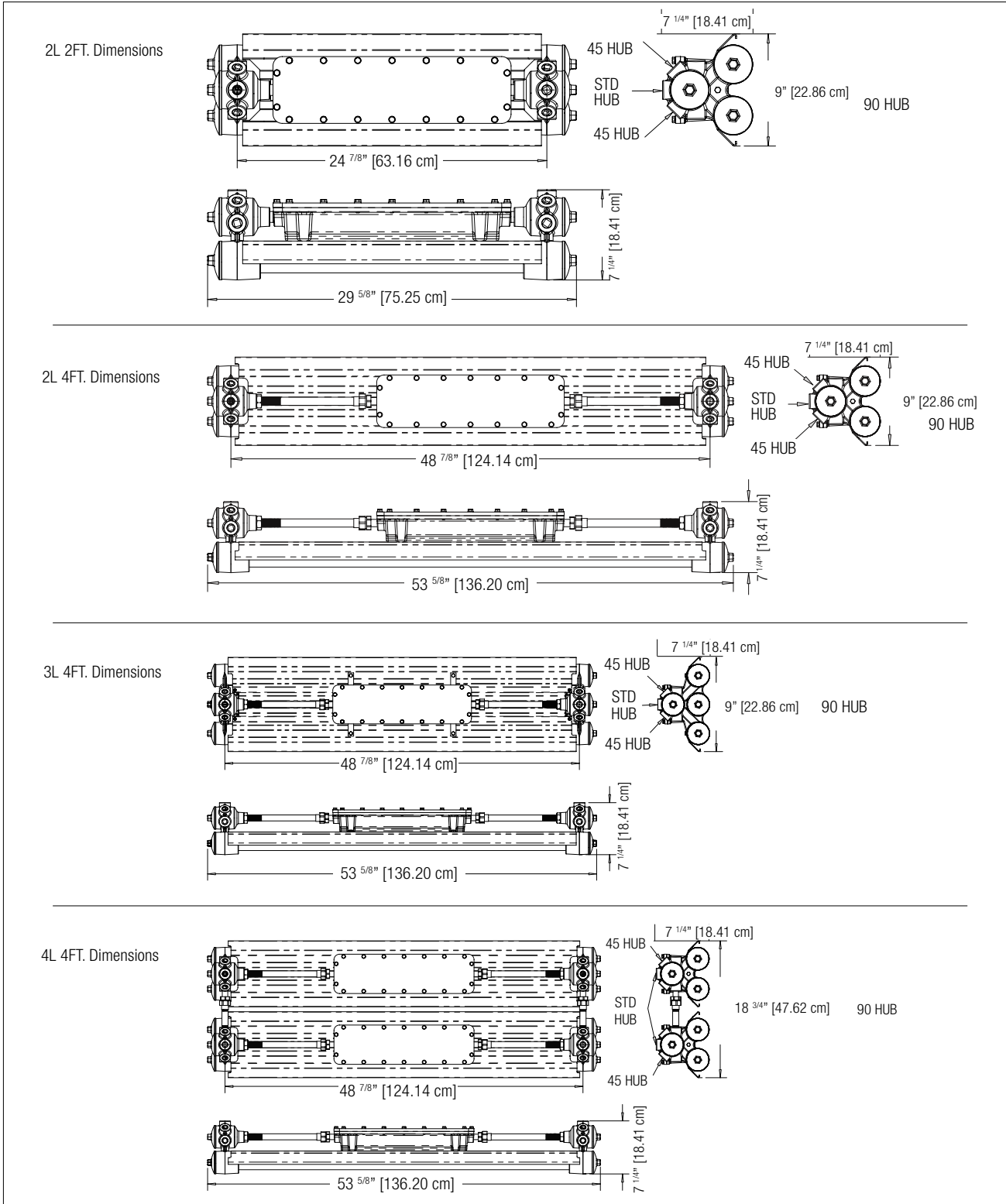
Configuration	Fixture Weight	Shipping Weight
2L - 2 Ft.	30 lbs	33 lbs
2L - 4 Ft.	40 lbs	43 lbs
2L - 4 Ft. (EB)	57 lbs	60 lbs
3L - 4 Ft.	45 lbs	52 lbs
4L - 4 Ft.	80 lbs	84 lbs

Lamp Wattage			
2FT.	Watts	4FT.	Watts
T5	14 Watt	T5	28 Watt
T5HO	24 Watt	T5HO	54 Watt
T8	17 Watt	T8	32 Watt
T8HO	N.A.	T8HO	44 Watt

### Mounting Options



### Dimensions (Nominal)



### Photometrics

#### IES Indoor Report

Photometric Filename : XFMT844UN.IES

#### Description Information

IESNA: LM-63-1995

[TEST] THOMAS & BETTS PHOTOMETRIC REPORT

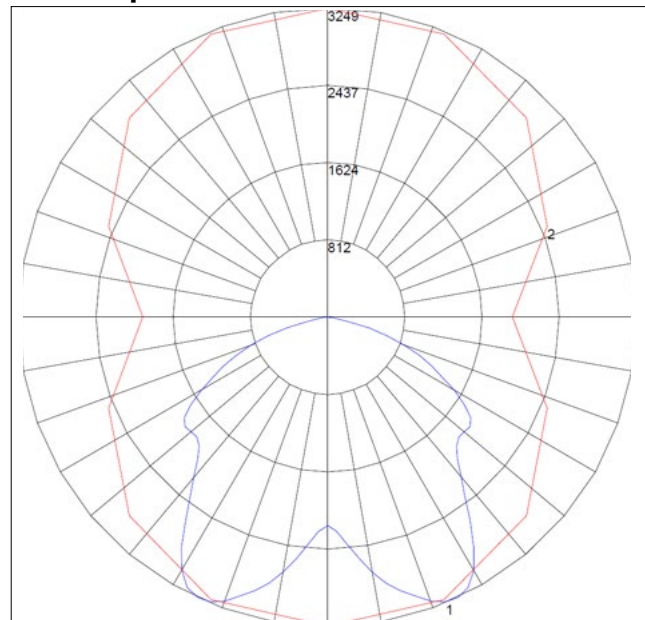
[LUMINAIRE] PROJECT: XFMT844UN CAST ALUMINUM BALLAST HOUSING AND HUB ASSEMBLIES. WHITE POWDER C ALUMINUM REFLECTORS. CYLINDRICAL GLASS LAMP ENCLOSURES.

LAMP TUBES ORIENTED HORIZONTALLY. LAMP F32T8/TL850 2950 LUMENS

#### Characteristics

Lumens Per Lamp	2850 (4 lamps)
Total Lamp Lumens	11400
Luminaire Lumens	9633
Total Luminaire Efficiency	84 %
Luminaire Efficacy Rating (LER)	62
Total Luminaire Watts	156
Ballast Factor	1.00
CIE Type	Direct
Spacing Criterion (0-180)	1.42
Spacing Criterion (90-270)	1.48
Spacing Criterion (Diagonal)	1.52
Basic Luminous Shape	Rectangular w/Sides
Luminous Length (0-180)	4.34 ft
Luminous Width (90-270)	1.53 ft
Luminous Height	0.28 ft

#### Polar Graph



Maximum Candela = 3248.9, Located at Horizontal Angle = 90, Vertical Angle = 25

#1 - Vertical Plane Through Horizontal Angles (90 - 270) (Through Max. Cd.)

#2 - Horizontal Cone Through Vertical Angle (25) (Through Max. Cd.)

#### Zonal Lumen Summary

Zone	Lumens	% Lamp	%Fixt
0-20	1048.45	9.20	10.90
0-30	2249.54	19.70	23.40
0-40	3736.08	32.80	38.80
0-60	6879.98	60.40	71.40
0-80	9249.22	81.10	96.00
0-90	9632.88	84.50	100.00
10-90	9366.11	82.20	97.20
20-40	2687.63	23.60	27.90
20-50	4282.04	37.60	44.50
40-70	4513.03	39.60	46.90
60-80	2369.24	20.80	24.60
70-80	1000.1	8.80	10.40
80-90	383.66	3.40	4.00
90-110	0.00	0.00	0.00
90-120	0.00	0.00	0.00
90-130	0.00	0.00	0.00
90-150	0.00	0.00	0.00
90-180	0.00	0.00	0.00
110-180	0.00	0.00	0.00
0-180	9632.88	84.50	100.00

Total Luminaire Efficiency = 84.50%

#### Coefficients of Utilization - Zonal Cavity Method

Effective Floor Cavity Reflectance 0.20

RC	80				70				50				30				0			
	70	50	30	10	70	50	30	10	50	30	10	50	30	10	50	30	10	0		
0	101	101	101	101	98	98	98	98	94	94	94	90	90	90	86	86	86	84		
1	90	86	82	78	88	84	80	77	80	77	74	77	74	72	86	86	86	84		
2	81	74	67	62	79	72	66	61	69	64	60	66	62	58	63	60	57	55		
3	74	64	56	50	72	63	56	50	60	54	49	58	52	48	55	51	47	38		
4	67	56	48	42	65	55	48	42	53	46	41	51	45	41	49	44	40	38		
5	62	50	42	36	60	49	41	36	47	40	35	45	40	35	44	39	34	33		
6	57	45	37	31	55	44	36	31	42	36	31	41	35	30	40	34	30	28		
7	53	41	33	27	51	40	32	27	38	32	27	37	31	27	36	31	27	25		
8	49	37	29	24	47	36	29	24	35	29	24	34	28	24	33	28	24	22		
9	46	34	27	22	44	33	26	22	31	26	21	30	25	21	30	25	21	20		
10	43	31	24	20	42	31	24	20	30	24	19	29	23	19	28	23	19	18		