

New product

JMLC-BLD Series

Steel, compact and 6V



Features

- “Built-in” 3W LED heads
- Compact steel cabinet with corrosion-resistant undercoating
- Quick and easy installation – pre-assembled cordset, no batteries or board to remove before installation
- Universal spider knockout pattern for junction box mounting
- Fully automatic solid-state charger with test switch and AC-on pilot light
- Sealed dust-proof transfer relay circuit and low-voltage disconnect
- Long-life, maintenance-free sealed
- Standard input 120 VAC with line cord installed
- 120/347 VAC without line cord
- Certified CSA C22.2 No.141-15
- **Warranty details at: www.emergi-lite.ca**



Typical specifications

The contractor shall install the **Emergi-Lite® JMLC-BLD Series** battery units. The emergency lighting system shall consist of fully automatic equipment with two emergency lighting heads. The unit shall be rated 6 V with a capacity of 27 W for 30 minutes of emergency operation.

The charger shall be factory set with a charging voltage tolerance of $\pm 1\%$ to enable a longer battery life. The metal cabinet shall be made of steel with anti-corrosion undercoating. The unit shall be CSA certified to C22.2 no.141-15.

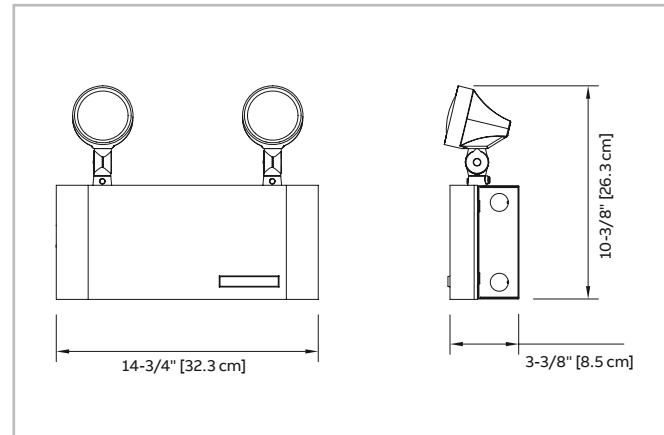
The unit shall be **Emergi-Lite®** model: _____.

Wire guards

Ordering code	Description
460.0080-E	Wall mount

Dimensions

Dimensions are approximate and subject to change.



Power consumption and unit rating

Model	AC specs	30 min	1H00	1H30	Wattage capacity		
					2H00	4H00	
06JMLC27	120/347 VAC	0.06/0.02 A	27	15	11	9	-

Ordering information

Series	Capacity	AC voltage	# of heads	Head style/wattage
06JMLC= 6V	27= 27W	-2= 277VAC input -3= 120/347VAC input Blank= 120VAC input comes with linecord	/1= One head /2= Two heads	BLD= Built-in LED

Example: 06JMLC27/2BLD