

 **EMERGI-LITE®**

**HIGH-PERFORMANCE
INDUSTRIAL EMERGENCY
LED LIGHTING**

EHP & EHPR SERIES



ON THE PROJECT, ON THE SHELF, ON THE JOB

Thomas & Betts
A Member of the ABB Group

THE EHP SERIES OFFERS MANY ADVANTAGES IN AN INDUSTRIAL ENVIRONMENT

EHP SERIES



Illuminates wide, open areas such as warehouses, manufacturing facilities and industrial corridors

Up to 25 ft mounting height with 120 ft center-to-center spacing

The **EHP Series** is designed for industrial applications with high ceilings, open spaces, and low reflectance. Dual LED lighting heads provide an average of 1fc; Min: 0.1fc along a 6-ft wide illumination path as per NBC. At a mounting height of 10 ft, the **EHP Series** provides 140 ft center-to-center spacing. At 25 ft high, the **EHP Series** provides an impressive 120 ft center-to-center spacing.

Stands up to harsh environments with standard NEMA-4X housing and cold weather (-40°C/-40°F) option.

In areas where liquid or windblown dust are a concern, the standard NEMA-4X housing offers industrial grade protection in applications such as hose-down areas. The cold weather option (CW) is ideal for cold storage facilities and other freezing environments. All outside hardware is stainless steel for maximum durability.

Mounts easily on walls, poles, columns, struts, and in a vertical position.

A separate mounting bracket allows easy installation on poles or columns. All units may be wired from the top or side.



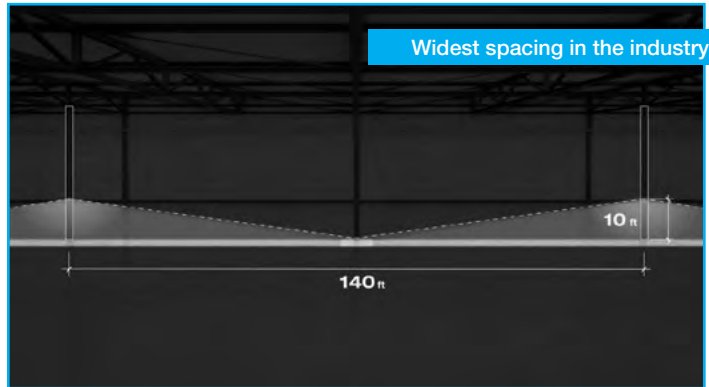
Reduces battery testing so that maintenance personnel can focus on revenue-generating machinery

High-efficiency LEDs out-perform halogen lamps and use battery units or fewer battery units and more remotes.

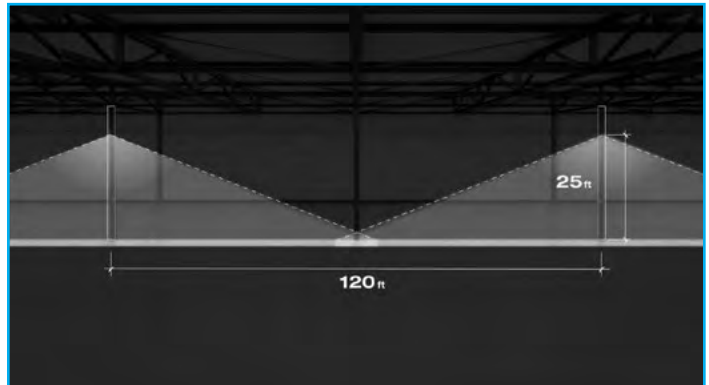
A 15W LED provides 1300 lumens, outperforming a 50W MR-16IR halogen. Such a high lumen output with low energy requirements means that less power is needed when using LEDs. One 150W battery unit (EHP24150 model) can power four remote units with 15W dual-head LEDs, giving an excellent remote to battery unit ratio. Fewer battery units makes installation easier and reduces ongoing testing maintenance requirements for a lower total cost of ownership. All battery units have auto-diagnostics optional and an infrared remote test control. The universal remote test control allows each battery unit to be tested from up to 30 ft away without climbing a ladder for faster, easier compliance with required testing. Longlasting LEDs can outlive a building without ever needing replacing.



Industrial space, 200ft x 200ft x 30ft ceiling height.
Reflectances 10 / 10 / 10

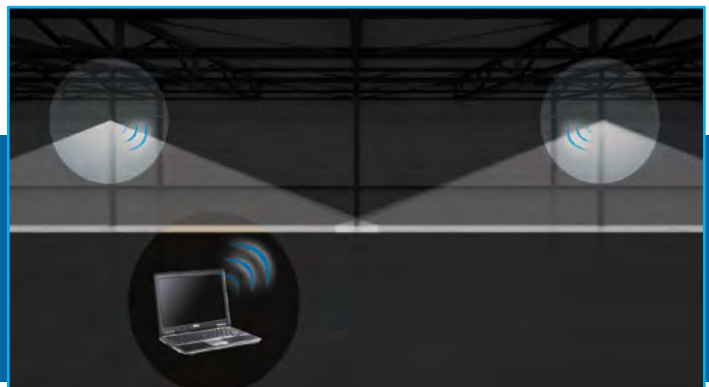


Installed at 10ft in the center of the space,
the spacing is at 140ft



Installed at 25ft in the center of the space,
the spacing is at 120ft

HIGH-PERFORMANCE INDUSTRIAL EMERGENCY LED LIGHTING



Eliminate the testing requirements with Nexus®

new product

EHP Series

NEMA-4X Rated



Type: _____

Project/Location: _____

Contractor: _____

Prepared By: _____

Date: _____

Model No.: _____

FEATURES

- Fiberglass grey housing with captive screws. It is designed for heavy-duty industrial applications: indoors, outdoors, hose-down areas, cold-storage facilities etc
- NEMA-4X protection grade against liquids and windblown dust
- High ambient temperature up to 50°C [122°F] and optional cold-weather -40°C to 50°C [-40°F to 122°F]
- High temperature Lead-Calcium Battery
- High-efficacy LED emergency heads outperform traditional 50W halogen lamps
- Innovative head design: four-LED and dual-driver provide illumination even in case of unexpected component failure
- Product features stainless steel exterior hardware
- Simple and easy to install on walls, poles, columns or struts. For vertical installation on poles or columns use mounting bracket catalogue number: PMK1-E (sold separately)
- May be wired from top or side (see drawing for position)
- Standard infrared remote test control included in all models: allows to test the equipment without the need to climb a ladder. Functional up to a distance of 30 ft. Universal, one Remote Test Control may test all units on the job.
- Optional Audible and Non-Audible Auto-Diagnostic and Auto-Test
- Optional NEXUS® central monitoring system
- Meets or exceeds CSA C22.2 No. 141-15
- 5 Year limited warranty

See warranty details at: www.tnb.ca/en/brands/emergi-lite



REMOTE TEST CONTROL



TYPICAL SPECIFICATIONS

Supply and install **Emergi-Lite® EHP Series** of battery unit equipment. The unit enclosure shall have a compression-molded fiberglass construction and shall be equipped with a hinged, overlapping cover. The cover shall include a 3/16" wide rubber gasket and shall fasten with two stainless-steel captive screws. The enclosure shall have lateral flanges with holes for easy installation on the wall and also include two water-tight plugs of size 1/2" NPT for vertical and horizontal conduit and wire access. The emergency lighting heads shall be installed at the bottom of the cabinet and have the electrical cable passing through the swivel via water-tight bushings. The heads shall be made of Die-Cast aluminum and have a flat square lens made of UV-stabilized clear polycarbonate. The lens shall be sealed with a rubber gasket and be fixed with an aluminum frame and 6 (six) tamper-proof screws. Each head shall include four (4) LEDs and two independent LED drivers with electrical connections allowing for lighting even in case of unexpected component failure. Each head shall have an input voltage range of 12 - 24VDC and a constant power regulation, providing stable illumination during variations of the battery discharge voltage.

The equipment shall have a dual AC input rated 120/347VAC 60Hz and a charger module equipped with micro-controller and solid-state transfer relay. The charger shall perform functions like: AC brownout detection, battery lockout, low voltage battery disconnect, and provide protection against overcurrent, short-circuit, and DC reverse polarity.

Auto-Diagnostic option shall execute automatic tests for one minute every 30 days, 10 minutes every sixth month and 30 minutes every 12 months. In case of functional failure detection the equipment pilot light shall change color from green to red and signal a service alarm with specific flashing codes: battery or lamp disconnect, battery failure, charger failure, lamp failure. A label installed on the cover shall contain the legend with diagnostic codes. The equipment shall come standard with an infrared remote test control.

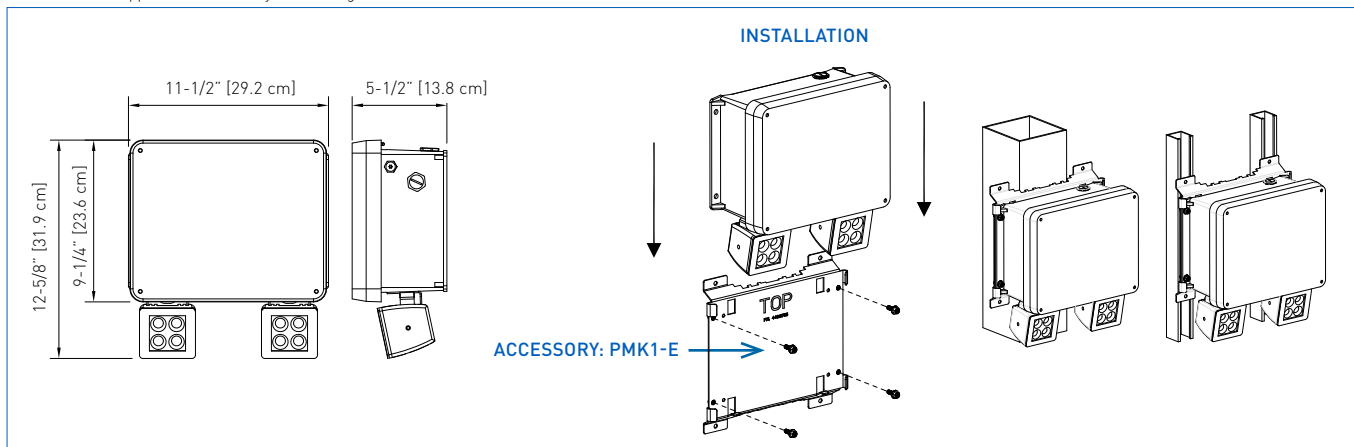
The equipment shall be rated NEMA-4X for hose down applications. The equipment shall be listed to cUL standards for Damp and Wet Locations.

Certified to CSA C22.2 No.141-15

Unit shall be **Emergi-Lite®** model number _____.

DIMENSIONS

Dimensions are approximate and subject to change.



new product

EHP Series

NEMA-4X Rated



Type: _____
 Project/Location: _____
 Contractor: _____
 Prepared By: _____
 Date: _____
 Model No.: _____

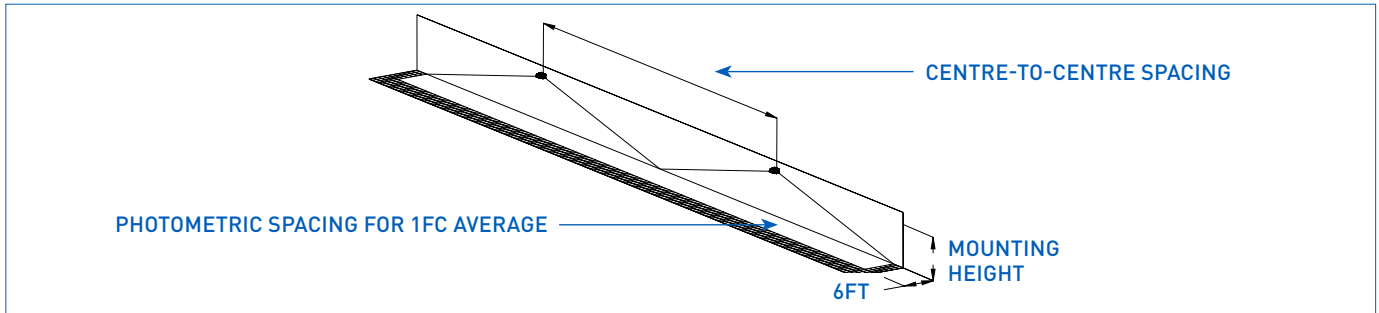
PHOTOMETRY PERFORMANCE

Whether installed indoors or outdoors, the **EHP Series** of LED emergency lights deliver a stable and consistent illumination on the path of egress for a wide range of mounting heights. Depending on the application, one may select and specify among three types of performance for the right power consumption, lumen output and cross reference to traditional incandescent emergency lights.

LED LAMP	POWER (W)	TOTAL LUMENS	OUTPERFORMS THE INCANDESCENT
L6	6W	565	35W PAR36, MR16 Halogen
L10	10W	1030	50W PAR36, MR16 Halogen
L15	15W	1320	50W MR16-IR Halogen

Industrial environment: wall mounted equipment, reflectances: 10/10/10; 6ft wide illumination path. 200 ft X 200 ft X 30 ft space. The illumination level meets all requirements of the NBC; Average: 1fc; Min: 0.1fc.

MOUNTING HEIGHT	SPACING CENTRE-TO-CENTRE (FEET)		
	LAMP L6 / 6W, 565LM	LAMP L10 / 10W, 1000LM	LAMP L15 / 15W, 1300LM
10 ft	80	110	140
15 ft	70	105	135
20 ft	60	100	130
25 ft	50	95	120



POWER CONSUMPTION AND UNIT RATING

MODEL	AC SPECS			WATTAGE CAPACITY				
	120VAC	277VAC	347VAC	30 MIN	1H00	1H30	2H00*	4H00*
1275	0.20A	0.10A	0.07A	75	40	30	24*	15*
24150	0.37A	0.18A	0.12A	150	80	60	48*	30*
1275-CW	0.40A	0.25A	0.15A	75	40	30	24*	15*
24150-CW	0.50A	0.25A	0.20A	150	80	60	48*	30*

*Note: the cold-weather option is only rated for maximum 90 minutes.

ORDERING INFORMATION

SERIES	UNIT CAPACITY	# OF HEADS	LED LAMP TYPE	FUNCTIONS	OPTIONS
EHP= high performance battery	1275= 12V-75W 24150= 24V-150W	0= No Heads 1= One head 2= Two heads	L6= 12V, 24V-6W L10= 12V, 24V-10W L15= 12V, 24V-15W	Blank= no options U= auto-diagnostic, audible UN= auto-diagnostic, non-audible NEX= NEXUS® wired system interface* NEXRF= NEXUS® wireless system interface* * For more information, please consult your sales representative.	CW= cold-weather -40°C [-40°F] D3= time delay (15 minutes) RF1= radio frequency interference filter (120/277VAC) RF3= radio frequency interference filter (347VAC)* -2= 277VAC, 60Hz input * Not available with CW option. PMK1-E= pole mounting bracket (sold separately)

EXAMPLE: EHP12752L6URFI



EHPR Series

NEMA-4X Rated
Remote Fixture

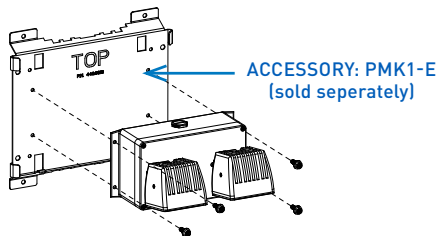
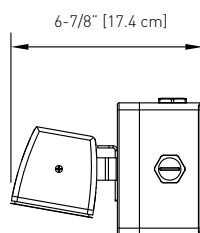
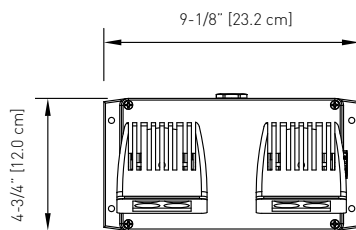
Type: _____
 Project/Location: _____
 Contractor: _____
 Prepared By: _____
 Date: _____
 Model No.: _____

FEATURES

- Die-Cast grey housing and heads designed for heavy-duty industrial applications: indoors, outdoors, hose-down areas, cold-storage facilities etc
 - Can be installed in wide temperature conditions: -40°C to 55°C (77°F to 131°F)
 - NEMA-4X protection grade against liquids and windblown dust
 - High-efficacy LED emergency heads outperform traditional 50W incandescent lamps
 - Innovative head design: four-LED and dual-driver provide illumination even in case of unexpected component failure
 - Simple and easy to install on walls, poles, columns or struts. For vertical installation on poles or columns, use mounting bracket catalogue number: PMK1-E (sold separately)
 - Meets or exceeds CSA C22.2 No. 141-15
 - 5 Year limited warranty
- See warranty details at: www.tnb.ca/en/brands/emergi-lite

DIMENSIONS

Dimensions are approximate and subject to change.



ORDERING INFORMATION

SERIES	# OF HEADS	LED LAMP TYPE
EHPR= high performance remote	1= single 2= double	L6W= 12V, 24V-6W L10W= 12V, 24V-10W L15W= 12V, 24V-15W PMK1-E= pole mounting bracket (sold separately)

EXAMPLE: EHPR2L10W

TYPICAL SPECIFICATIONS

Supply and install **Emergi-lite® EHPR Series** remote emergency lighting fixtures. These remote fixtures will consist of either single or double lamp configurations. The housing shall be made of grey Die-Cast aluminum, be designed for heavy duty industrial applications with temperatures ranging from -40°C to 55°C [-40°F to 131°F]. The remote fixture can easily be installed on walls, poles, columns or struts. The heads shall be Die-Cast and have a flat square lens made of UV stabilized clear polycarbonate. Each head shall include four (4) high efficacy LED and two independent drivers.

The remote fixture shall fully adjustable without tools, be NEMA-4X rated and be cUL listed to CSA C22.2 No.141-15.

The remote unit shall be **Emergi-Lite®** model: _____.

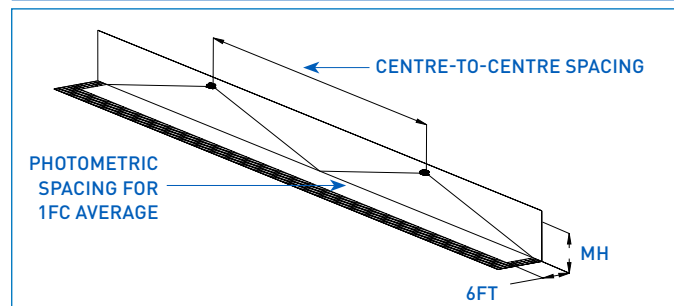
PHOTOMETRY PERFORMANCE

Whether installed indoors or outdoors, the **EHPR Series** of LED emergency lights deliver a stable and consistent illumination on the path of egress for a wide range of mounting heights. Depending on the application, one may select and specify among three levels of lumen output. See cross reference to traditional incandescent emergency lights below.

LED LAMP	POWER (W)	TOTAL LUMENS	OUTPERFORMS THE INCANDESCENT
L6	6W	565	35W PAR36, MR16 Halogen
L10	10W	1030	50W PAR36, MR16 Halogen
L15	15W	1320	50W MR16-IR Halogen

Industrial environment: wall mounted equipment, reflectances: 10/10/10; 6-ft wide illumination path. Illumination as per NBC; Average: 1fc; Min: 0.1fc.

MOUNTING HEIGHT	SPACING CENTRE-TO-CENTRE (FEET)		
	LAMP L6 / 6W, 565LM	LAMP L10 / 10W, 1000LM	LAMP L15 / 15W, 1300LM
10 ft	80	110	140
15 ft	70	105	135
20 ft	60	100	130
25 ft	50	95	120



EASY INSTALLATION IN INDUSTRIAL SPACES

Mounts easily on walls, struts, poles, columns, and in a vertical position

Standard mounting brackets included; optional pole mount bracket (PMK1-E) accommodates any square or round post or column.

Supports battery unit weight on pole mount bracket

The battery unit slides into the pole mount bracket so that it stays in position and the weight of the unit is supported during installation.

Uses the same brackets for battery units and remotes

No need to mark which unit goes where for the bracket installers; both units fit the same brackets.

Holds door position with grip hinge

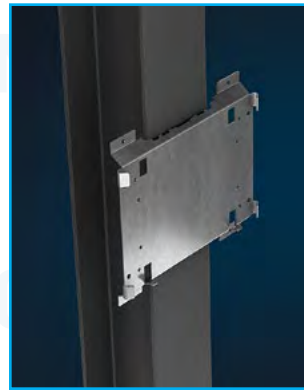
The battery unit access door will hold its position at any angle for easier, hands-free wiring.

Closes and locks door with captive screws

Captive screws close and lock the battery unit door for a perfect NEMA- 4X seal.

Allows wiring from the top or side

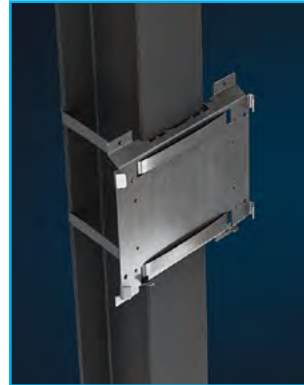
Both the battery unit and remotes feature side wings for different mounting surfaces and feature top and side conduits. All connections are done inside the unit or remote.



Put mounting bracket in place.



Insert straps into holes.



Tighten up.



Insert unit into installed mounting bracket and...



... slide down.



Screw unit on mounting bracket. (Hardware supplied)



Unscrew access door screws.



Lift up cover. It stays in place due to the grip system hinge.

 **EMERGI-LITE®**

ON THE PROJECT, ON THE SHELF, ON THE JOB

**A GLOBAL MANUFACTURER OF
EMERGENCY LIGHTING AND EXIT SIGNS
FOR THE SPECIFICATION MARKETS,
EMERGI-LITE® PROVIDES PRODUCTS
USING INNOVATIVE TECHNOLOGIES
DESIGNED FOR PERFORMANCE,
RELIABILITY AND COST EFFICIENCY TO
MEET THE HIGHEST STANDARDS IN THE
INDUSTRY.**

www.emergi-lite.ca

All information and specifications contained in this flyer are subject to change due to engineer design, errors and omissions. Illustrations and diagrams within this flyer may vary from actual products.

© 2017. Thomas & Betts Limited. All rights reserved. Printed in Canada 01/17/1000.
Order no. EL-EHPFLYER-E